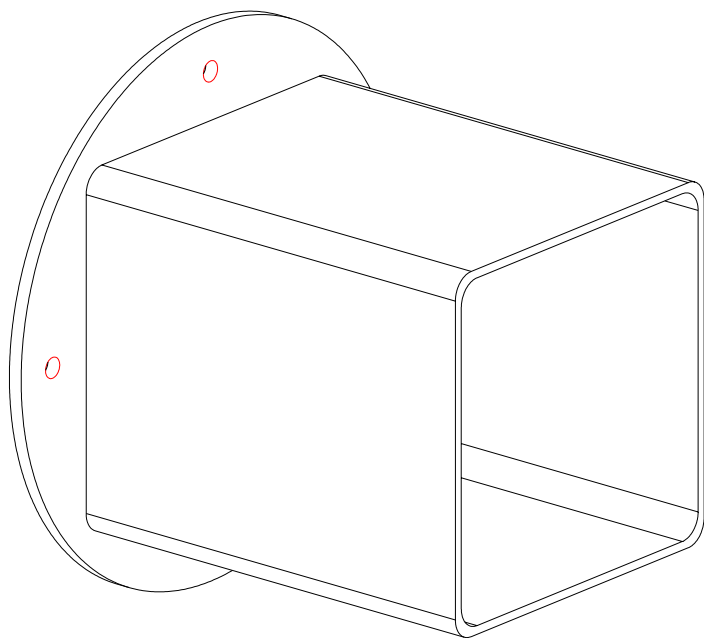


NOTES: UNLESS OTHERWISE NOTED

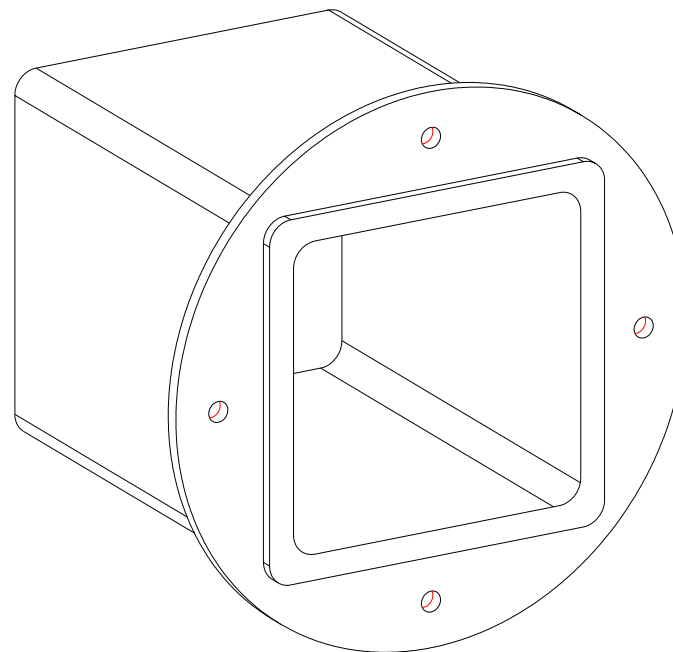
1. MACHINED SURFACE ROUGHNESS 64
O-RING GROOVES AND SURFACES 32
2. REMOVE ALL BURRS/SHARP CORNERS

BILL OF MATERIAL

NO.	REQ'D	REF DRW	DESCRIPTION	MATERIAL
N/A	1	SG5-016A	FP SNOOT	ALU 6061-T6



ISOVIEW 3: SCALE FULL



ISOVIEW 4: SCALE FULL

PLOT: 10/19/99

SG5-001B
NEXT ASSY

REVDATE: N/A	REVISION: N/A
DATE: 05/18/98	INSTITUTE FOR ASTRONOMY 2680 WOODLAWN DR. HONOLULU, HI 96822
DESIGN: STAHLBERGER	
DRAWN: STAHLBERGER	INSTRUMENT: SPEX - CROSS DISPERSED SPECTROGRAPH
APPR'D: J. RAYNER	PART NAME: FP SNOOT
TOLERANCES	
X.X	+/- .015
X.XX	+/- .005
X.XXX	+/- .002
ANGLE	+/- 30 min
FRACTION	+/- 1/32
DRW NO: SG5-016A	SCALE: NOTED
SIZE: A	JOS NO: 725
SHEET: 2 OF 2	