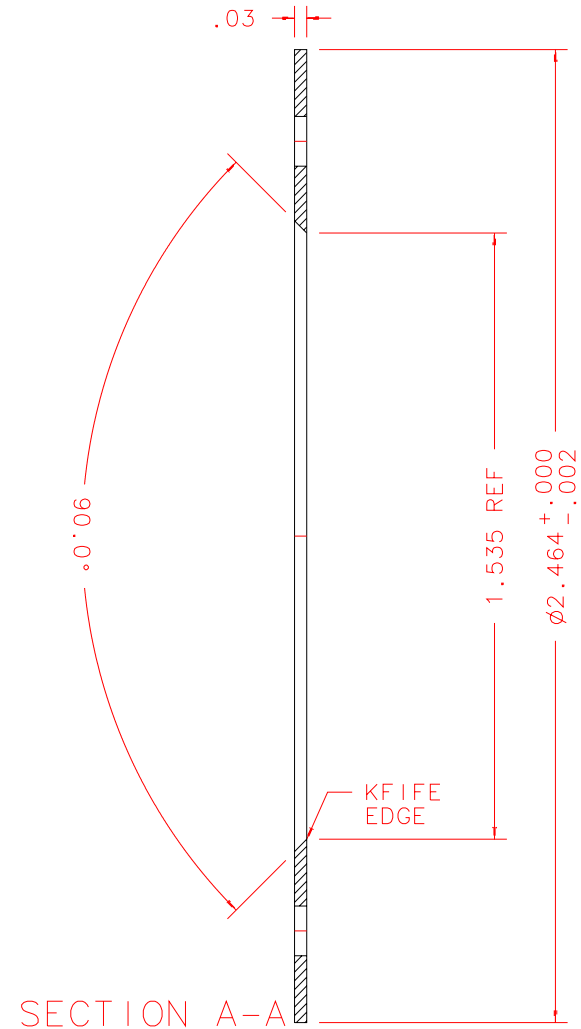
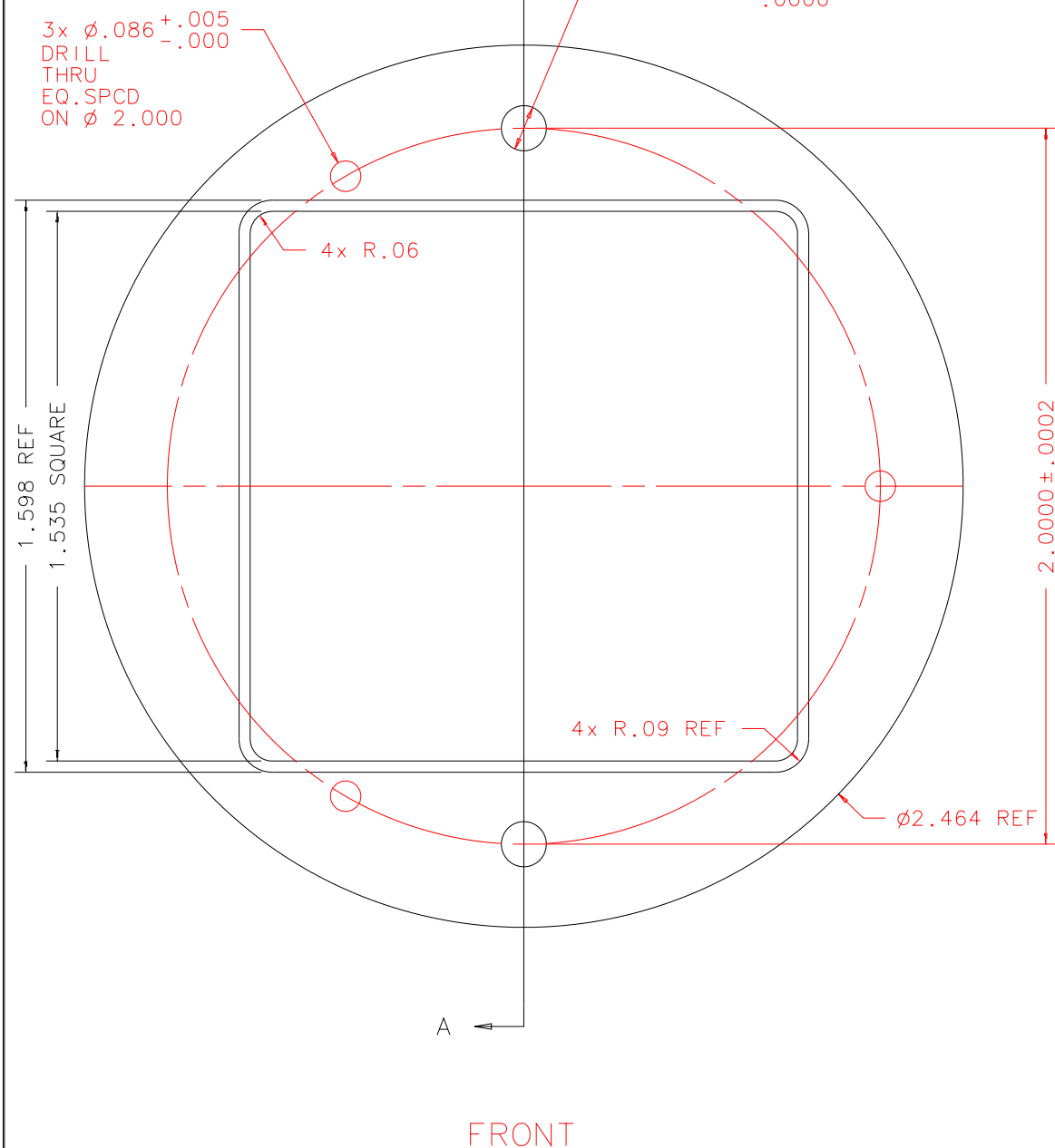


NOTES: UNLESS OTHERWISE NOTED

1. MACHINED SURFACE ROUGHNESS 64  
O-RING GROOVES AND SURFACES 32
2. REMOVE ALL BURRS/SHARP CORNERS

BILL OF MATERIAL

NO.	REQ'D	REF DRW	DESCRIPTION	MATERIAL
N/A	1	SG5-017A	FP BAFFLE	ALU 6061-T6



SECTION A-A

FRONT

REVDATE: 02/26/99	REVISION: DIM 1.535 WAS .768
REVDATE: N/A	REVISION: N/A
DATE: 06/15/98	<b>INSTITUTE FOR ASTRONOMY</b> 2680 WOODLAWN DR. HONOLULU, HI 96822
DESIGN: STAHLBERGER	
DRAWN: STAHLBERGER	INSTRUMENT: SPEX - CROSS DISPERSED SPECTROGRAPH
APPR'D: J. RAYNER	PART NAME: FP BAFFLE
<b>TOLERANCES</b>	
X.X	+/- .015
X.XX	+/- .005
X.XXX	+/- .002
ANGLE	+/- 30 min
FRACTION	+/- 1/32
DRW NO: SG5-017A	SCALE: 2:1
SIZE: A	JOS NO: 725
SHEET: 1 OF 1	

PLOT:10/19/99

SG5-001B  
NEXT ASSY