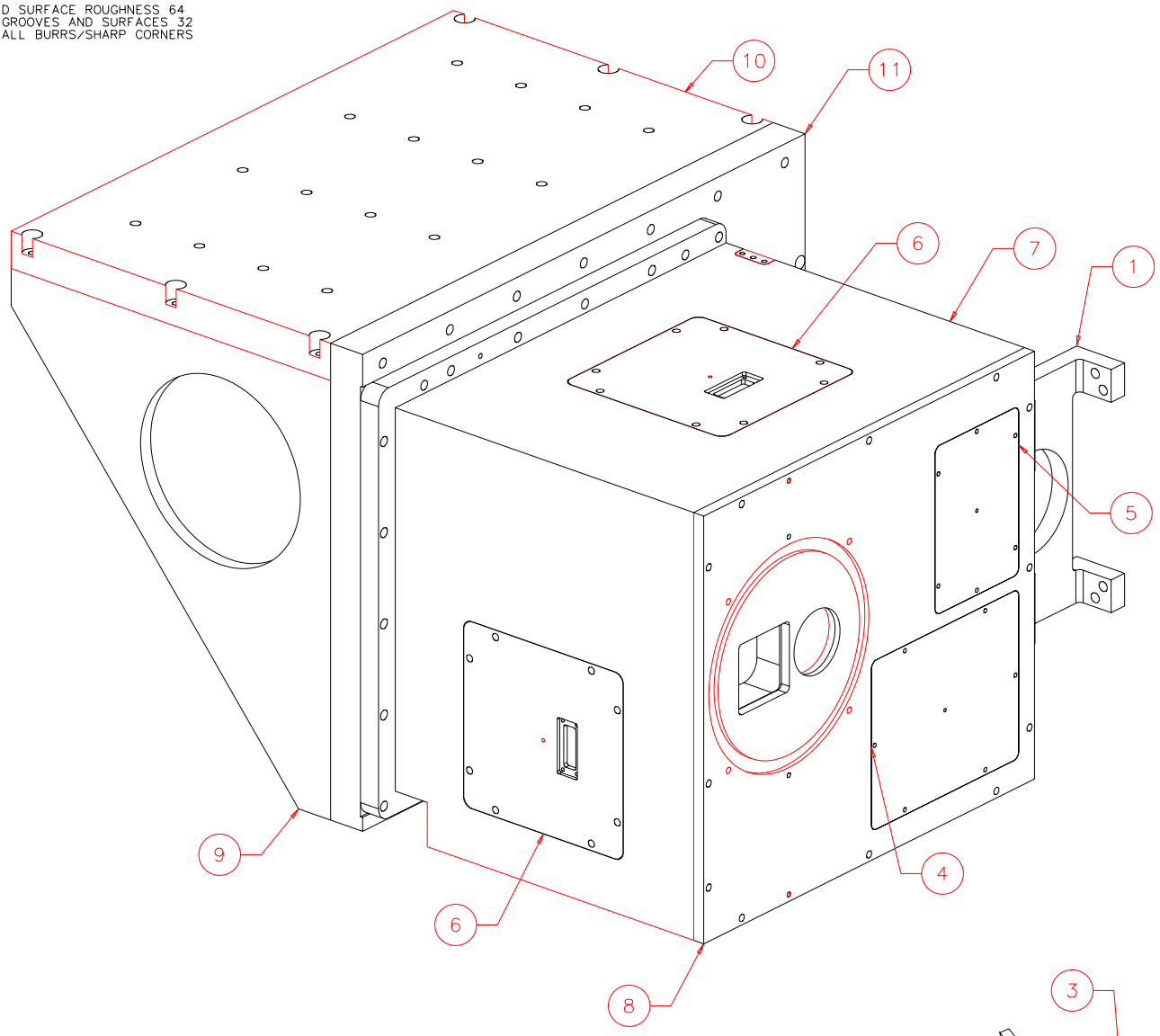
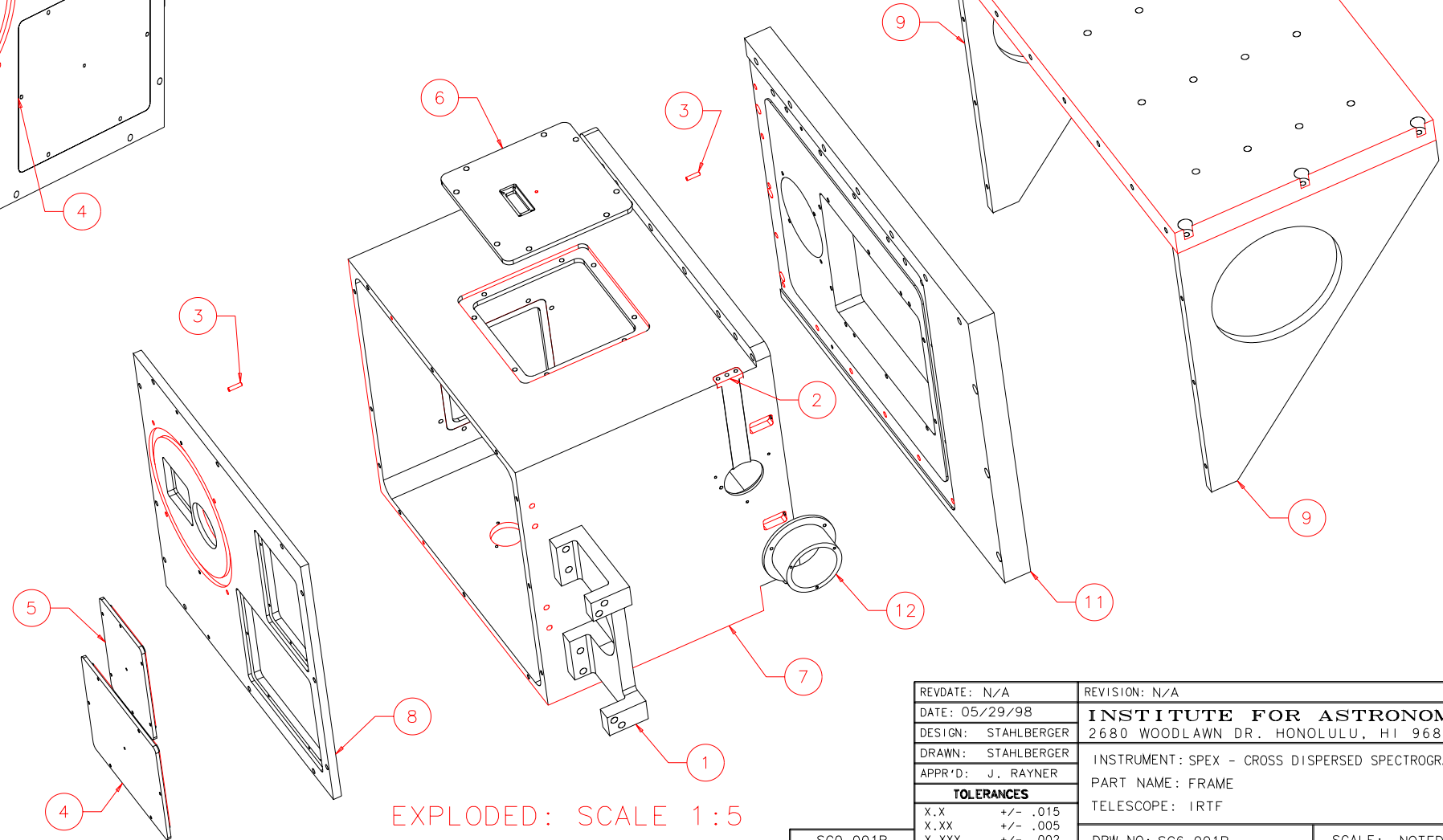


NOTES: UNLESS OTHERWISE NOTED
 1. MACHINED SURFACE ROUGHNESS 64
 O-RING GROOVES AND SURFACES 32
 2. REMOVE ALL BURRS/SHARP CORNERS



ISOVIEW 1: SCALE 1:4



EXPLODED: SCALE 1:5

BILL OF MATERIAL				
NO.	REQ'D	REF DRW	DESCRIPTION	MATERIAL
N/A	1	SG6-001B	FRAME	N/A
1	QTY	SG6-012A	BRIDGE PLATE	ALU 6061-T6
2	1	SG6-013A	DOVETAIL SLIDE	HARD BRASS
3	4	N/A	DOWEL PIN D14-10(BERG)	STAINLESS
4	1	SG6-014B	EXTERNAL ACCESS COVER1	ALU 6061-T6
5	1	SG6-015B	EXTERNAL ACCESS COVER2	ALU 6061-T6
6	2	SG6-016A	HALL ACCESS COVER K-MIRROR	ALU 6061-T6
7	1	SG6-017B	ROTATOR FRAME	ALU 6061-T6
8	1	SG6-018B	ROTATOR FRAME COVER	ALU 6061-T6
9	2	SG6-019B	TRUSS MOUNT JIG GUSSET	ALU 6061-T6
10	1	SG6-020B	TRUSS MOUNT JIG LEG	ALU 6061-T6
11	1	SG6-021B	TRUSS MOUNT JIG PLATE	ALU 6061-T6
12	1	SG6-022A	Z-POSITION SLIT JIG	ALU 6061-T6

REVDATE: N/A	REVISION: N/A
DATE: 05/29/98	INSTITUTE FOR ASTRONOMY
DESIGN: STAHLBERGER	2680 WOODLAWN DR. HONOLULU, HI 96822
DRAWN: STAHLBERGER	INSTRUMENT: SPEX - CROSS DISPERSED SPECTROGRAPH
APPR'D: J. RAYNER	PART NAME: FRAME
TOLERANCES	TELESCOPE: IRTF
X.X +/- .015	
X.XX +/- .005	
X.XXX +/- .002	
ANGLE +/- 30 min	
FRACTION +/- 1/32	
DRW NO: SG6-001B	SCALE: NOTED
SIZE: B	JOS NO: 725
	SHEET: 1 OF 1