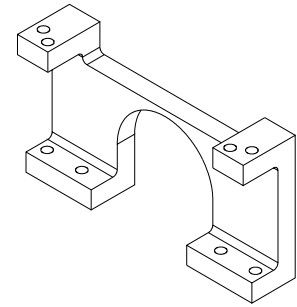
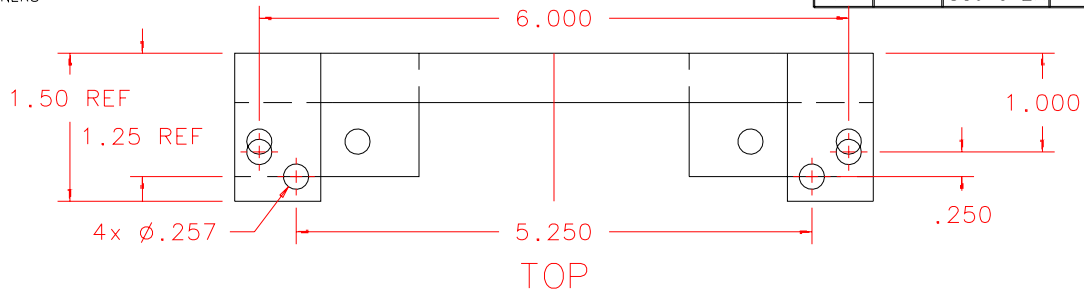


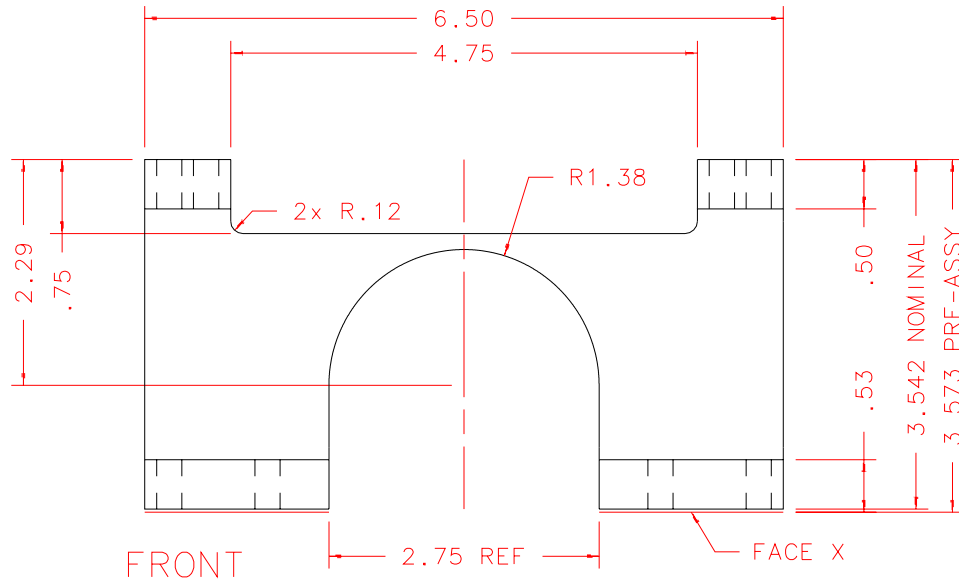
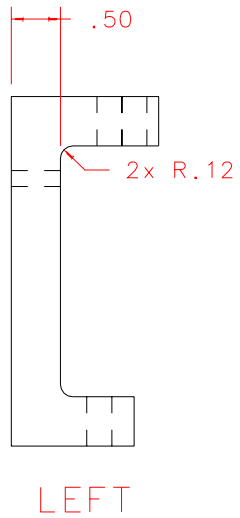
NOTES: UNLESS OTHERWISE NOTED

1. MACHINED SURFACE ROUGHNESS 64
O-RING GROOVES AND SURFACES 32
2. REMOVE ALL BURRS/SHARP CORNERS

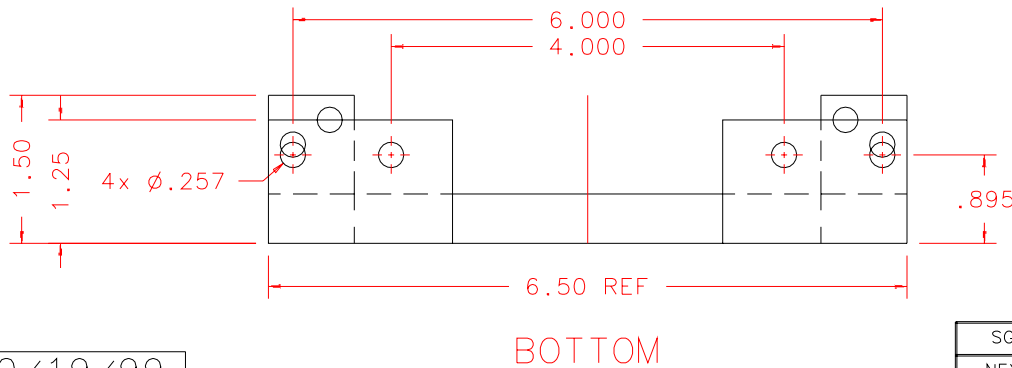
BILL OF MATERIAL				
NO.	REQ'D	REF DRW	DESCRIPTION	MATERIAL
N/A	1	SG6-012A	BRIDGE PLATE	ALU 6061-T6



ISOVIEW5
SCALE 1/4



NOTE:
THIS PART TO BE
FITTED IN PLACE
AT TIME OF
ASSEMBLY.
ADJUST BY
MACHINING
FACE X IN
FRONT VIEW
AS NEEDED.



REVDATE: N/A	REVISION: N/A	
DATE: 04/27/98	INSTITUTE FOR ASTRONOMY 2680 WOODLAWN DR. HONOLULU, HI 96822	
DESIGN: STAHLBERGER		
DRAWN: STAHLBERGER		
APPR'D: J. RAYNER		
TOLERANCES		INSTRUMENT: SPEX - CROSS DISPERSED SPECTROGRAPH
X.X	+/- .015	PART NAME: BRIDGE PLATE
X.XX	+/- .005	TELESCOPE: IRTF
X.XXX	+/- .002	DRW NO: SG6-012A
ANGLE	+/- 30 min	SCALE: 1:2
FRACTION	+/- 1/32	SIZE: A
		JOS NO: 725
		SHEET: 1 OF 1

PLOT: 10/19/99

SG6-001B
NEXT ASSY