

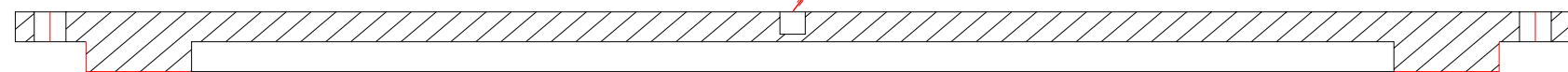
NOTES: UNLESS OTHERWISE NOTED

1. MACHINED SURFACE ROUGHNESS 64
O-RING GROOVES AND SURFACES 32
2. REMOVE ALL BURRS/SHARP CORNERS

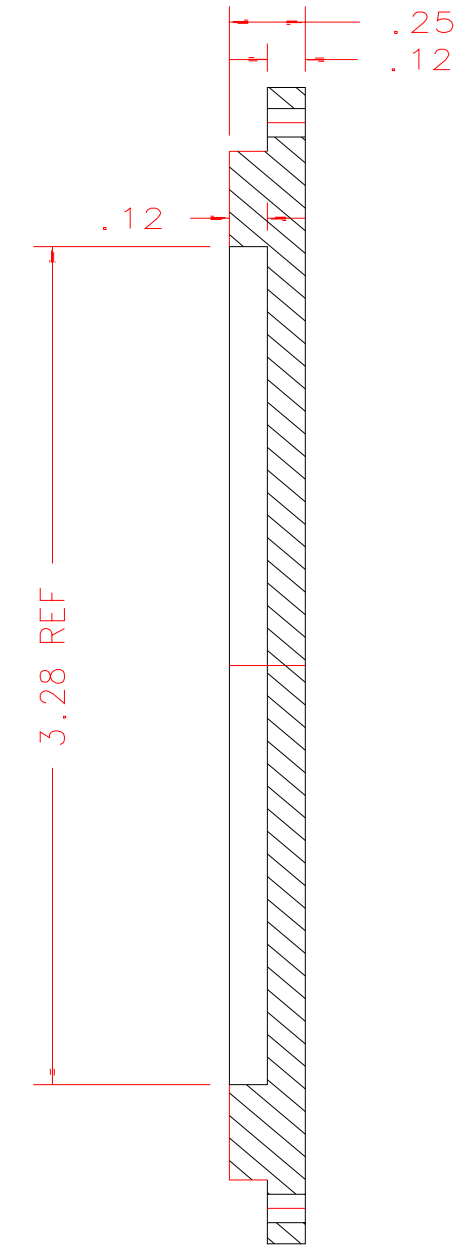
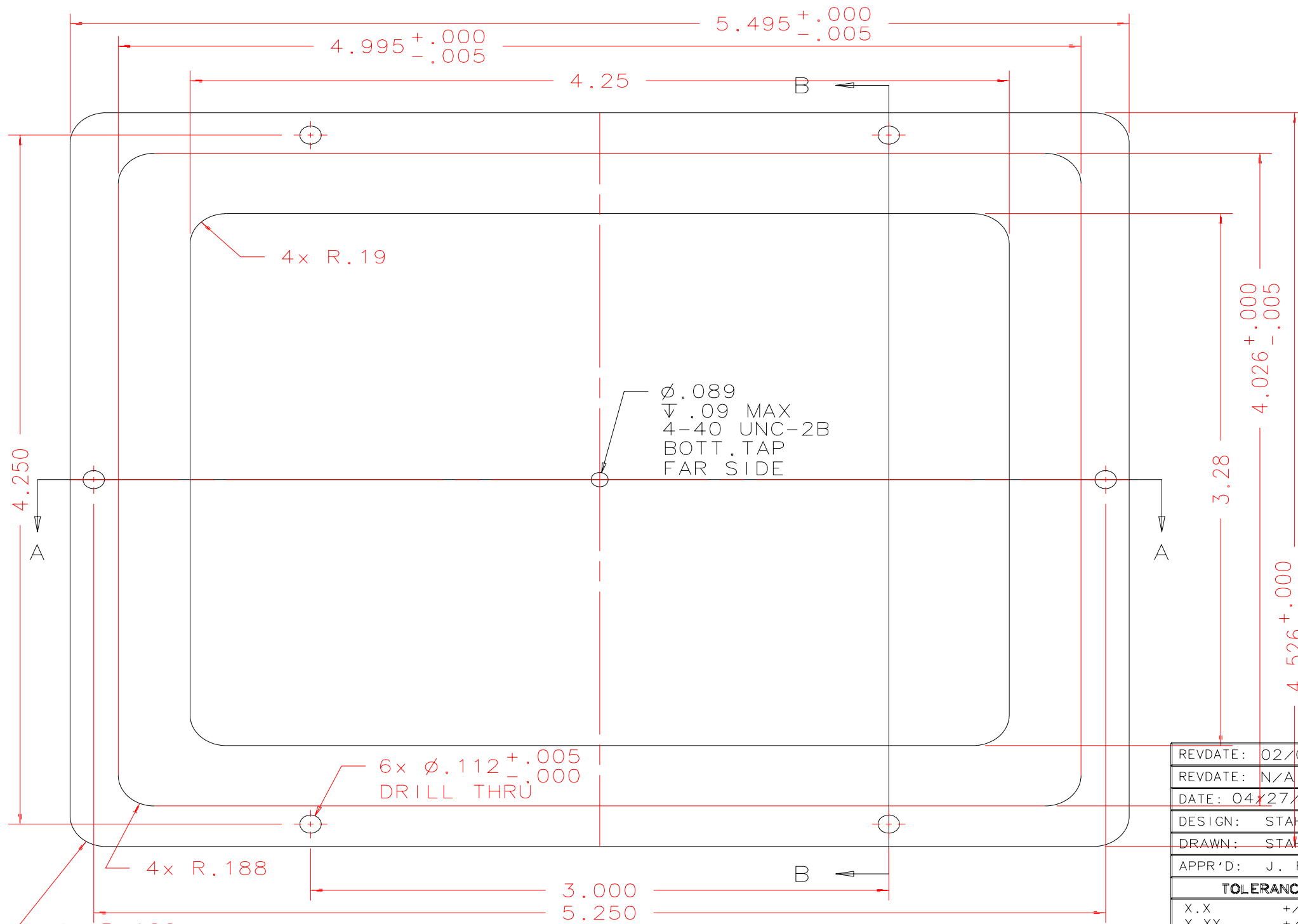
BILL OF MATERIAL

NO.	REQ'D	REF DRW	DESCRIPTION	MATERIAL
N/A	1	SG6-014A	EXTERNAL ACCESS COVER1	ALU 6061-T6

POLISH ONE SURFACE TO 10 MICRON FINISH



SECTION A-A



SECTION B-B

FRONT

REVDATE: 02/06/99	REVISION: ADD 4-40 TAPPED HOLE
REVDATE: N/A	REVISION: N/A
DATE: 04/27/98	INSTITUTE FOR ASTRONOMY
DESIGN: STAHLBERGER	2680 WOODLAWN DR. HONOLULU, HI 96822
DRAWN: STAHLBERGER	INSTRUMENT: SPEX - CROSS DISPERSED SPECTROGRAPH
APPR'D: J. RAYNER	PART NAME: EXTERNAL ACCESS COVER1
TOLERANCES	TELESCOPE: IRTF
X.X +/- .015	
X.XX +/- .005	
X.XXX +/- .002	
ANGLE +/- 30 min	
FRACTION +/- 1/32	
SG6-001B	DRW NO: SG6-014A
NEXT ASSY	SCALE: 1:1
	SIZE: A
	JOS NO: 725
	SHEET: 1 OF 1

PLOT: 10/19/99