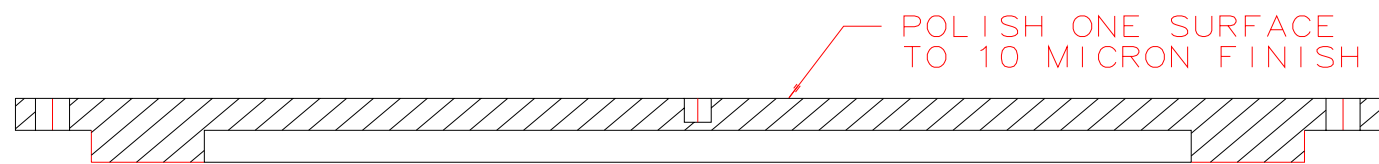


NOTES: UNLESS OTHERWISE NOTED

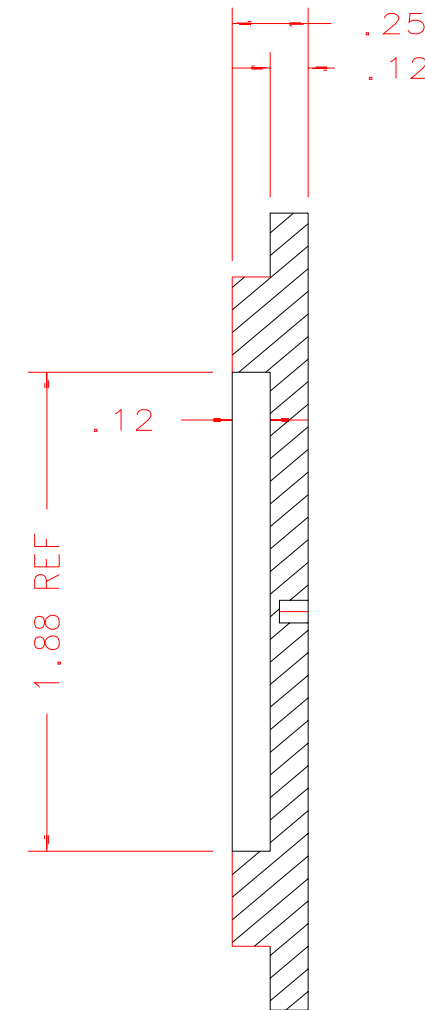
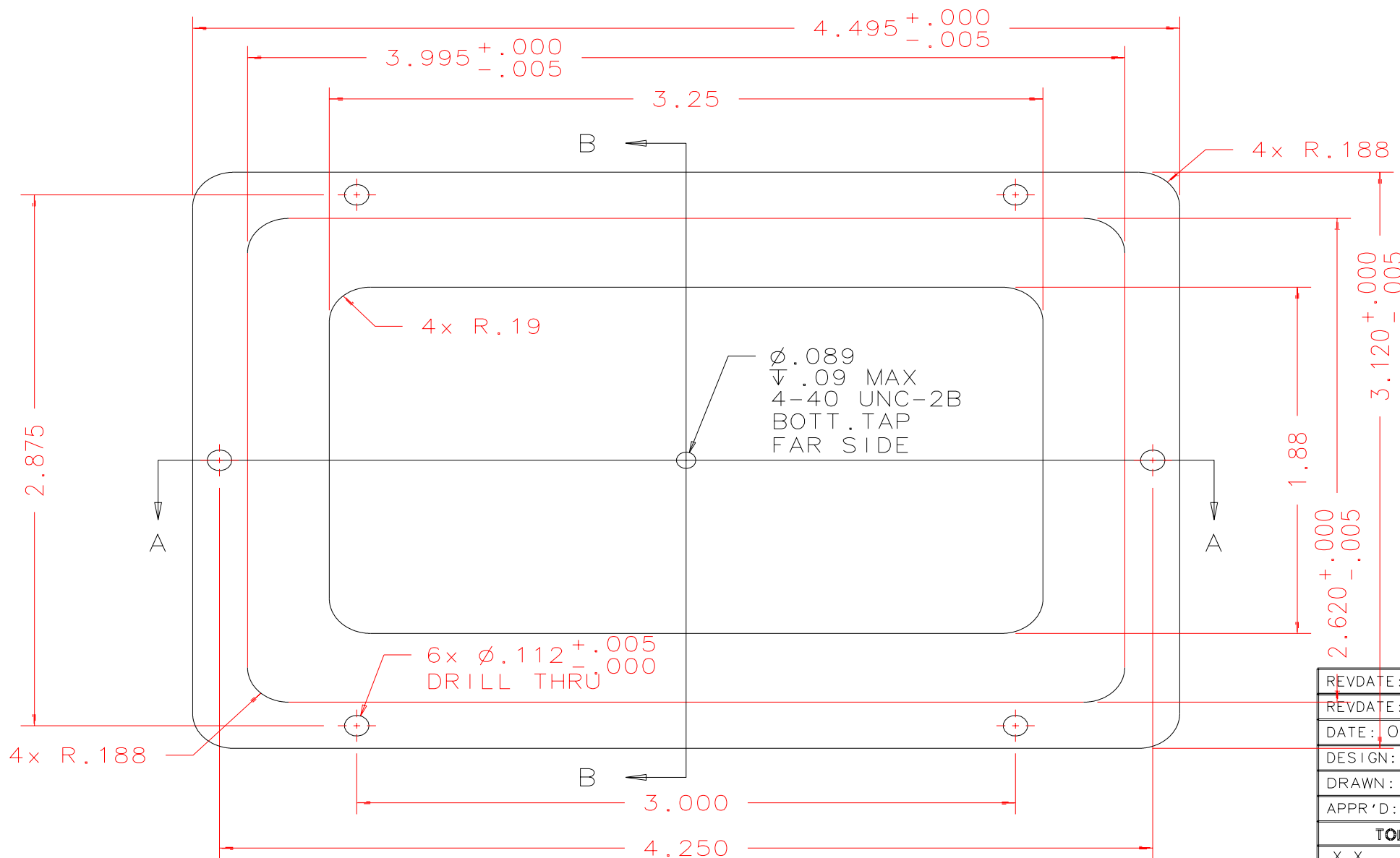
1. MACHINED SURFACE ROUGHNESS 64
O-RING GROOVES AND SURFACES 32
2. REMOVE ALL BURRS/SHARP CORNERS

BILL OF MATERIAL

NO.	REQ'D	REF DRW	DESCRIPTION	MATERIAL
N/A	1	SG6-015B	EXTERNAL ACCESS COVER2	ALU 606-T6



SECTION A-A



SECTION B-B

4x R.188

6x $\phi .112^{+.005}_{-.000}$
DRILL THRU

$\phi .089$
 $\nabla .09$ MAX
4-40 UNC-2B
BOTT. TAP
FAR SIDE

FRONT

REVDATE: 02/08/99	REVISION: ADD 4-40 TAPPED HOLE
REVDATE: N/A	REVISION: N/A
DATE: 04/27/98	INSTITUTE FOR ASTRONOMY 2680 WOODLAWN DR. HONOLULU, HI 96822
DESIGN: STAHLBERGER	INSTRUMENT: SPEX - CROSS DISPERSED SPECTROGRAPH
DRAWN: STAHLBERGER	PART NAME: EXTERNAL ACCESS COVER2
APPR'D: J. RAYNER	TELESCOPE: IRTF
TOLERANCES	
X.X	+/- .015
X.XX	+/- .005
X.XXX	+/- .002
ANGLE	+/- 30 min
FRACTION	+/- 1/32
SG6-001B	DRW NO: SG6-015B
NEXT ASSY	SCALE: 1:1
SIZE: A	JOS NO: 725
	SHEET: 1 OF 1

PLOT: 10/19/99