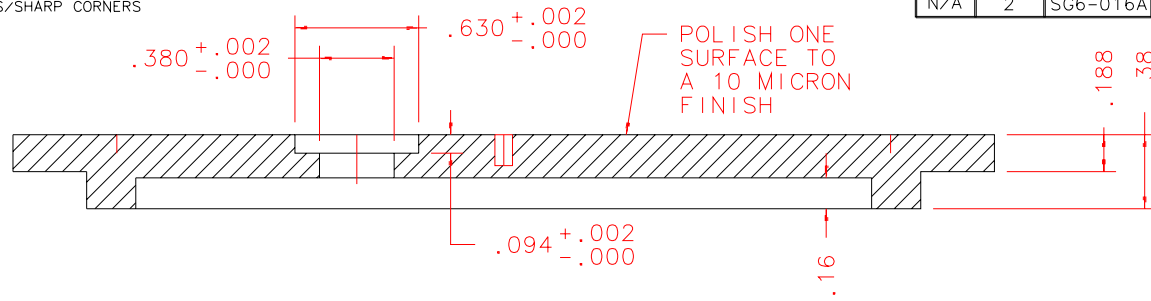


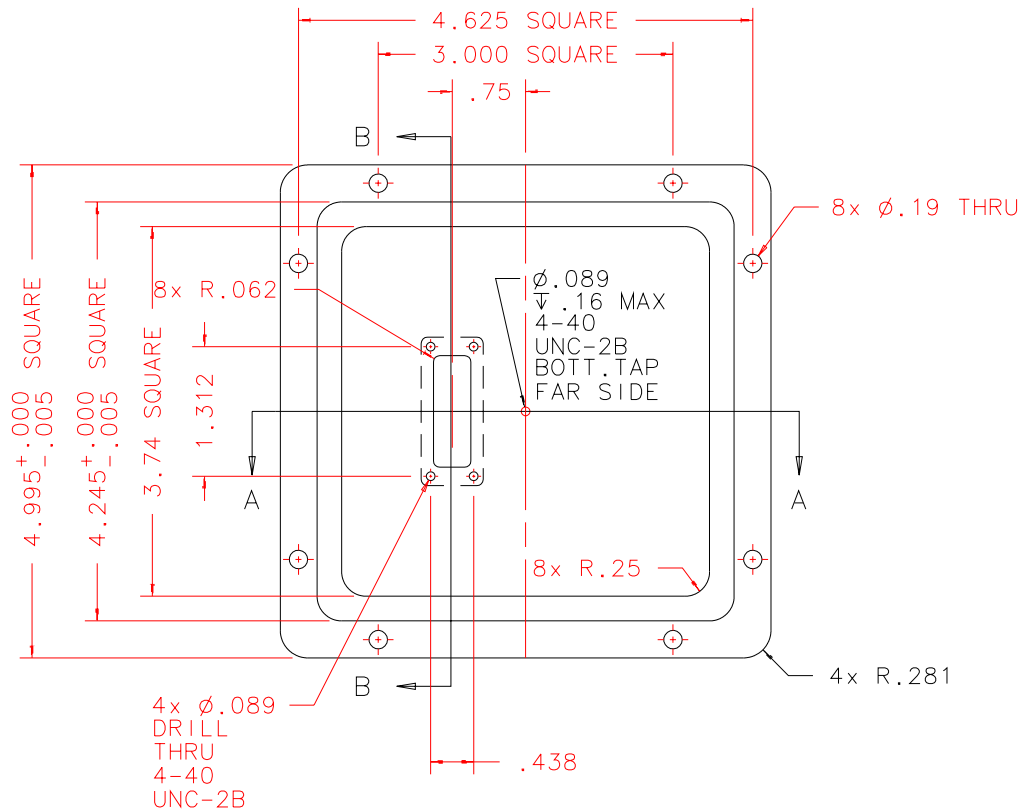
NOTES: UNLESS OTHERWISE NOTED

1. MACHINED SURFACE ROUGHNESS 64  
O-RING GROOVES AND SURFACES 32
2. REMOVE ALL BURRS/SHARP CORNERS

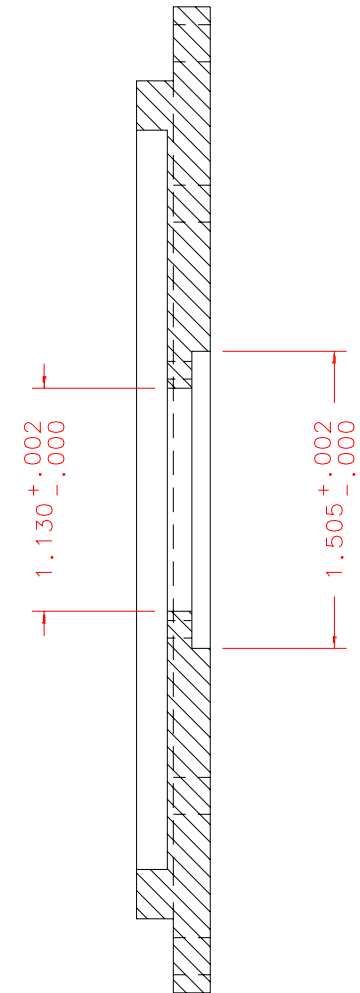
BILL OF MATERIAL				
NO.	REQ'D	REF DRW	DESCRIPTION	MATERIAL
N/A	2	SG6-016A	HALL ACCESS COVER K-MIRROR	ALU 6061-T6



SECTION A-A: SCALE 1:1



FRONT: SCALE 1:2



SECTION B-B: SCALE 1:1

REVDATE: 05/25/99	REVISION: CHANGED SIZE OF POCKET
REVDATE: 02/08/99	REVISION: ADD 4-40 TAPPED HOLE
REVDATE: 12/10/98	REVISION: CHNGD RAD TO .281 FROM .250
REVDATE: N/A	REVISION: N/A
DATE: 04/27/98	<b>INSTITUTE FOR ASTRONOMY</b>
DESIGN: STAHLBERGER	2680 WOODLAWN DR. HONOLULU, HI 96822
DRAWN: STAHLBERGER	INSTRUMENT: SPEX - CROSS DISPERSED SPECTROGRAPH
APPR'D: J. RAYNER	PART NAME: HALL ACCESS COVER K-MIRROR
	TELESCOPE: IRTF
<b>TOLERANCES</b>	
X.X	+/- .015
X.XX	+/- .005
X.XXX	+/- .002
ANGLE	+/- 30 min
FRACTION	+/- 1/32
DRW NO: SG6-016A	SCALE: NOTED
SIZE: A	JOS NO: 725
	SHEET: 1 OF 1

PLOT: 10/19/99

SG6-001B
NEXT ASSY