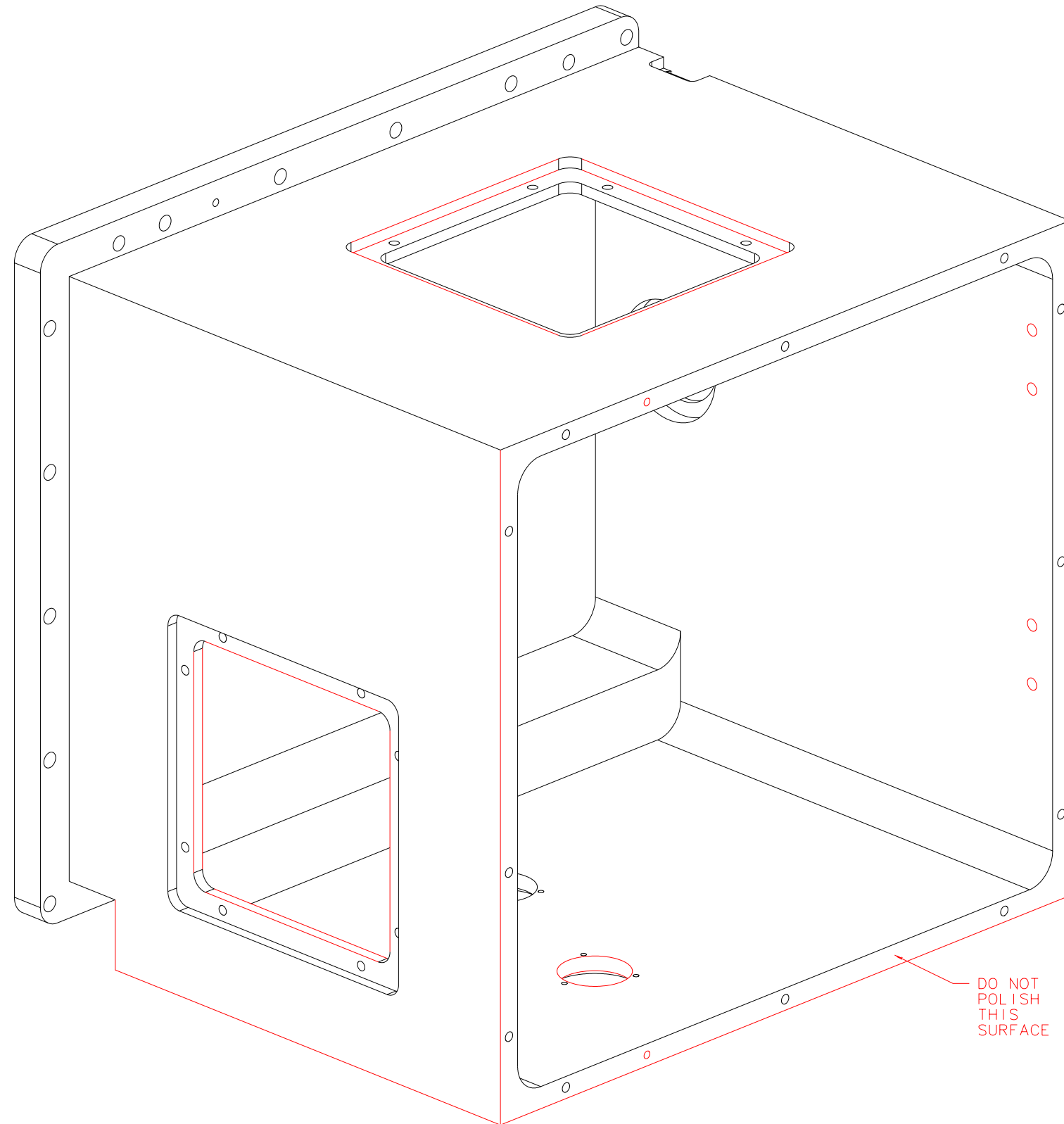


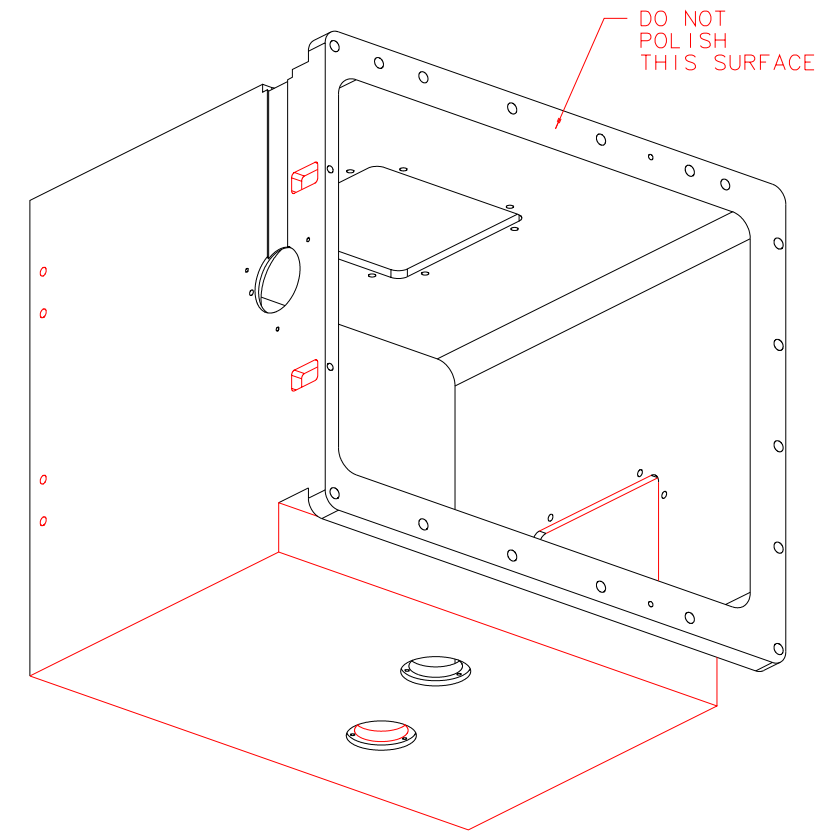
NOTES: UNLESS OTHERWISE NOTED
 1. MACHINED SURFACE ROUGHNESS 64
 O-RING GROOVES AND SURFACES 32
 2. REMOVE ALL BURRS/SHARP CORNERS

BILL OF MATERIAL				
NO.	REQ'D	REF DRW	DESCRIPTION	MATERIAL
N/A	1	SG6-017B	ROTATOR FRAME	ALU 6061-T6

POLISH ALL OUTSIDE
 FACING SURFACES
 TO 10 MICRON FINISH
 EXCEPT WHEN
 MARKED OTHERWISE.
 DO NOT POLISH
 INSIDE POCKETS
 AND CAVITIES.



ISOVIEW6: SCALE 1:2



ISOVIEW7: SCALE 1:4

REVDATE: 01/15/99	REVISION: ADD 2 DOWEL HOLES, FRONT VIEW
REVDATE: 09/30/98	REVISION: ADD DIMS FOR 4-40 HLS, SHT2 TOP VIEW
REVDATE: 09/17/98	REVISION: ADD DIM 5.125 SHEET 4
REVDATE: 09/17/98	REVISION: ADD DIM 8.979 AND 4.688 SHEET 1
REVDATE: N/A	REVISION: N/A
DATE: 04/28/98	INSTITUTE FOR ASTRONOMY
DESIGN: STAHLBERGER	2680 WOODLAWN DR. HONOLULU, HI 96822
DRAWN: STAHLBERGER	INSTRUMENT: SPEX - CROSS DISPERSED SPECTROGRAPH
APPR'D: J. RAYNER	PART NAME: ROTATOR FRAME
TOLERANCES	
X.X	+/- .015
X.XX	+/- .005
X.XXX	+/- .002
ANGLE	+/- 30 min
FRACTION	+/- 1/32
DRW NO: SG6-017B	SCALE: NOTED
SIZE: B	JOS NO: 725
SHEET: 5 OF 5	

SG6-001B	NEXT ASSY
----------	-----------