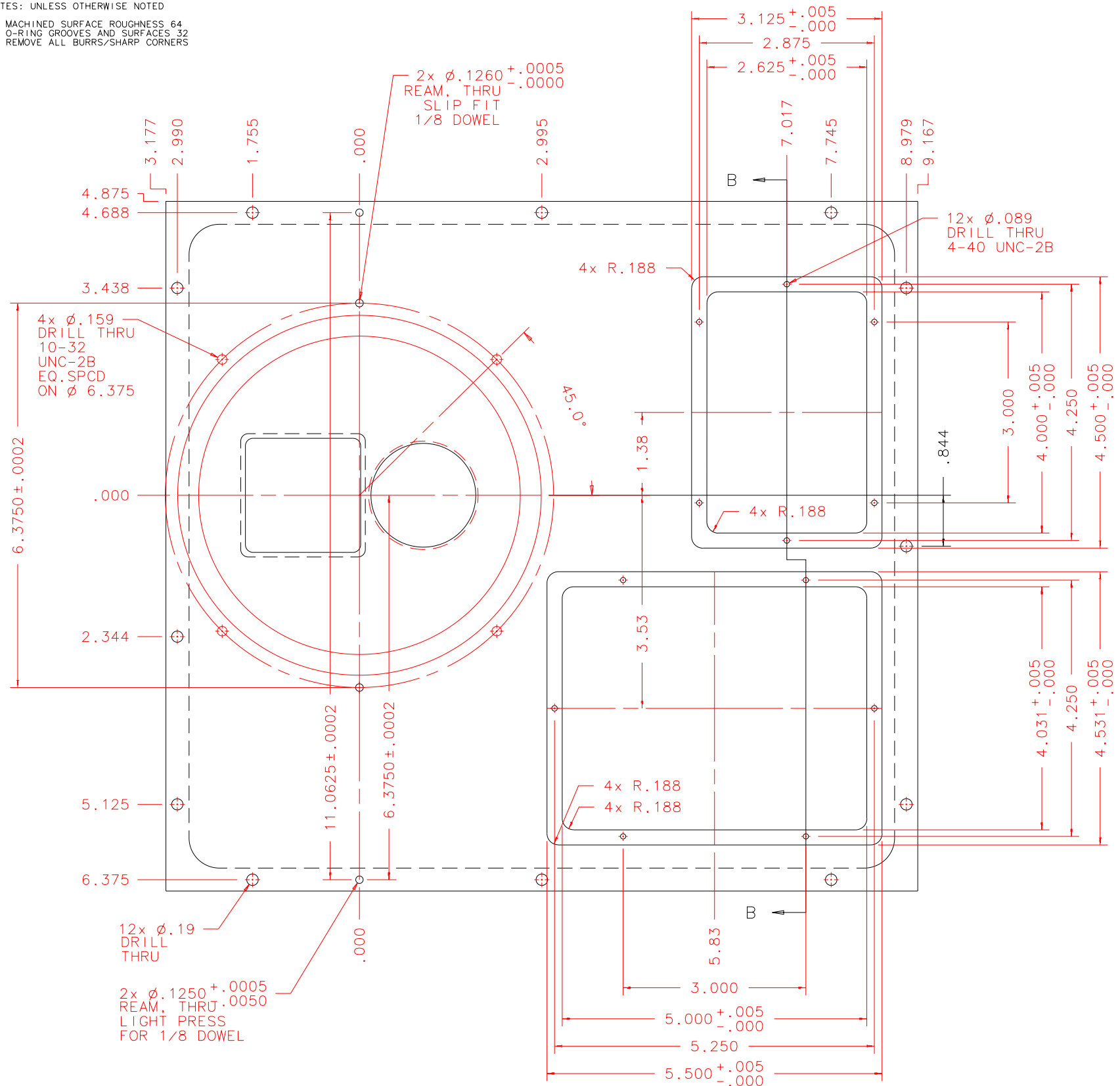
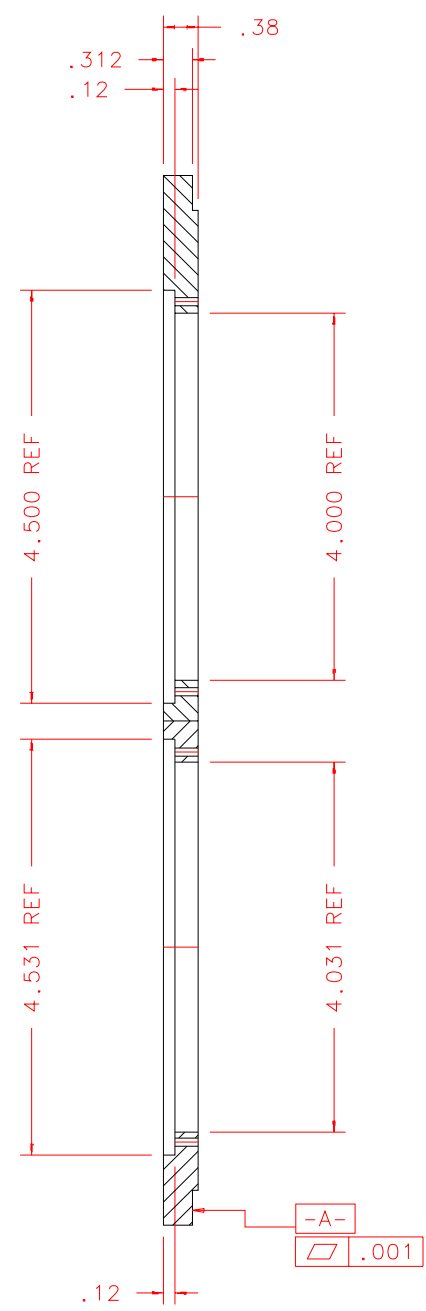


NOTES: UNLESS OTHERWISE NOTED
 1. MACHINED SURFACE ROUGHNESS 64
 O-RING GROOVES AND SURFACES 32
 2. REMOVE ALL BURRS/SHARP CORNERS



FRONT: SCALE 1:2

BILL OF MATERIAL				
NO.	REQ'D	REF DRW	DESCRIPTION	MATERIAL
N/A	1	SG6-018B	ROTATOR FRAME COVER	ALU 6061-T6



SECTION B-B: SCALE 1:2

REVDATE: 09/17/98	REVISION: ADD DIM .844
DATE: 04/30/98	REVISION: N/A
DESIGN: STAHLBERGER	INSTITUTE FOR ASTRONOMY
DRAWN: STAHLBERGER	2680 WOODLAWN DR. HONOLULU, HI 96822
APPR'D: J. RAYNER	INSTRUMENT: SPEX - CROSS DISPERSED SPECTROGRAPH
TOLERANCES	
X.X	+/- .015
X.XX	+/- .005
X.XXX	+/- .002
ANGLE	+/- 30 min
FRACTION	+/- 1/32
DRW NO: SG6-018B	SCALE: NOTED
SIZE: B	JOS NO: 725
SHEET: 1 OF 3	