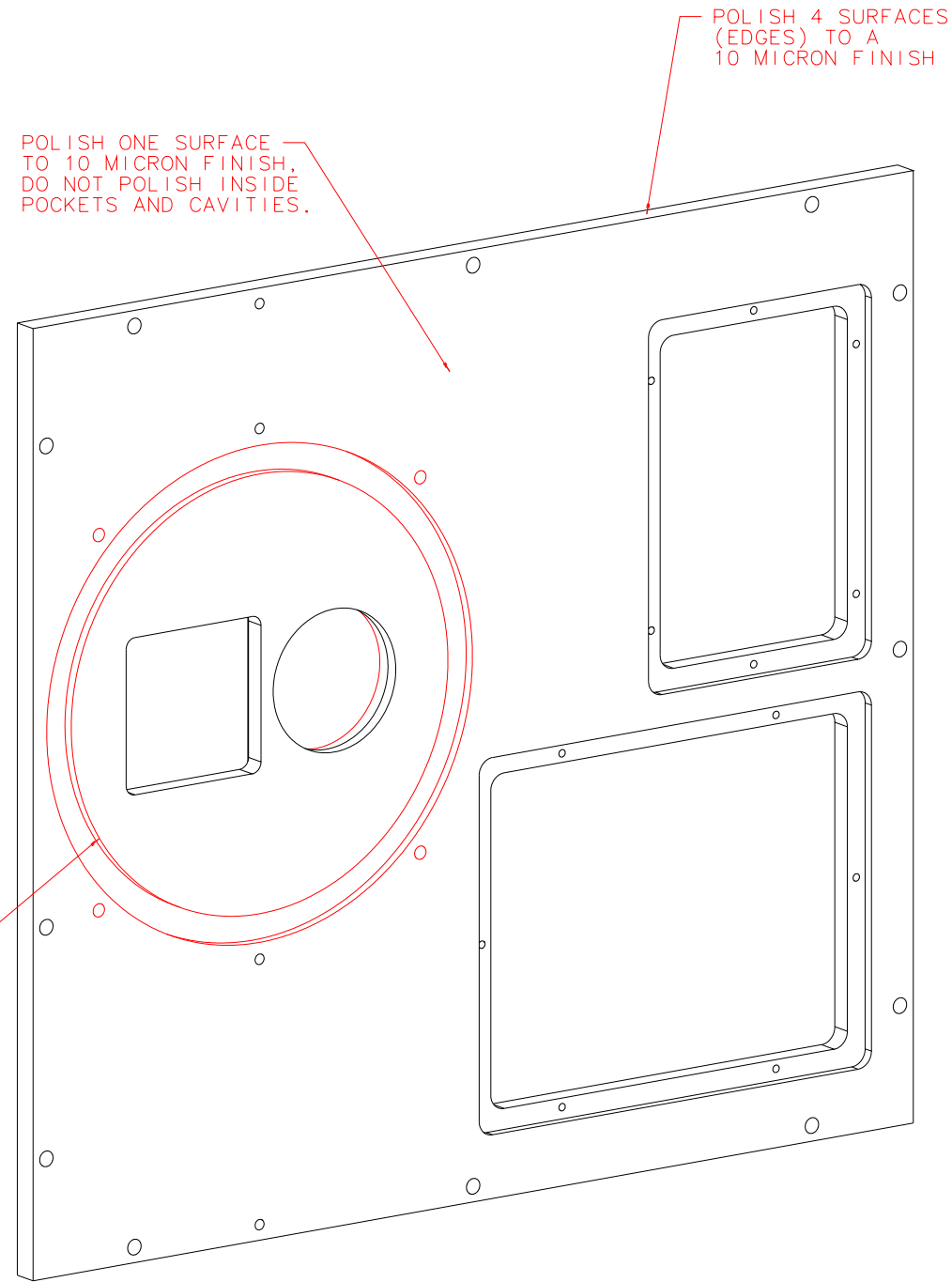
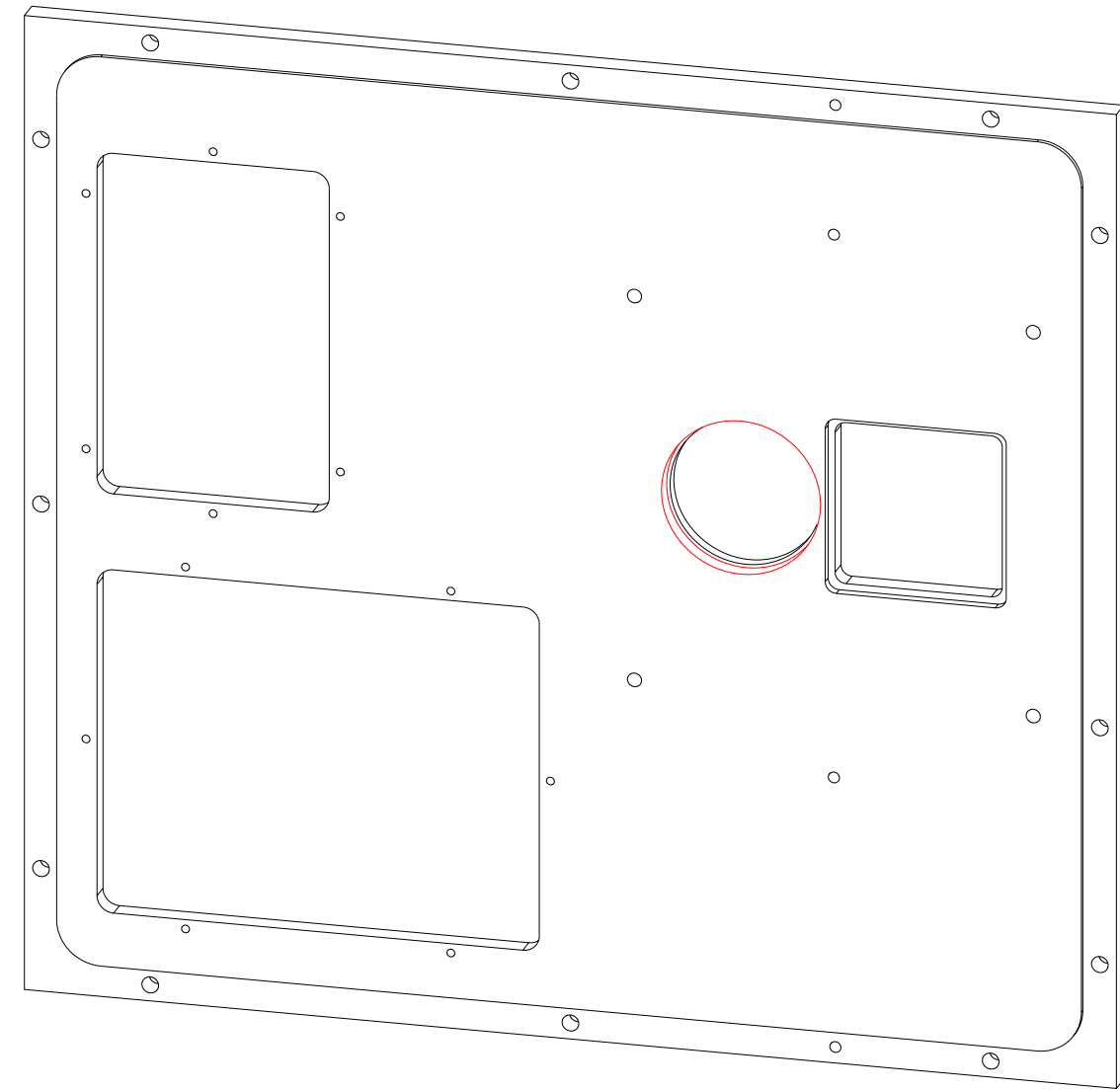


NOTES: UNLESS OTHERWISE NOTED
 1. MACHINED SURFACE ROUGHNESS 64
 O-RING GROOVES AND SURFACES 32
 2. REMOVE ALL BURRS/SHARP CORNERS

BILL OF MATERIAL				
NO.	REQ'D	REF DRW	DESCRIPTION	MATERIAL
N/A	1	SG6-018B	ROTATOR FRAME COVER	ALU 6061-T6



ISOVIEW4: SCALE 1:2



ISOVIEW5: SCALE 1:2

PLOT: 10/19/99

SG6-001B
 NEXT ASSY

REVDATE: 09/17/98	REVISION: ADD DIM .844
REVDATE: N/A	REVISION: N/A
DATE: 04/30/98	INSTITUTE FOR ASTRONOMY
DESIGN: STAHLBERGER	2680 WOODLAWN DR. HONOLULU, HI 96822
DRAWN: STAHLBERGER	INSTRUMENT: SPEX - CROSS DISPERSED SPECTROGRAPH
APPR'D: J. RAYNER	PART NAME: ROTATOR FRAME COVER
TOLERANCES	TELESCOPE: IRTF
X.X +/- .015	DRW NO: SG6-018B
X.XX +/- .005	SCALE: NOTED
X.XXX +/- .002	SIZE: B
ANGLE +/- 30 min	JOS NO: 725
FRACTION +/- 1/32	SHEET: 3 OF 3