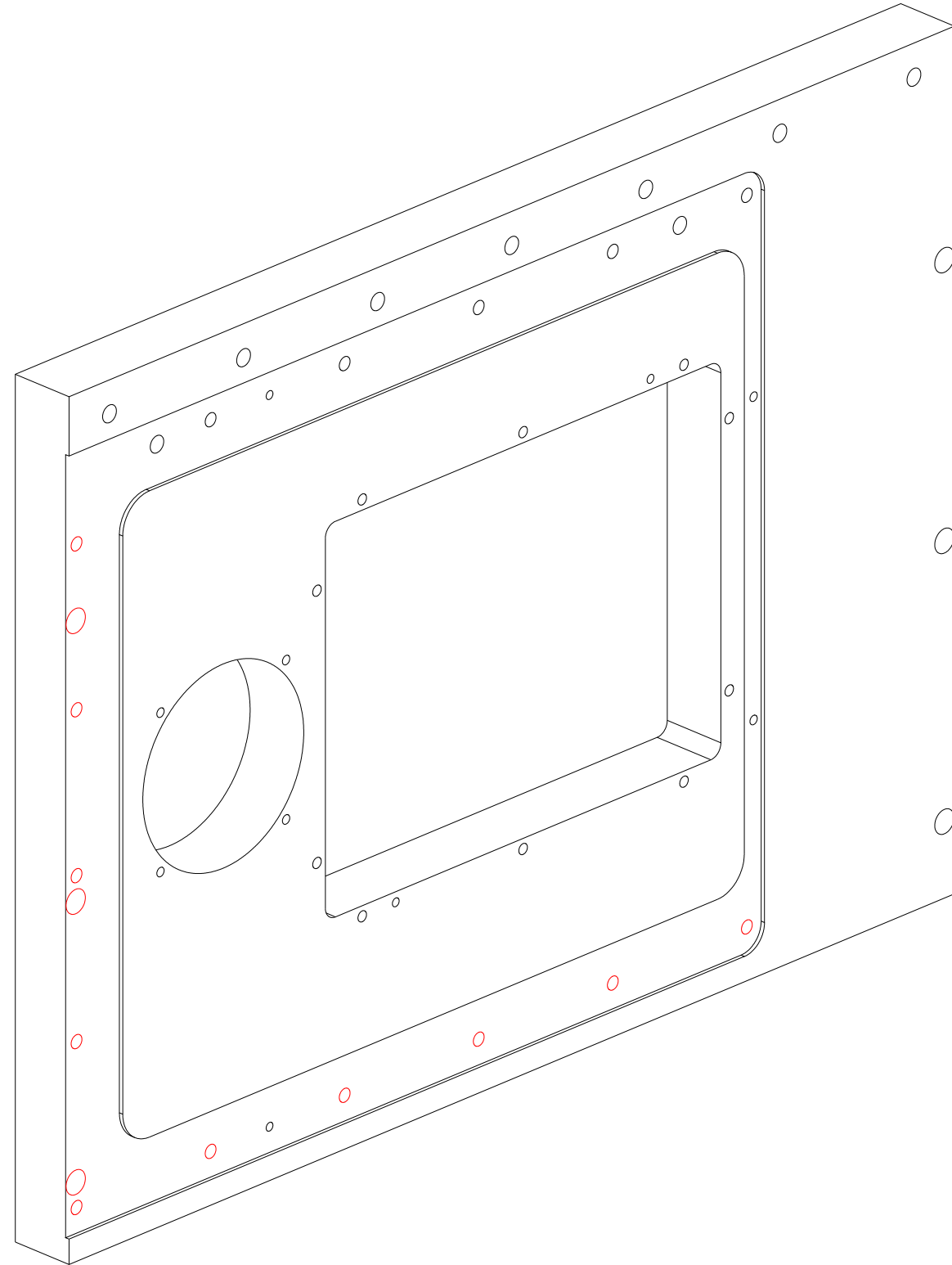


NOTES: UNLESS OTHERWISE NOTED
 1. MACHINED SURFACE ROUGHNESS 64
 O-RING GROOVES AND SURFACES 32
 2. REMOVE ALL BURRS/SHARP CORNERS



ISOVIEW4: SCALE 1:2

BILL OF MATERIAL				
NO.	REQ'D	REF DRW	DESCRIPTION	MATERIAL
N/A	1	SG6-021B	TRUSS MOUNT JIG PLATE	ALU 6061-T6

REVDATE: 01/15/99	REVISION: ADD 2 DOWEL HOLES VIEW 5
REVDATE: N/A	REVISION: N/A
DATE: 04/23/98	INSTITUTE FOR ASTRONOMY
DESIGN: STAHLBERGER	2680 WOODLAWN DR. HONOLULU, HI 96822
DRAWN: STAHLBERGER	INSTRUMENT: SPEX - CROSS DISPERSED SPECTROGRAPH
APPR'D: J. RAYNER	PART NAME: TRUSS MOUNT JIG PLATE
TOLERANCES	
X.X	+/- .015
X.XX	+/- .005
X.XXX	+/- .002
ANGLE	+/- 30 min
FRACTION	+/- 1/32
DRW NO: SG6-021B	SCALE: 1:2
SIZE: B	JOS NO: 725
	SHEET: 3 OF 3

SG6-001B
NEXT ASSY

PLOT: 10/19/99