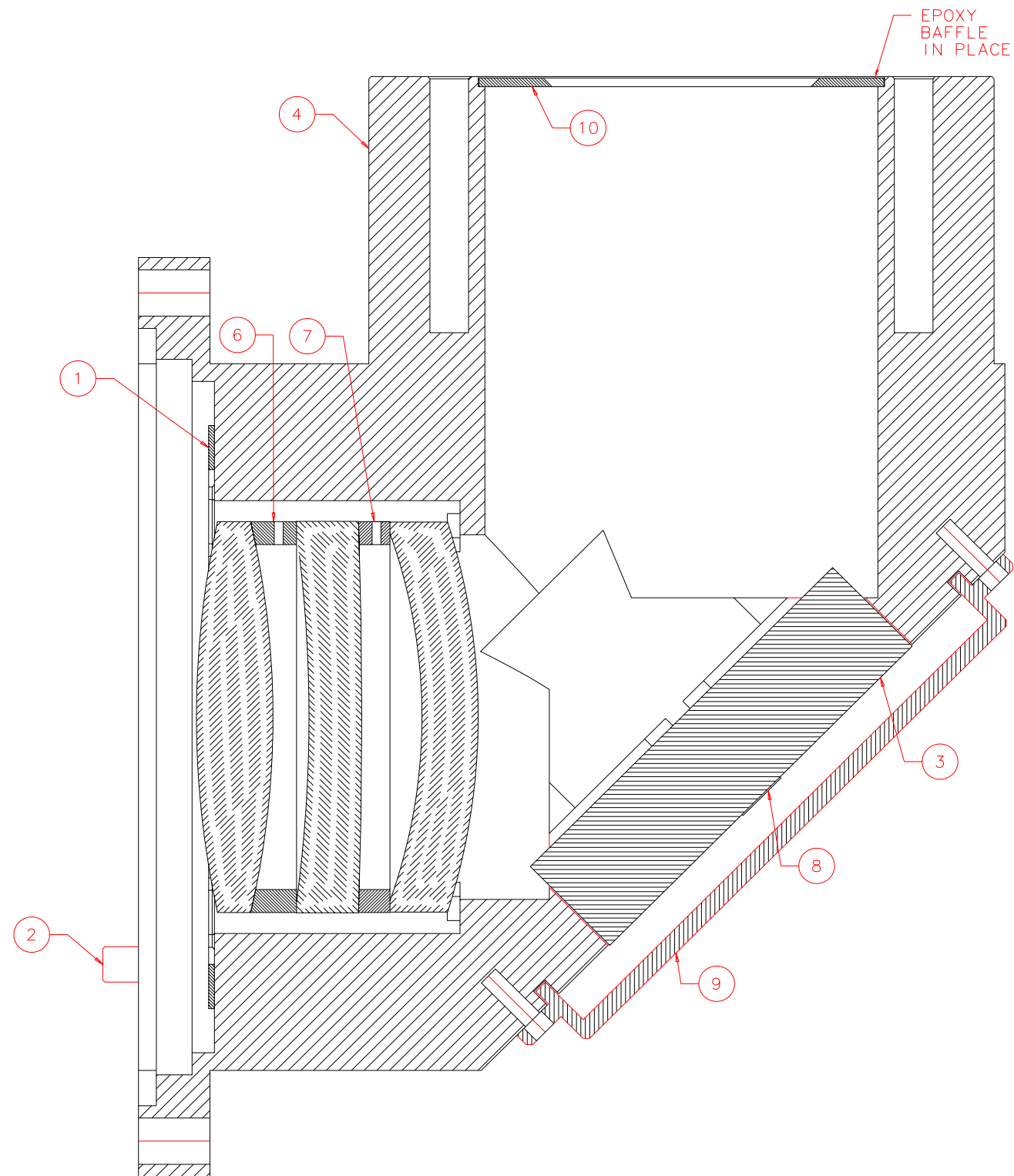
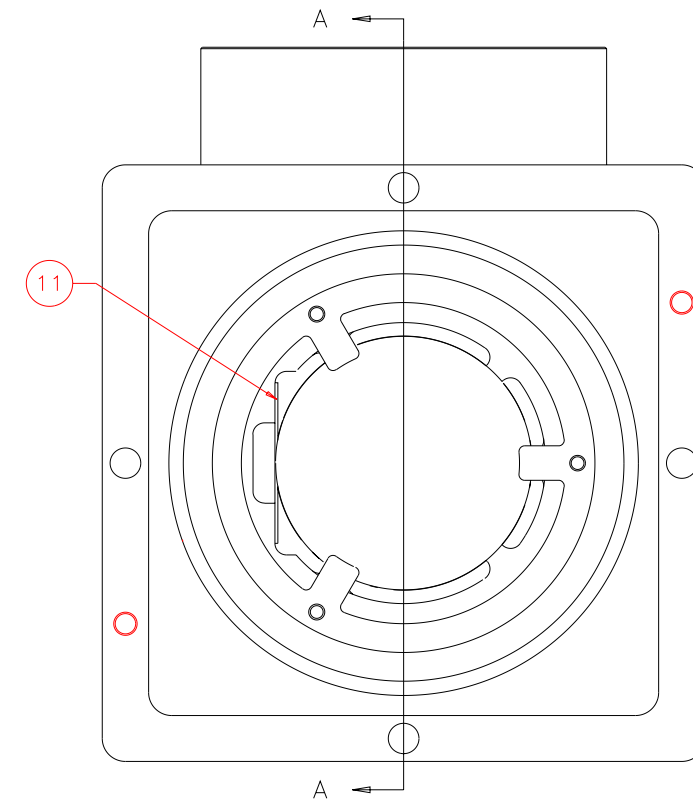


NOTES: UNLESS OTHERWISE NOTED  
 1. MACHINED SURFACE ROUGHNESS 64  
 O-RING GROOVES AND SURFACES 32  
 2. REMOVE ALL BURRS/SHARP CORNERS



SECTION A-A: SCALE 2:1

BILL OF MATERIAL				
NO.	REQ'D	REF DRW	DESCRIPTION	MATERIAL
N/A	1	SG9-001B	K-LENSTRIPLET MOUNT	N/A
1	1	SG9-011A	AXIAL SPRING K-LENSTRIPLET	PHOS.BRONZE
2	2	N/A	DOWEL PIN D14-10(BERG)	STAINLESS
3	1	S05-021A	FLAT 6	GLASS
4	1	SG9-012B	FLAT6&TRIPLET MOUNT	ALU 6061-T6
5	1	S05-001A	FOROPTICS TRIPLET(ASSEMBLY)	N/A
6	1	S05-014A	LENS SPACER 1	ALU 6061-T6
7	1	S05-015A	LENS SPACER 2	ALU 6061-T6
8	3	SG9-013A	MIRROR CLIP	PHOS.BRONZE
9	1	SG9-014A	MIRROR COVER	ALU 6061-T6
10	1	SG9-015A	POST FLAT 6 BAFFLE	ALU 6061-T6
11	1	SG9-016A	RADIAL SPRING	PHOS.BRONZE



FRONT: SCALE 1:1

REVDATE: N/A	REVISION: N/A
DATE: 05/22/98	<b>INSTITUTE FOR ASTRONOMY</b>
DESIGN: STAHLBERGER	2680 WOODLAWN DR. HONOLULU, HI 96822
DRAWN: STAHLBERGER	INSTRUMENT: SPEX - CROSS DISPERSED SPECTROGRAPH
APPR'D: J. RAYNER	PART NAME: K-LENSTRIPLET MOUNT
<b>TOLERANCES</b>	TELESCOPE: IRTF
X.X +/- .015	
X.XX +/- .005	
X.XXX +/- .002	
ANGLE +/- 30 min	
FRACTION +/- 1/32	

SG0-001B	DRW NO: SG9-001B	SCALE: NOTED
NEXT ASSY	SIZE: B	JOS NO: 725
		SHEET: 1 OF 2