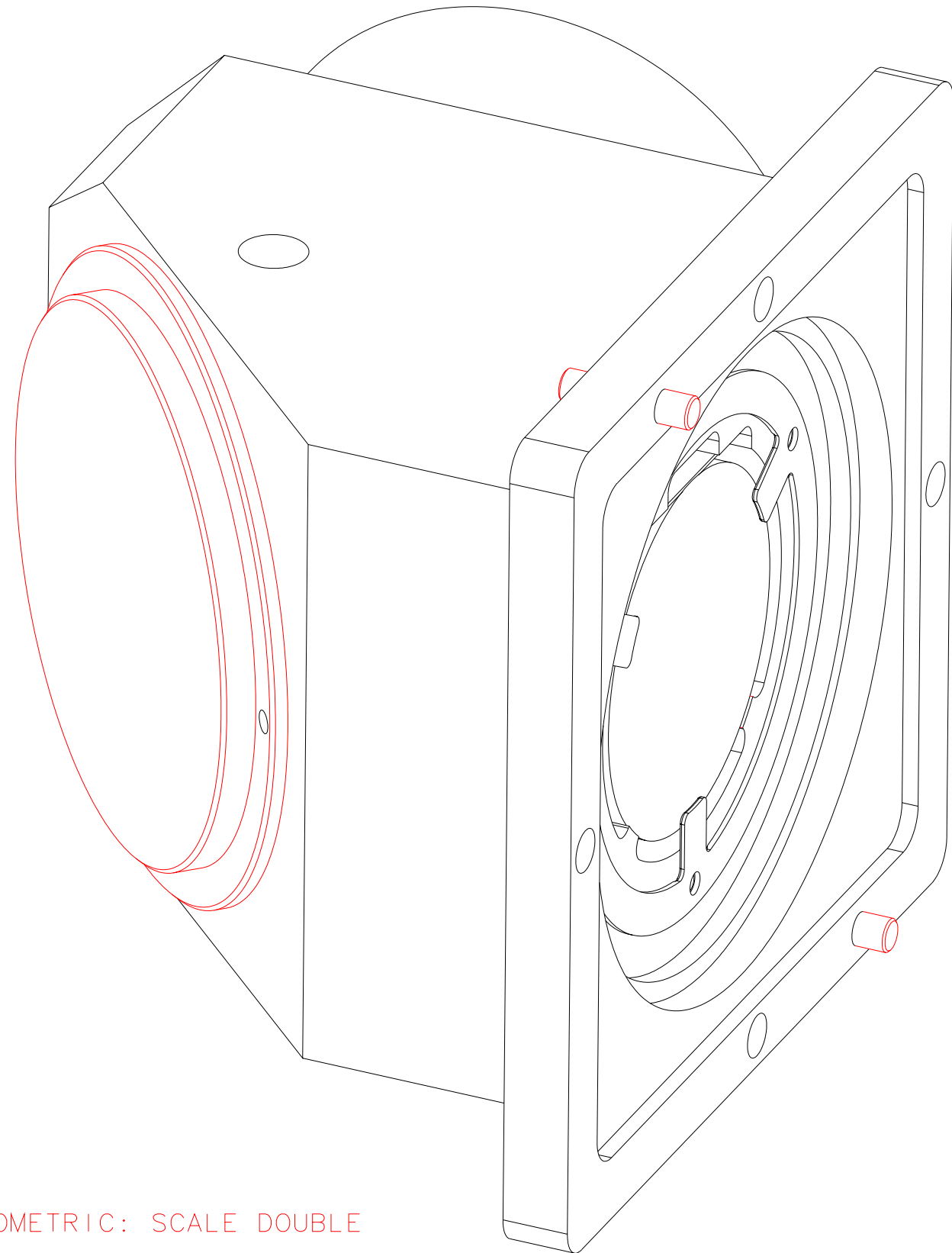


NOTES: UNLESS OTHERWISE NOTED
 1. MACHINED SURFACE ROUGHNESS 64
 O-RING GROOVES AND SURFACES 32
 2. REMOVE ALL BURRS/SHARP CORNERS



ISOMETRIC: SCALE DOUBLE

BILL OF MATERIAL				
NO.	REQ'D	REF DRW	DESCRIPTION	MATERIAL
N/A	1	SG9-001B	K-LENSTRIPLET MOUNT	N/A
1	1	SG9-011A	AXIAL SPRING K-LENSTRIPLET	PHOS.BRONZE
2	2	N/A	DOWEL PIN D14-10(BERG)	STAINLESS
3	1	S05-021A	FLAT 6	GLASS
4	1	SG9-012B	FLAT6&TRIPLET MOUNT	ALU 6061-T6
5	1	S05-001A	FOROPTICS TRIPLET(ASSEMBLY)	N/A
6	1	S05-014A	LENS SPACER 1	ALU 6061-T6
7	1	S05-015A	LENS SPACER 2	ALU 6061-T6
8	3	SG9-013A	MIRROR CLIP	PHOS.BRONZE
9	1	SG9-014A	MIRROR COVER	ALU 6061-T6
10	1	SG9-015A	POST FLAT 6 BAFFLE	ALU 6061-T6
11	1	SG9-016A	RADIAL SPRING	PHOS.BRONZE

REVDATE: N/A	REVISION: N/A
DATE: 05/22/98	INSTITUTE FOR ASTRONOMY
DESIGN: STAHLBERGER	2680 WOODLAWN DR. HONOLULU, HI 96822
DRAWN: STAHLBERGER	INSTRUMENT: SPEX - CROSS DISPERSED SPECTROGRAPH
APPR'D: J. RAYNER	PART NAME: K-LENSTRIPLET MOUNT
TOLERANCES	TELESCOPE: IRTF
X.X +/- .015	DRW NO: SG9-001B
X.XX +/- .005	SCALE: NOTED
X.XXX +/- .002	SIZE: B
ANGLE +/- 30 min	JOS NO: 725
FRACTION +/- 1/32	SHEET: 2 OF 2

SG0-001B	NEXT ASSY
----------	-----------

PLOT: 10/19/99