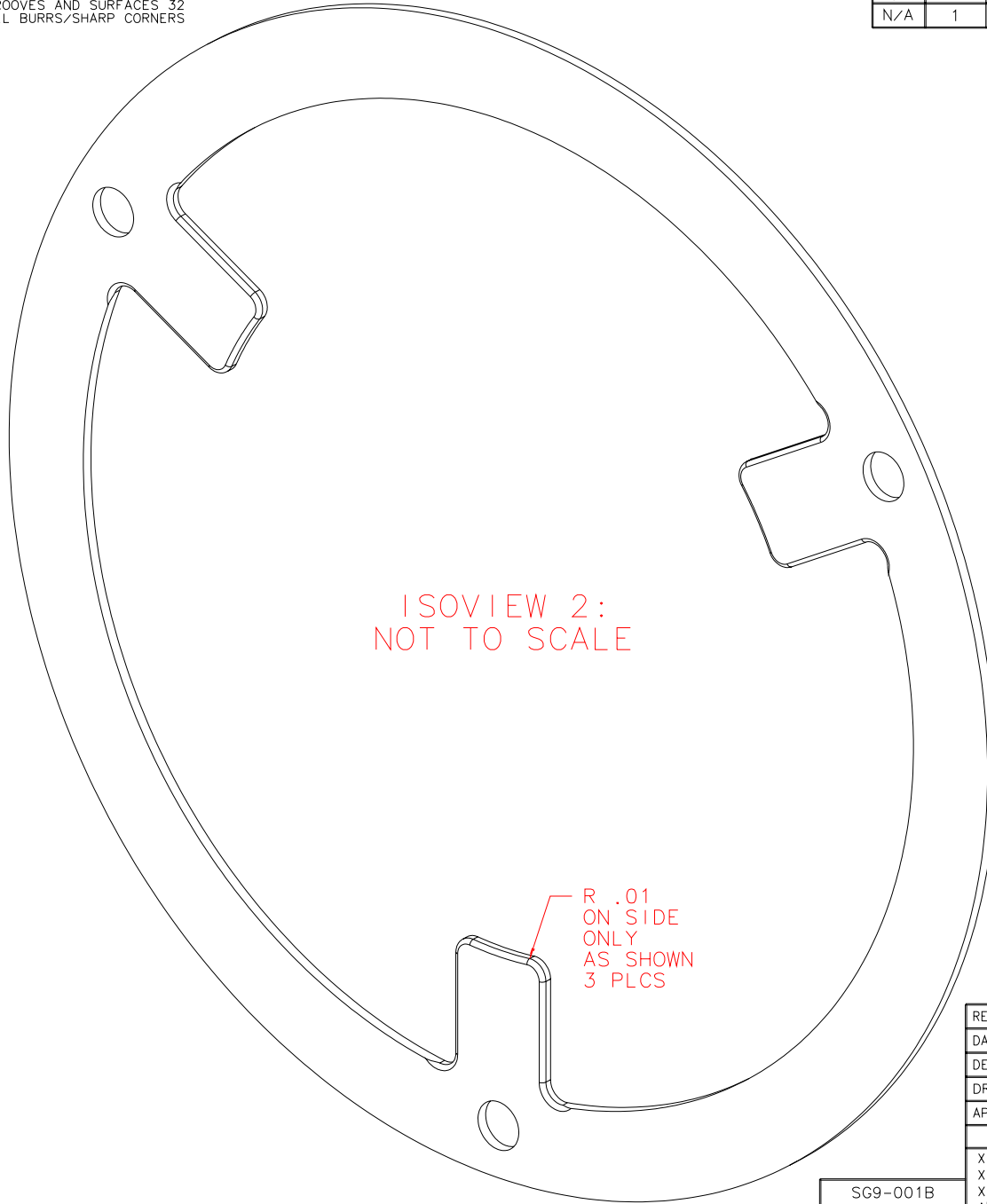


NOTES: UNLESS OTHERWISE NOTED

1. MACHINED SURFACE ROUGHNESS 64  
O-RING GROOVES AND SURFACES 32
2. REMOVE ALL BURRS/SHARP CORNERS

BILL OF MATERIAL

NO.	REQ'D	REF DRW	DESCRIPTION	MATERIAL
N/A	1	SG9-011A	AXIAL SPRING K-LENSTRIPLET	PHOS. BRONZE



ISOVIEW 2:  
NOT TO SCALE

R .01  
ON SIDE  
ONLY  
AS SHOWN  
3 PLCS

REVDATE: N/A	REVISION: N/A
DATE: 05/22/98	<b>INSTITUTE FOR ASTRONOMY</b>
DESIGN: STAHLBERGER	2680 WOODLAWN DR. HONOLULU, HI 96822
DRAWN: STAHLBERGER	INSTRUMENT: SPEX - CROSS DISPERSED SPECTROGRAPH
APPR'D: J. RAYNER	PART NAME: AXIAL SPRING K-LENSTRIPLET
<b>TOLERANCES</b>	TELESCOPE: IRTF
X.X +/- .015	DRW NO: SG9-011A
X.XX +/- .005	SCALE: 2:1
X.XXX +/- .002	SIZE: A
ANGLE +/- 30 min	JOS NO: 725
FRACTION +/- 1/32	SHEET: 2 OF 2

SG9-001B
NEXT ASSY

PLOT: 10/19/99