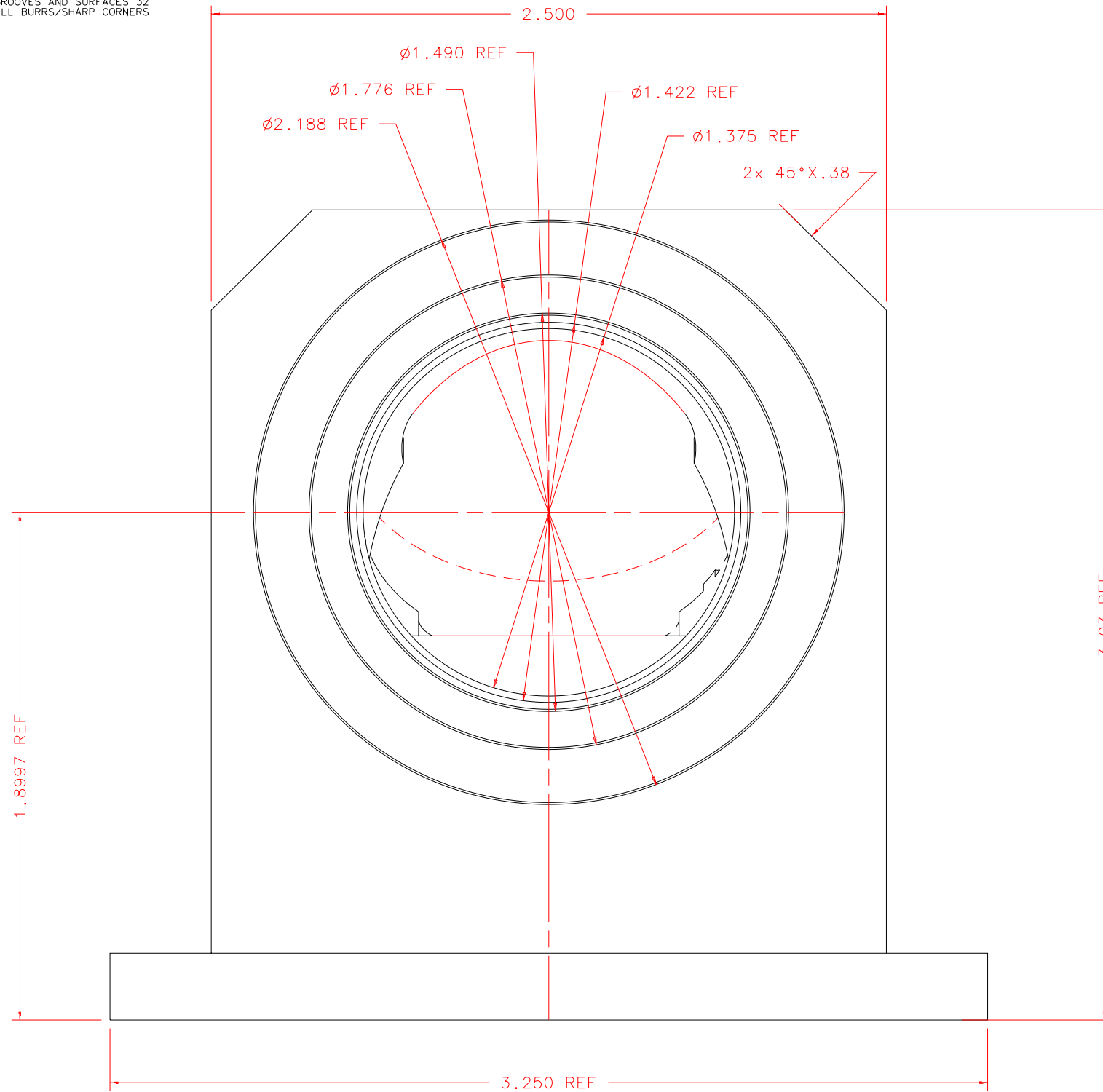
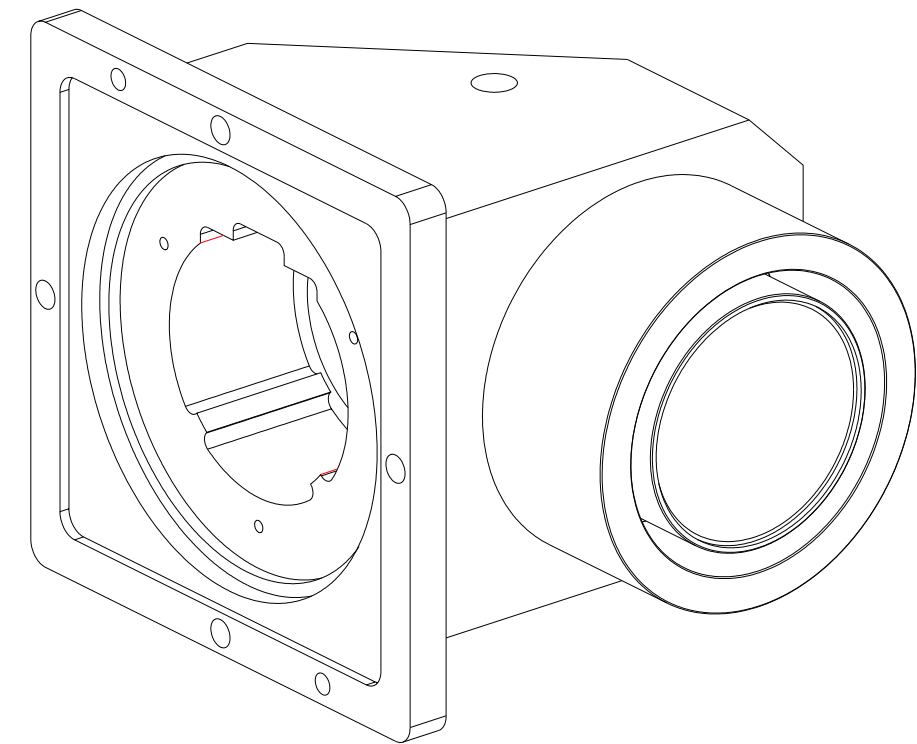


NOTES: UNLESS OTHERWISE NOTED
 1. MACHINED SURFACE ROUGHNESS 64
 O-RING GROOVES AND SURFACES 32
 2. REMOVE ALL BURRS/SHARP CORNERS

BILL OF MATERIAL				
NO.	REQ'D	REF DRW	DESCRIPTION	MATERIAL
N/A	1	SG9-012B	FLAT6&TRIPLET MOUNT	ALU 6061-T6



TOP: SCALE 2:1



ISOVIEW 5: SCALE FULL

TOLERANCES:
 LINEAR
 X.XXXX +/- .0005
 ANGULAR
 X.XX +/- 0.01°

SG9-001B
NEXT ASSY

REVDATE: 10/12/98	REVISION: ADD DIM .425 SECTION A-A SHEET1
REVDATE: 09/17/98	REVISION: ADD DIM 1.12 SECTION A-A SHEET1
REVDATE: N/A	REVISION: N/A
DATE: 05/26/98	INSTITUTE FOR ASTRONOMY
DESIGN: STAHLBERGER	2680 WOODLAWN DR. HONOLULU, HI 96822
DRAWN: STAHLBERGER	INSTRUMENT: SPEX - CROSS DISPERSED SPECTROGRAPH
APPR'D: J. RAYNER	PART NAME: FLAT6&TRIPLET MOUNT
TOLERANCES	TELESCOPE: IRTF
X.X +/- .015	
X.XX +/- .005	
X.XXX +/- .002	
ANGLE +/- 30 min	
FRACTION +/- 1/32	
DRW NO: SG9-012B	SCALE: NOTED
SIZE: B	JOS NO: 725
	SHEET: 4 OF 6