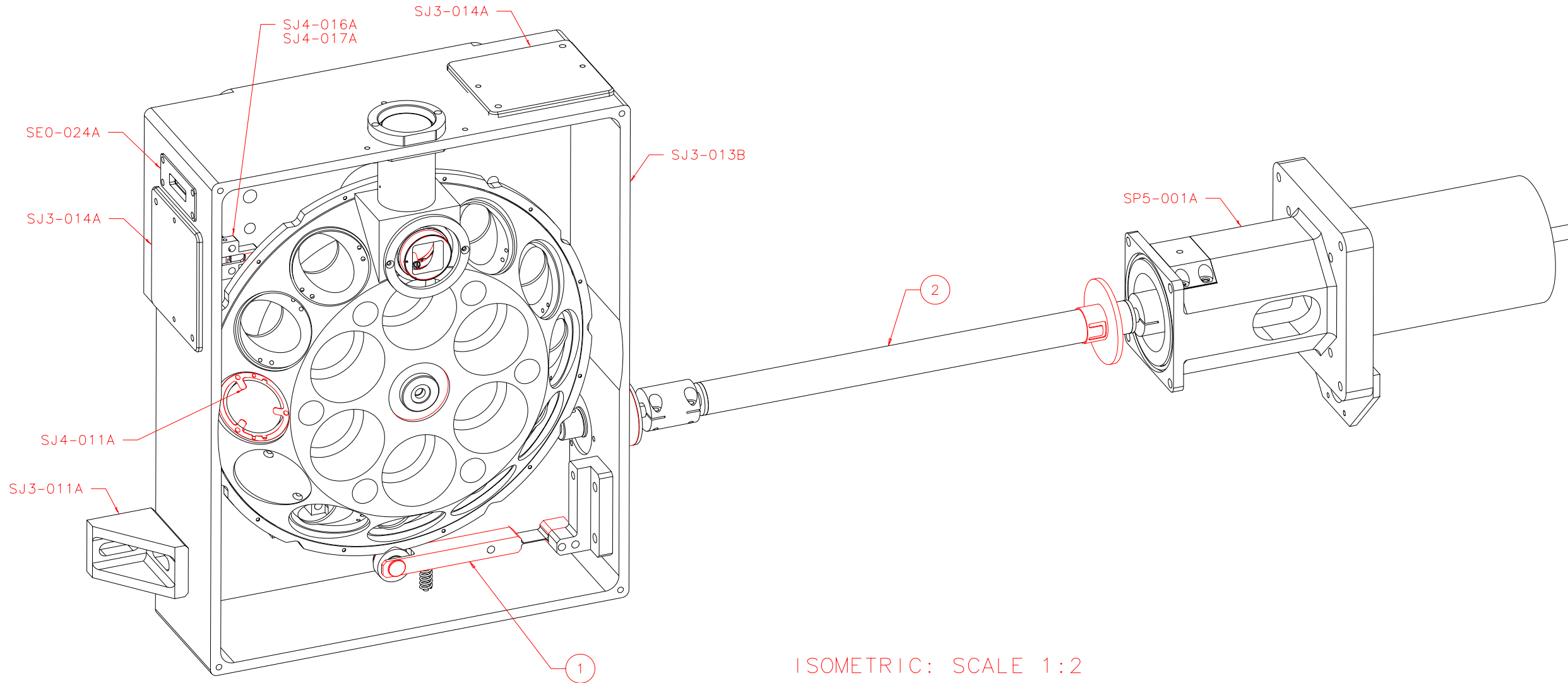


NOTES: UNLESS OTHERWISE NOTED
 1. MACHINED SURFACE ROUGHNESS 64
 O-RING GROOVES AND SURFACES 32
 2. REMOVE ALL BURRS/SHARP CORNERS

BILL OF MATERIAL				
NO.	REQ'D	REF DRW	DESCRIPTION	MATERIAL
N/A	1	SJ0-001B	SLIT	N/A
1	1	SJ1-001A	DETENT (ASSEMBLY)	N/A
2	1	SJ2-001A	DRIVE (ASSEMBLY)	N/A
3	1	SJ3-001B	HOUSING (ASSEMBLY)	N/A
4	1	SJ4-001B	WHEEL (ASSEMBLY)	N/A



ISOMETRIC: SCALE 1:2

SJ3-012A
 OMITTED

REVDATE: 08/18/99	REVISION: ADD MORE BAFFLES
REVDATE: 05/06/99	REVISION: ADD ACCESS PORT +COVER
REVDATE: 04/21/99	REVISION: ADD CUSTOM SCREW TO SLIT MODULE
REVDATE: 04/23/99	REVISION: UPDATE DRAWING
REVDATE: N/A	REVISION: N/A
DATE: 01/28/98	INSTITUTE FOR ASTRONOMY
DESIGN: STAHLBERGER	2680 WOODLAWN DR. HONOLULU, HI 96822
DRAWN: STAHLBERGER	INSTRUMENT: SPEX - CROSS DISPERSED SPECTROGRAPH
APPR'D: J. RAYNER	PART NAME: SLIT
TOLERANCES	TELESCOPE: IRTF
X.X +/- .015	
X.XX +/- .005	
X.XXX +/- .002	
ANGLE +/- 30 min	
FRACTION +/- 1/32	
S00-001B	DRW NO: SJ0-001B
NEXT ASSY	SCALE: 1:2
	SIZE: B
	JOS NO: 725
	SHEET: 1 OF 3

PLOT: 10/19/99