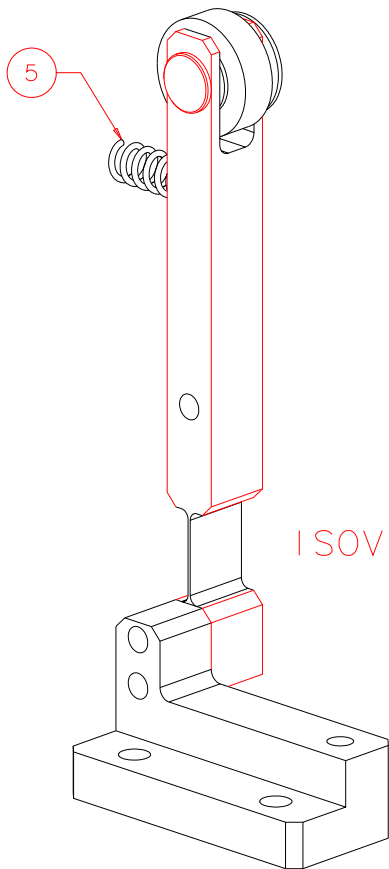
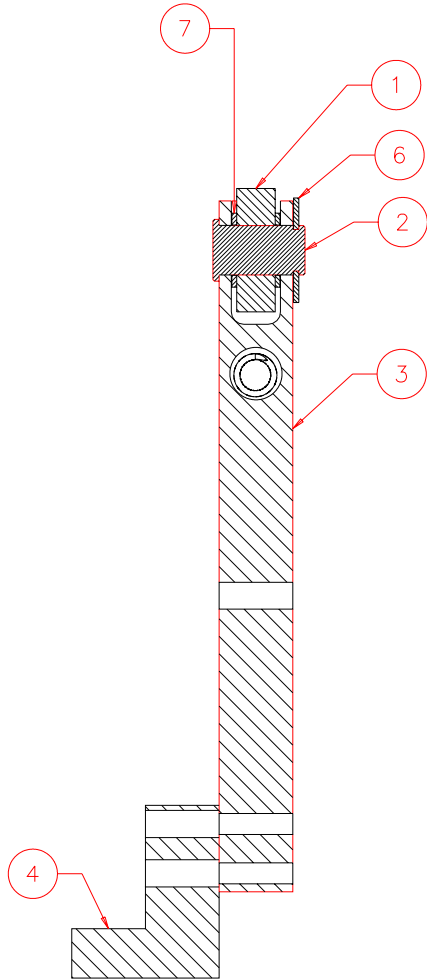


NOTES: UNLESS OTHERWISE NOTED

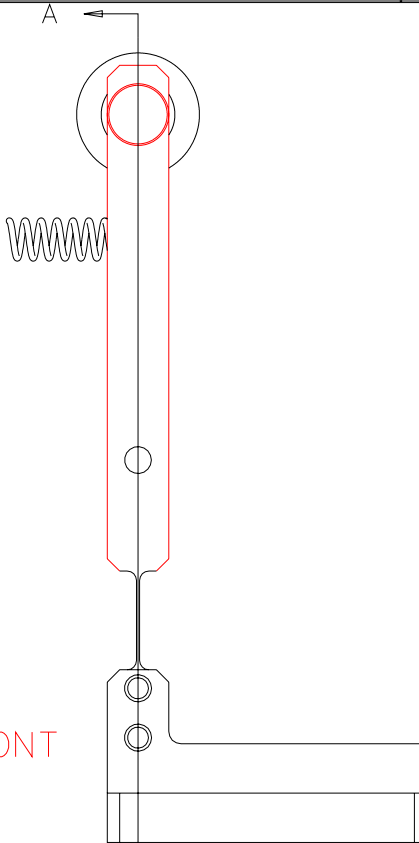
1. MACHINED SURFACE ROUGHNESS 64
- O-RING GROOVES AND SURFACES 32
2. REMOVE ALL BURRS/SHARP CORNERS



ISOVIEW 3



SECTION A-A



FRONT

| BILL OF MATERIAL | | | | |
|------------------|-------|----------|--------------------------|-----------------|
| NO. | REQ'D | REF DRW | DESCRIPTION | MATERIAL |
| N/A | 1 | SJ1-001A | DETENT | N/A |
| 1 | 1 | N/A | BALL BEARING B1-28(BERG) | STAINLESS |
| 2 | 1 | SP3-011A | BEARING PIN | STAINLESS 303 |
| 3 | 1 | SP3-012A | DETENT ARM | TITANIUM 6AL-4V |
| 4 | 1 | SJ1-011A | DETENT BASE | ALU 6061-T6 |
| 5 | 1 | N/A | MC045H05SS M&R | STAINLESS |
| 6 | 1 | N/A | RETAINER Q1-25(BERG) | STAINLESS |
| 7 | 2 | SJ1-012A | SPACER | STAINLESS 303 |

| | |
|---------------------|--|
| REVDATE: 04/15/99A | REVISION: UPDATE DRAWING |
| REVDATE: 09/21/98 | REVISION: REPLACE EXT. SPRING W/COMPR. SPRING |
| REVDATE: N/A | REVISION: N/A |
| DATE: 01/27/98 | INSTITUTE FOR ASTRONOMY 2680 WOODLAWN DR. HONOLULU, HI 96822 |
| DESIGN: STAHLBERGER | |
| DRAWN: STAHLBERGER | INSTRUMENT: SPEX - CROSS DISPERSED SPECTROGRAPH |
| APPR'D: J. RAYNER | PART NAME: DETENT |
| TOLERANCES | |
| X.X | +/- .015 |
| X.XX | +/- .005 |
| X.XXX | +/- .002 |
| ANGLE | +/- 30 min |
| FRACTION | +/- 1/32 |
| DRW NO: SJ1-001A | SCALE: 1:1 |
| SIZE: A | JOS NO: 725 |
| SHEET: 1 OF 1 | |

PLOT:10/19/99

SJ0-001B
NEXT ASSY