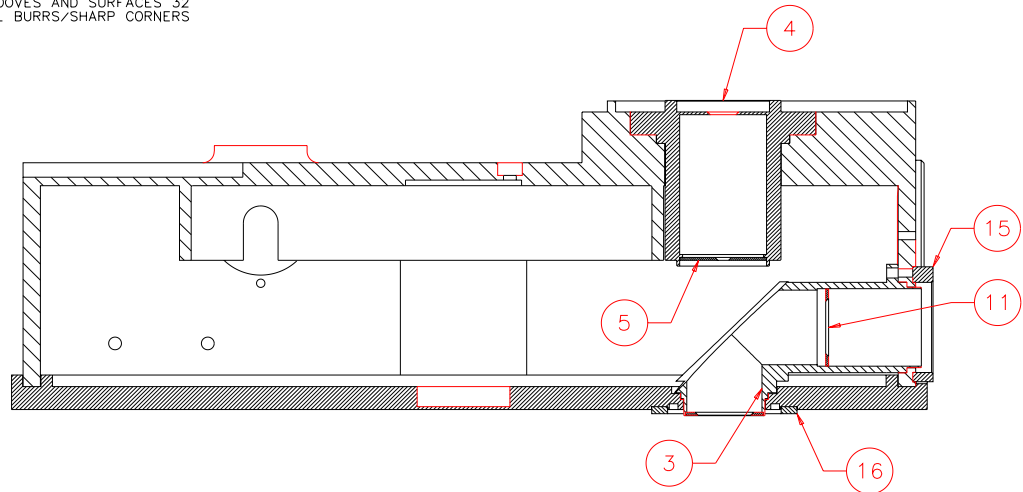


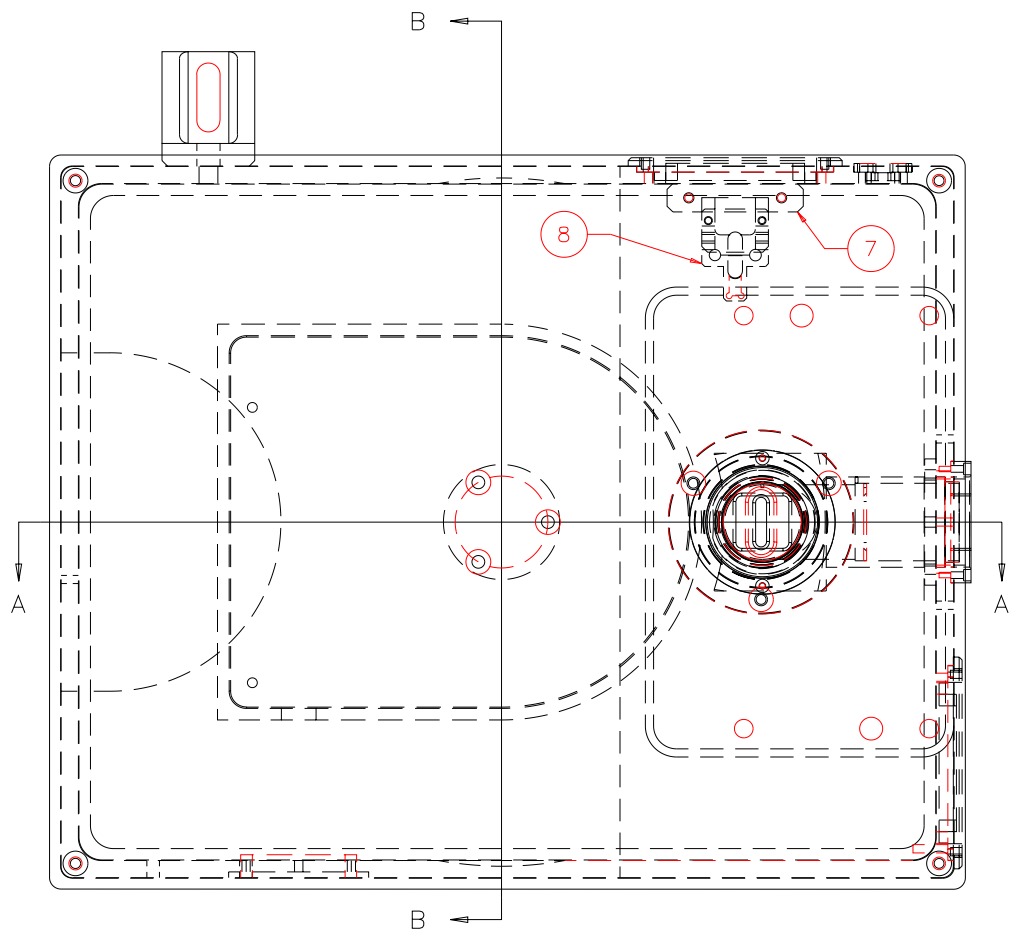
NOTES: UNLESS OTHERWISE NOTED  
 1. MACHINED SURFACE ROUGHNESS 64  
 O-RING GROOVES AND SURFACES 32  
 2. REMOVE ALL BURRS/SHARP CORNERS



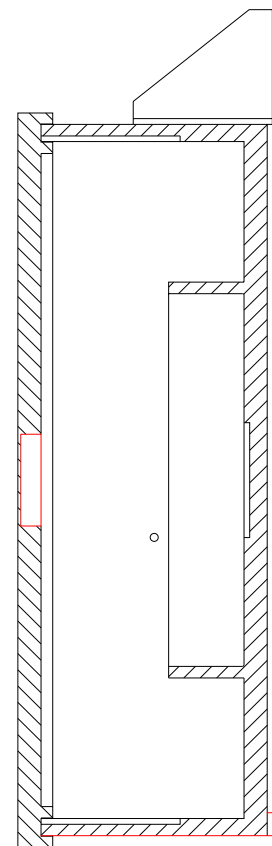
SECTION A-A

NOTE:  
 A) EPOXY 5 TO 4  
 WATCH ORIENTATION,  
 B) EPOXY 11 TO 3  
 WATCH ORIENTATION  
 C) USE VENTED SCREWS  
 FOR ALL NONPENETRATING  
 TAPPED HOLES

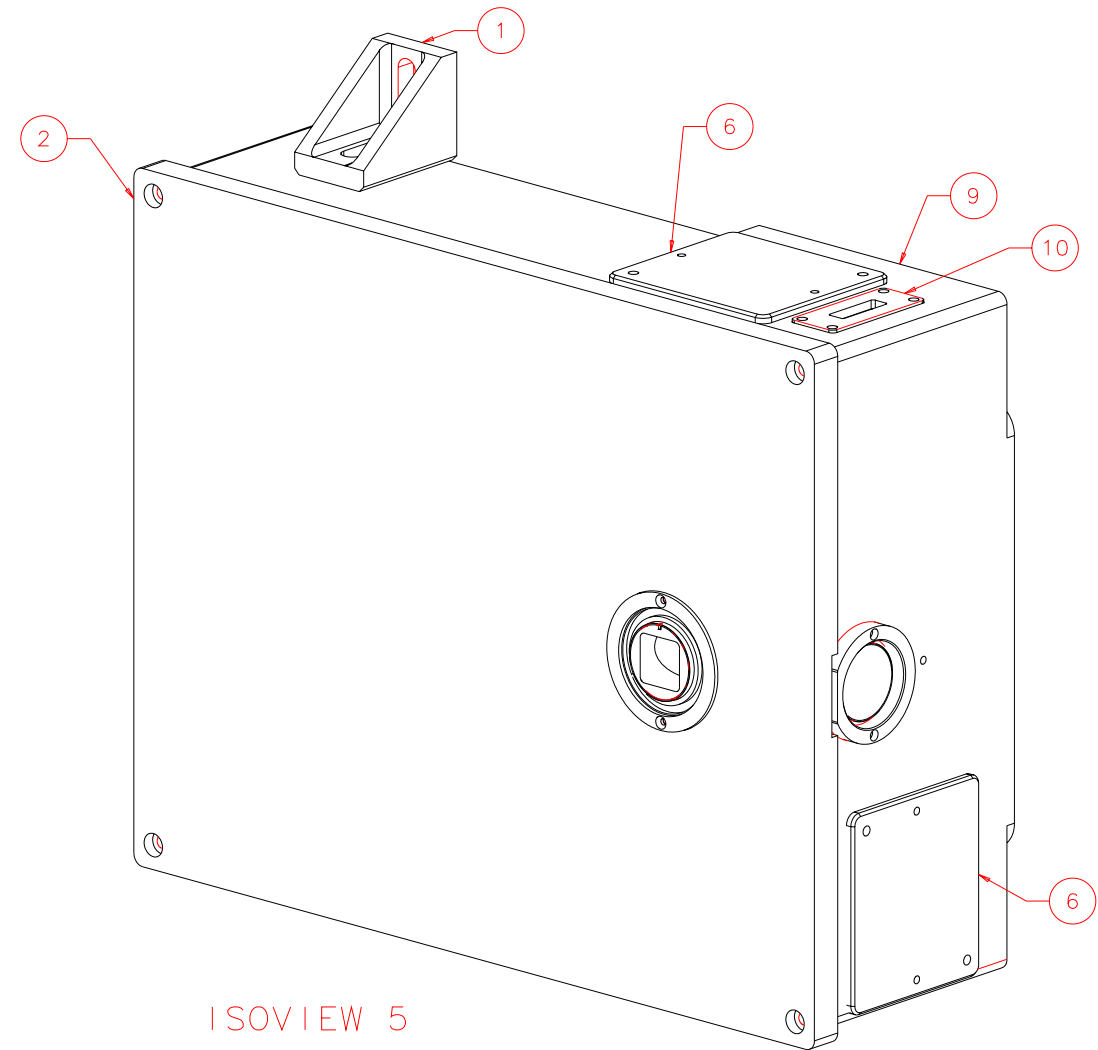
BILL OF MATERIAL				
NO.	REQ'D	REF DRW	DESCRIPTION	MATERIAL
N/A	1	SJ3-001B	HOUSING	N/A
1	1	SJ3-011A	BACK BRACE	ALU 6061-T6
2	1	SJ3-012A	COVER PLATE	ALU 6061-T6
3	1	SJ4-014A	ENTRANCE BAFFLE	ALU 6061-T6
4	1	SJ4-015A	EXIT BAFFLE	ALU 6061-T6
5	1	SJ4-028A	EXIT BAFFLE INSERT	ALU 6061-T6
6	2	SJ3-014A	HALL ACCESS COVER	ALU 6061-T6
7	1	SJ4-016A	HALL BRACKET SLIT	ALU 6061-T6
8	1	SJ4-017A	HALL SENSOR CARRIER	ALU 6061-T6
9	1	SJ3-013B	HOUSING	ALU 6061-T6
10	1	SE0-024A	SINGLE30 MOUNT	ALU 6061-T6
11	2	SJ4-026A	SQUARE BAFFLE PLATE	ALU 6061-T6
12	1	SJ3-015A	BAFFLE EPOXYRING1	ALU 6061-T6
13	1	SJ3-016A	BAFFLE EPOXYRING2	ALU 6061-T6



FRONT



SECTION B-B



ISOVIEW 5

REVDATE: 08/18/99	REVISION: ADDED BAFFLES
REVDATE: 05/06/99	REVISION: ADD 2ND COVER ITEM 6
REVDATE: 04/15/99	REVISION: UPDATE DRAWING
REVDATE: N/A	REVISION: N/A
DATE: 01/27/98	<b>INSTITUTE FOR ASTRONOMY</b>
DESIGN: STAHLBERGER	2680 WOODLAWN DR. HONOLULU, HI 96822
DRAWN: STAHLBERGER	INSTRUMENT: SPEX - CROSS DISPERSED SPECTROGRAPH
APPR'D: J. RAYNER	PART NAME: HOUSING
<b>TOLERANCES</b>	
X.X	+/- .015
X.XX	+/- .005
X.XXX	+/- .002
ANGLE	+/- 30 min
FRACTION	+/- 1/32
DRW NO: SJ3-001B	SCALE: 1:4
SIZE: B	JOS NO: 725
	SHEET: 1 OF 1