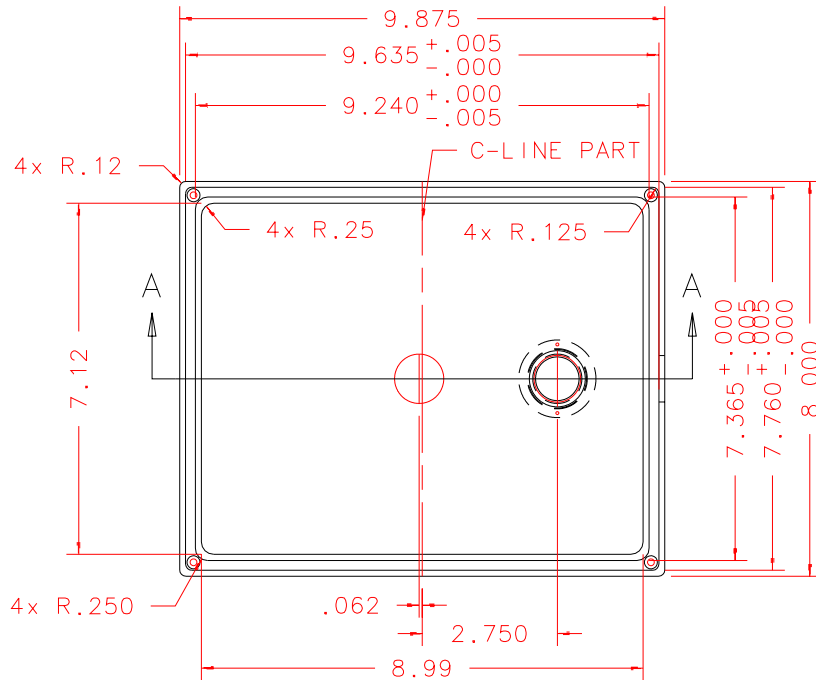


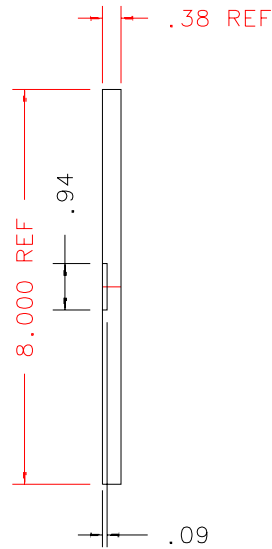
NOTES: UNLESS OTHERWISE NOTED

1. MACHINED SURFACE ROUGHNESS 64
O-RING GROOVES AND SURFACES 32
2. REMOVE ALL BURRS/SHARP CORNERS

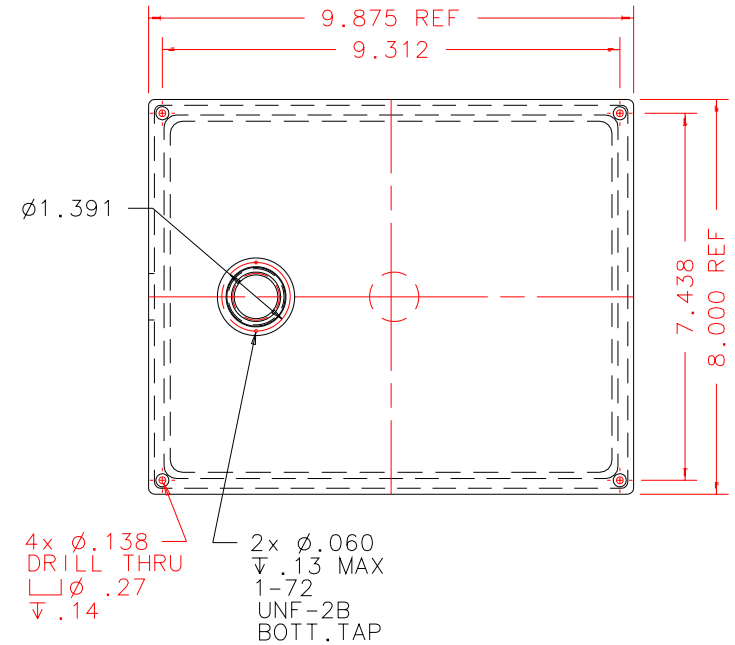
| BILL OF MATERIAL | | | | |
|------------------|-------|----------|-------------|-------------|
| NO. | REQ'D | REF DRW | DESCRIPTION | MATERIAL |
| N/A | 1 | SJ3-012A | COVER PLATE | ALU 6061-T6 |



FRONT



RIGHT



BACK

| | |
|---------------------|--|
| REVDATE: 08/17/99 | REVISION: CHANGES DUE TO ADDED BAFFLES |
| REVDATE: 05/14/99 | REVISION: DIM .22 WAS .19 |
| REVDATE: 04/15/99 | REVISION: ADD RIGHT VIEW, CUTOUT |
| REVDATE: 02/05/98 | REVISION: ADD CIRCULAR GROOVE SECTION A |
| REVDATE: N/A | REVISION: N/A |
| DATE: 11/21/97 | INSTITUTE FOR ASTRONOMY 2680 WOODLAWN DR. HONOLULU, HI 96822 |
| DESIGN: STAHLBERGER | |
| DRAWN: STAHLBERGER | INSTRUMENT: SPEX - CROSS DISPERSED SPECTROGRAPH PART NAME: COVER PLATE TELESCOPE: IRTF |
| APPR'D: J. RAYNER | |
| TOLERANCES | |
| X.X | +/- .015 |
| X.XX | +/- .005 |
| X.XXX | +/- .002 |
| ANGLE | +/- 30 min |
| FRACTION | +/- 1/32 |
| DRW NO: SJ3-012A | SCALE: 1:2 |
| SIZE: A | JOS NO: 725 |
| SHEET: 1 OF 2 | |

PLOT: 10/19/99

SJ3-001B
NEXT ASSY