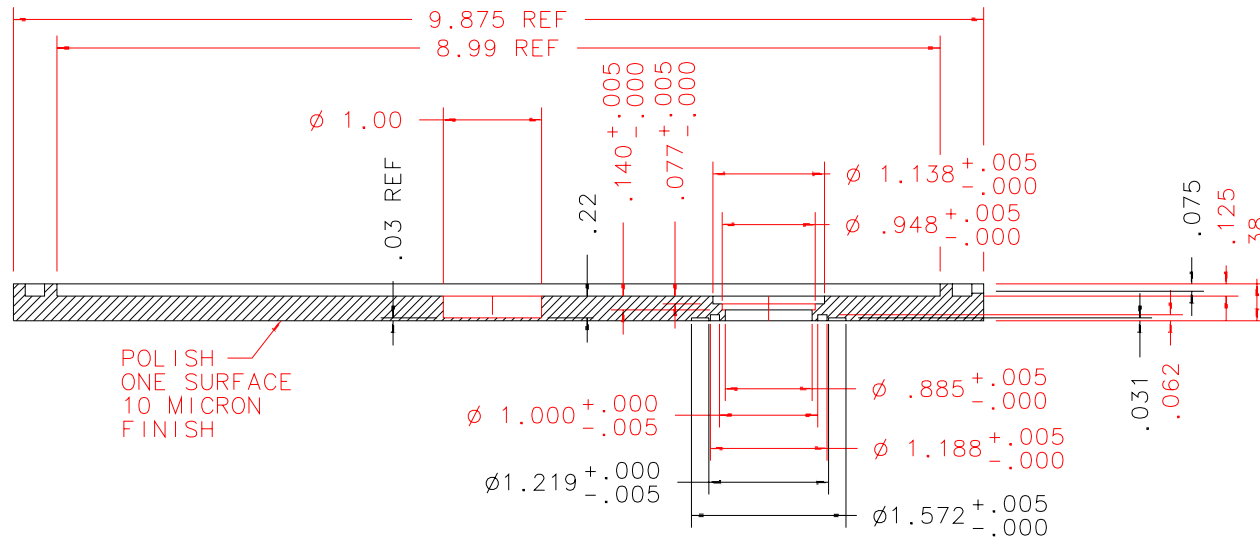


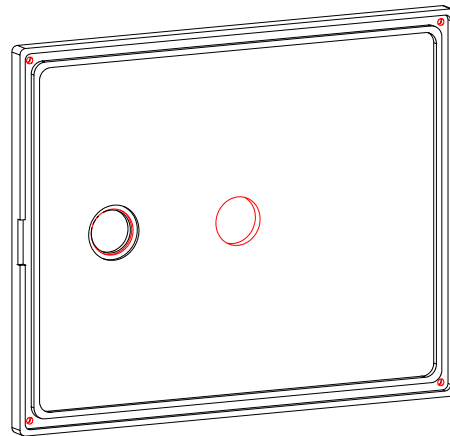
NOTES: UNLESS OTHERWISE NOTED

1. MACHINED SURFACE ROUGHNESS 64  
O-RING GROOVES AND SURFACES 32
2. REMOVE ALL BURRS/SHARP CORNERS

BILL OF MATERIAL				
NO.	REQ'D	REF DRW	DESCRIPTION	MATERIAL
N/A	1	SJ3-012A	COVER PLATE	ALU 6061-T6



SECTION A-A: SCALE 1:2



ISOVIEW 2  
SCALE 1:4

REVDATE: 08/17/99	REVISION: CHANGES DUE TO ADDED BAFFLES
REVDATE: 05/14/99	REVISION: DIM .22 WAS .19
REVDATE: 04/15/99	REVISION: ADD RIGHT VIEW,CUTOUT
REVDATE: 02/05/98	REVISION: ADD CIRCULAR GROOVE SECTION A
REVDATE: N/A	REVISION: N/A
DATE: 11/21/97	<b>INSTITUTE FOR ASTRONOMY</b> 2680 WOODLAWN DR. HONOLULU, HI 96822
DESIGN: STAHLBERGER	
DRAWN: STAHLBERGER	
APPR'D: J. RAYNER	INSTRUMENT: SPEX - CROSS DISPERSED SPECTROGRAPH
<b>TOLERANCES</b>	
X.X	+/- .015
X.XX	+/- .005
X.XXX	+/- .002
ANGLE	+/- 30 min
FRACTION	+/- 1/32
TELESCOPE: IRTF	
DRW NO: SJ3-012A	
SCALE: 1:2	
SIZE: A	JOS NO: 725
SHEET: 2 OF 2	

PLOT:10/19/99

SJ3-001B
NEXT ASSY