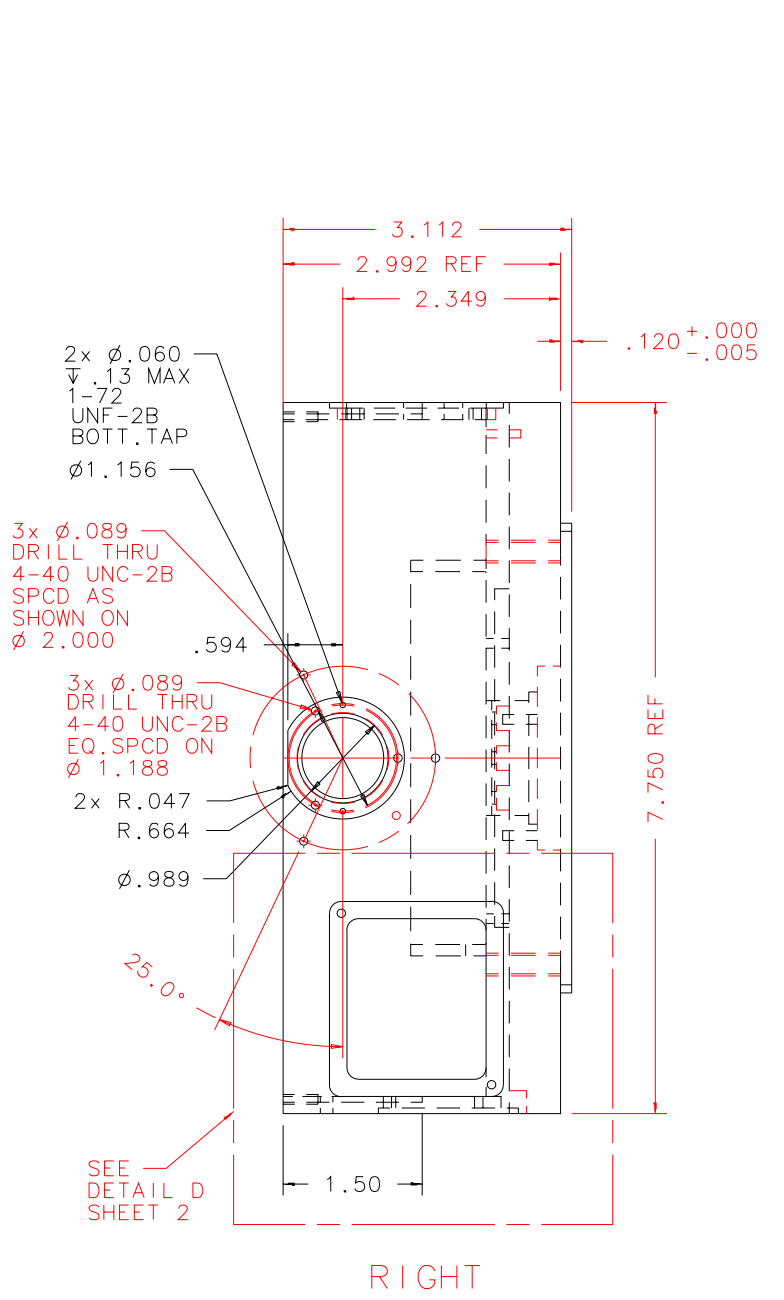
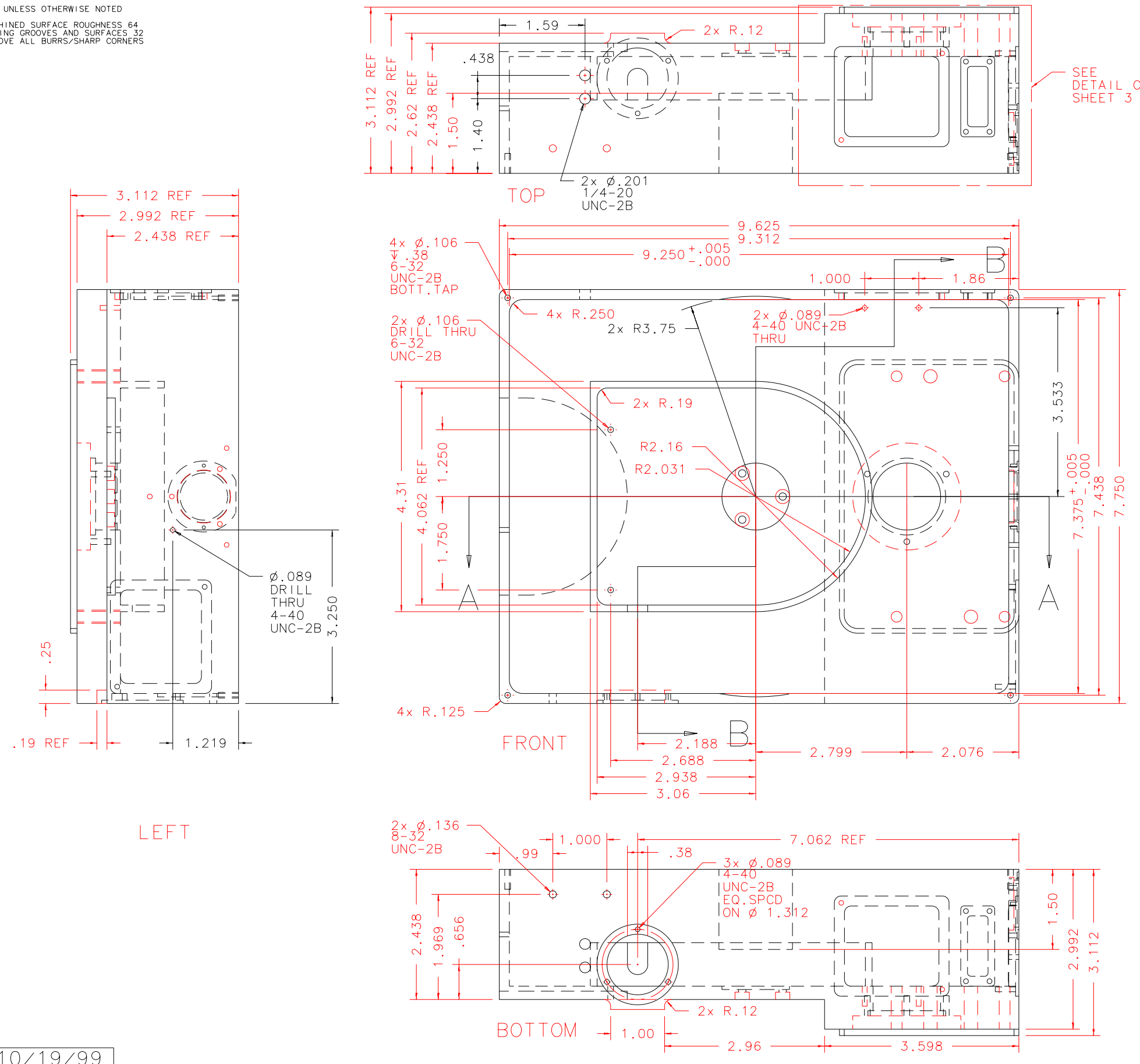


NOTES: UNLESS OTHERWISE NOTED  
 1. MACHINED SURFACE ROUGHNESS 64  
 O-RING GROOVES AND SURFACES 32  
 2. REMOVE ALL BURRS/SHARP CORNERS

BILL OF MATERIAL				
NO.	REQ'D	REF DRW	DESCRIPTION	MATERIAL
N/A	1	SJ3-013B	HOUSING	ALU 6061-T6



REVDATE: 08/18/99	REVISION: BAFFLE GROOVE SHT1 RIGHT	
REVDATE: 05/05/99	REVISION: ADD DETAIL D, SHEET 2	
REVDATE: 04/22/99	REVISION: ADD .094 DIM SHEET2 SECT A-A	
REVDATE: 04/15/99	REVISION: ADD MISSING DIM 3.533 SHEET 1 FRONT	
REVDATE: 09/20/98	REVISION: ADD 2 CLEARANCE CUTS SHEET 1 AND 4	
REVDATE: 09/20/98	REVISION: ADD 1X 4-40 TAPPED HOLE, LEFT VIEW	
REVDATE: N/A	REVISION: N/A	
DATE: 11/20/97	<b>INSTITUTE FOR ASTRONOMY</b>	
DESIGN: STAHLBERGER	2680 WOODLAWN DR. HONOLULU, HI 96822	
DRAWN: STAHLBERGER	INSTRUMENT: SPEX - CROSS DISPERSED SPECTROGRAPH	
APPR'D: J. RAYNER	PART NAME: HOUSING	
<b>TOLERANCES</b>		
X.X	+/- .015	
X.XX	+/- .005	
X.XXX	+/- .002	
ANGLE	+/- 30 min	
FRACTION	+/- 1/32	
SJ3-001B	DRW NO: SJ3-013B	SCALE: 1:2
NEXT ASSY	SIZE: B	JOS NO: 725
		SHEET: 1 OF 4