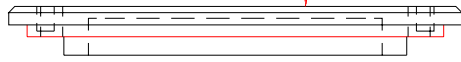


NOTES: UNLESS OTHERWISE NOTED

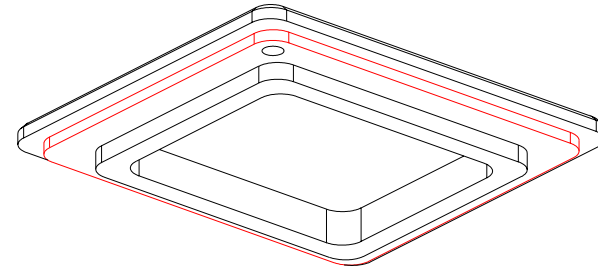
1. MACHINED SURFACE ROUGHNESS 64
O-RING GROOVES AND SURFACES 32
2. REMOVE ALL BURRS/SHARP CORNERS

POLISH ONE SURFACE TO 10 MICRON FINISH

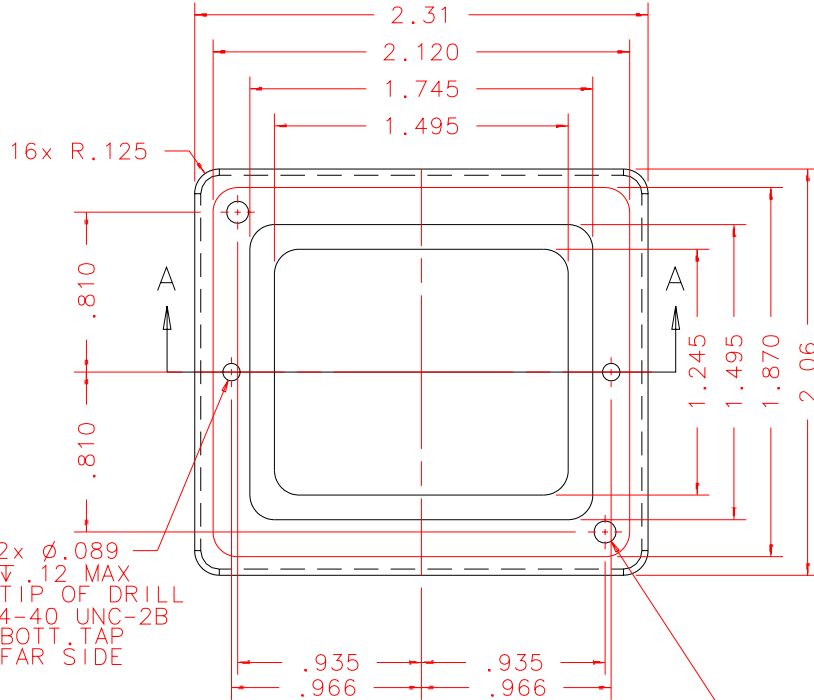


TOP

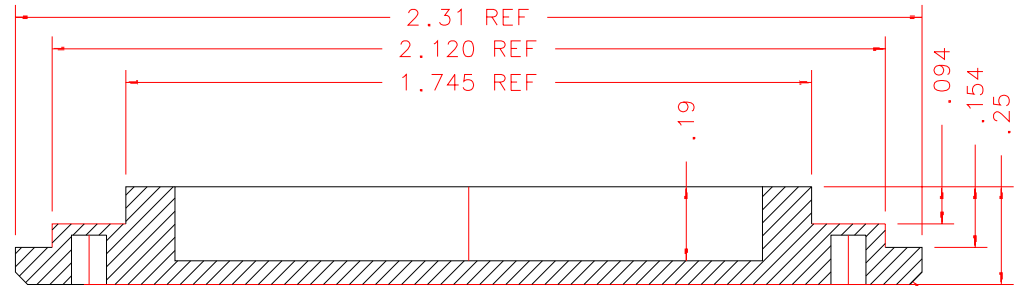
BILL OF MATERIAL				
NO.	REQ'D	REF DRW	DESCRIPTION	MATERIAL
N/A	2	SJ3-014A	HALL ACCESS COVER	ALU 6061-T6



ISOVIEW
SCALE FULL



FRONT



SECTION A-A: SCALE 2:1

REVDATE: 05/06/99	REVISION: CH'D QTY, ADD 2 x 4-40 HLS
REVDATE: N/A	REVISION: N/A
DATE: 11/21/97	INSTITUTE FOR ASTRONOMY
DESIGN: STAHLBERGER	2680 WOODLAWN DR. HONOLULU, HI 96822
DRAWN: STAHLBERGER	INSTRUMENT: SPEX - CROSS DISPERSED SPECTROGRAPH
APPR'D: J. RAYNER	PART NAME: HALL ACCESS COVER
TOLERANCES	
X.X	+/- .015
X.XX	+/- .005
X.XXX	+/- .002
ANGLE	+/- 30 min
FRACTION	+/- 1/32
TELESCOPE: IRTF	
DRW NO: SJ3-014A	SCALE: 1:1
SIZE: A	JOS NO: 725
	SHEET: 1 OF 1

PLOT:10/19/99

SJ3-001B

NEXT ASSY