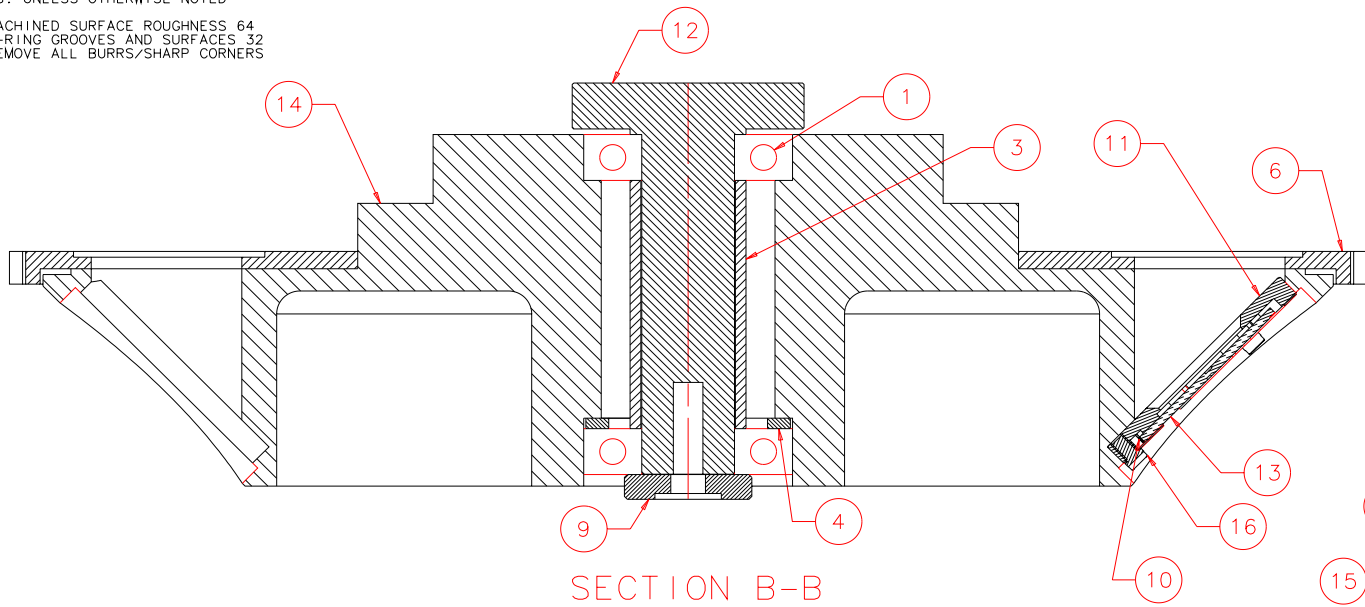
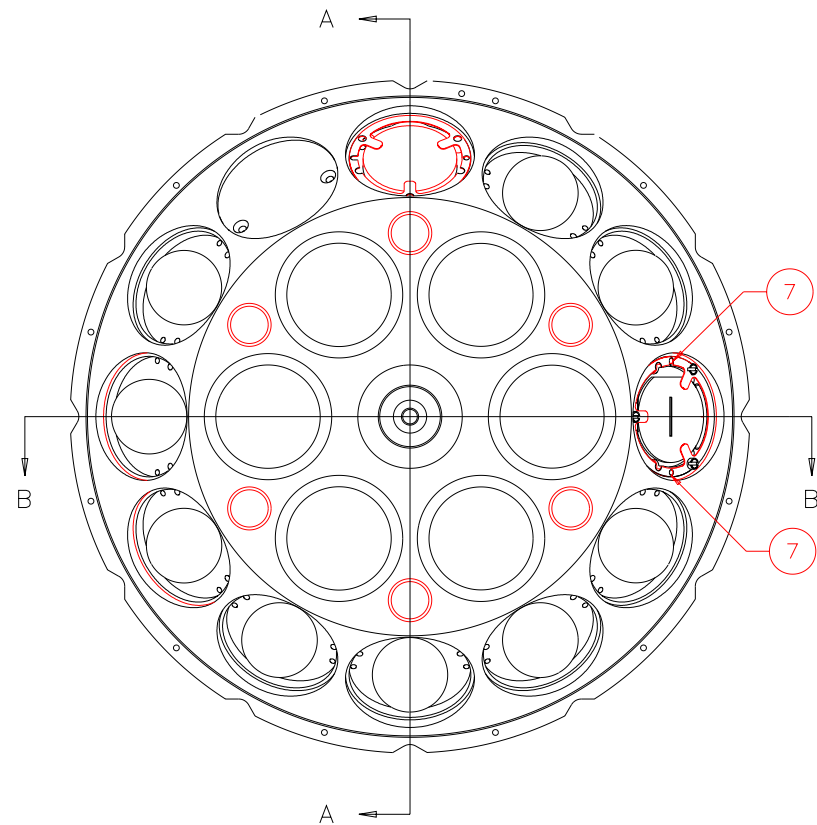


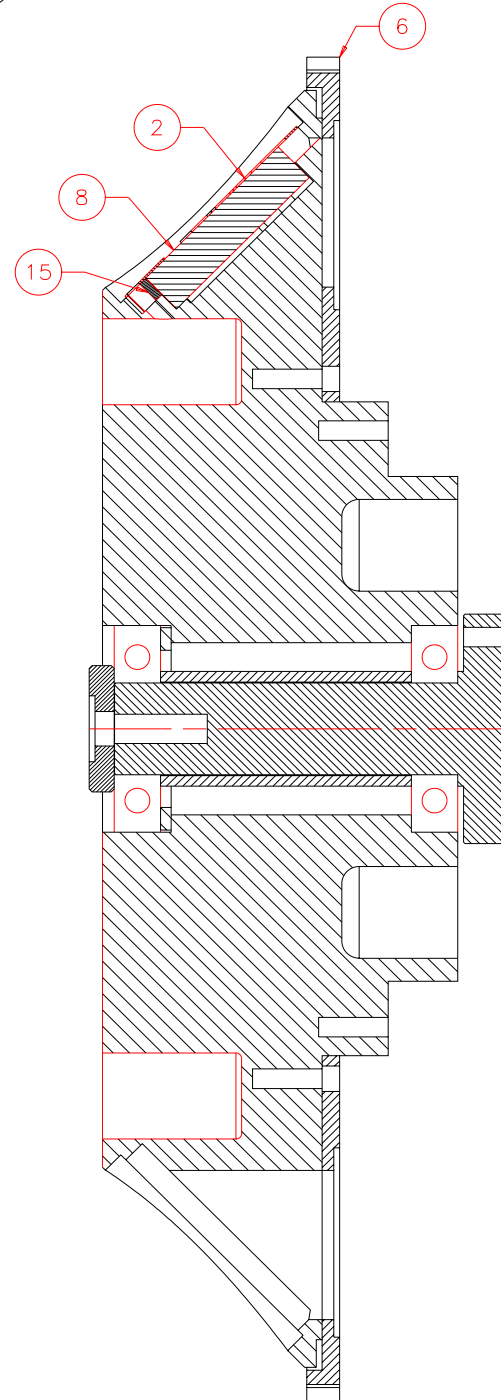
NOTES: UNLESS OTHERWISE NOTED
 1. MACHINED SURFACE ROUGHNESS 64
 O-RING GROOVES AND SURFACES 32
 2. REMOVE ALL BURRS/SHARP CORNERS



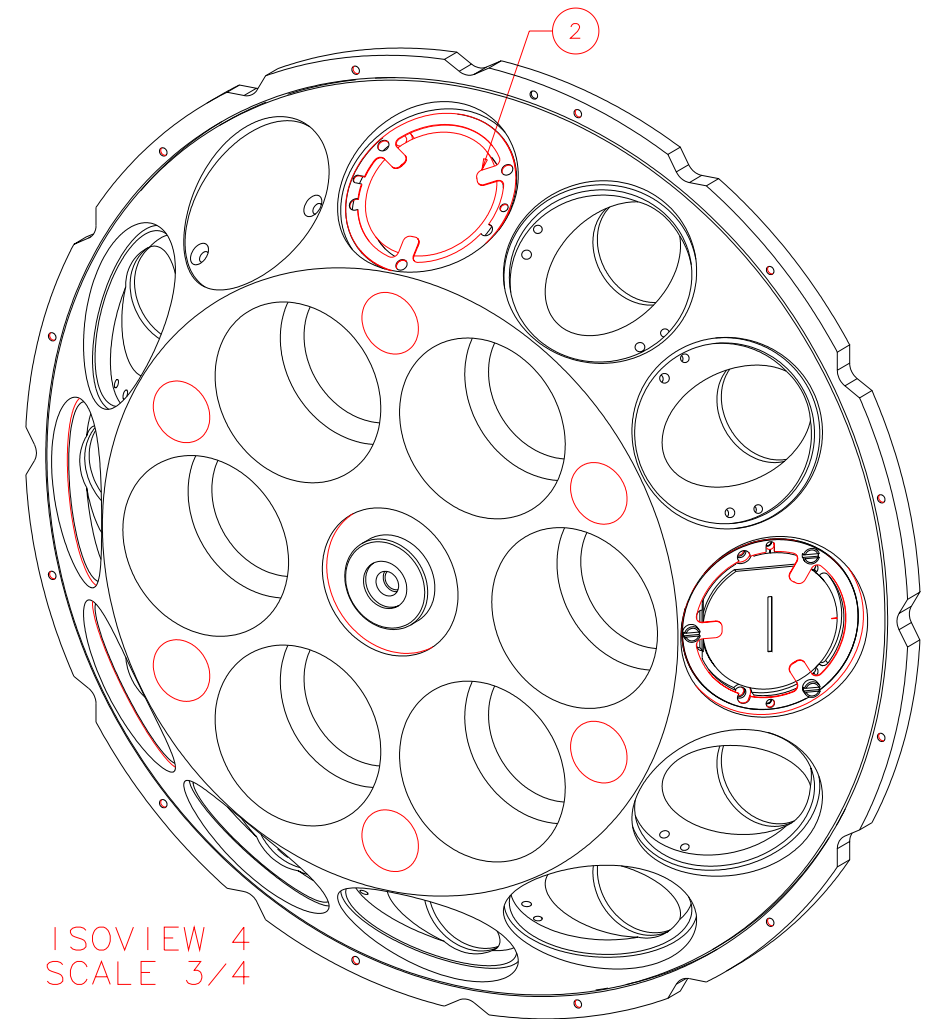
SECTION B-B
SCALE FULL



FRONT
SCALE 1:2



SECTION A-A
SCALE 1:1



ISOVIEW 4
SCALE 3/4

| BILL OF MATERIAL | | | | | |
|------------------|-------|----------|---------------------------------|---------------|--|
| NO. | REQ'D | REF DRW | DESCRIPTION | MATERIAL | |
| N/A | 1 | SJ4-001B | WHEEL | N/A | |
| 1 | 2 | N/A | DEEP GROOVE BALL BRG SR8 BARDEN | STAINLESS | |
| 2 | 12 | SJ4-011A | AXIAL RETAINER | PHOS.BRONZE | |
| 3 | 1 | SJ4-012A | BEARING SPACER | ALU 6061-T6 | |
| 4 | 1 | N/A | BRG.PRELOAD SPRING SV-6(BERG) | STAINLESS | |
| 5 | 1 | SJ4-025A | BLANKOFF COVER(NOT SHOWN) | ALU 6061-T6 | |
| 6 | 1 | SJ4-013A | DETENT RING | ALU 6061-T6 | |
| 7 | 24 | N/A | DOWEL PIN D12-7(BERG) | STAINLESS | |
| 8 | 1 | N/A | MIRROR DUMMY | GLASS | |
| 9 | 1 | SJ4-019A | PRESSURE PAD | ALU 6061-T6 | |
| 10 | 12 | SJ4-027A | RADIAL SPRING | PHOS.BRONZE | |
| 11 | 12 | SJ4-020A | SLIT MODULE | ALU 6061-T6 | |
| 12 | 1 | SJ4-021A | SLIT SHAFT | STAINLESS 303 | |
| 13 | N/A | SJ4-022A | SLIT SUBSTRATE | GLASS | |
| 14 | 1 | SJ4-023B | SLITWHEEL | ALU 6061-T6 | |
| 15 | 3 | SJ4-024A | STANDOFF | ALU 6061-T6 | |
| 16 | 36 | SJ4-029A | BUTTON HEAD CUSTOM | STAINLESS | |

| | |
|---------------------|---|
| REVDATE: 05/14/99 | REVISION: ITEM BALLOON 9 CHANGED |
| REVDATE: N/A | REVISION: N/A |
| DATE: 01/28/98 | INSTITUTE FOR ASTRONOMY |
| DESIGN: STAHLBERGER | 2680 WOODLAWN DR. HONOLULU, HI 96822 |
| DRAWN: STAHLBERGER | INSTRUMENT: SPEX - CROSS DISPERSED SPECTROGRAPH |
| APPR'D: J. RAYNER | PART NAME: WHEEL |
| TOLERANCES | TELESCOPE: IRTF |
| X.X +/- .015 | |
| X.XX +/- .005 | |
| X.XXX +/- .002 | |
| ANGLE +/- 30 min | |
| FRACTION +/- 1/32 | |
| SJ0-001B | DRW NO: SJ4-001B |
| NEXT ASSY | SCALE: NOTED |
| | SIZE: B |
| | JOS NO: 725 |
| | SHEET: 1 OF 1 |