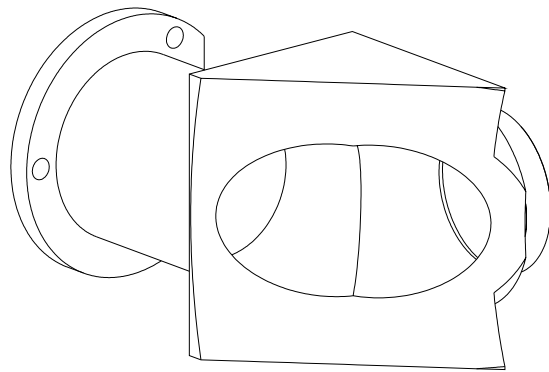


NOTES: UNLESS OTHERWISE NOTED

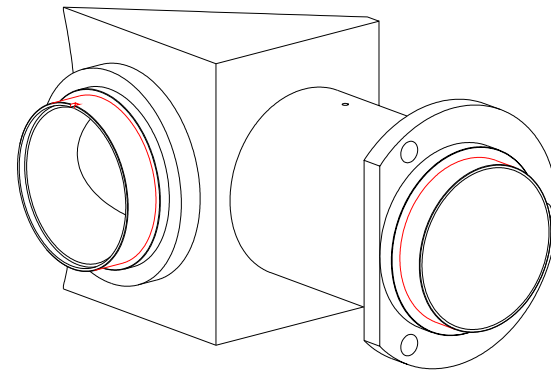
1. MACHINED SURFACE ROUGHNESS 64  
O-RING GROOVES AND SURFACES 32
2. REMOVE ALL BURRS/SHARP CORNERS

BILL OF MATERIAL

NO.	REQ'D	REF DRW	DESCRIPTION	MATERIAL
N/A	1	SJ4-014A	ENTRANCE BAFFLE	ALU 6061-T6



ISOVIEW 5  
SCALE FULL



ISOVIEW 4  
SCALE FULL

REVDATE: 04/09/99	REVISION: DIM .961 WAS .958
REVDATE: 04/03/99	REVISION: DIM .689 WAS R.689
REVDATE: 04/07/98	REVISION: ADD SLOT AND 1/32 HOLE
REVDATE: N/A	REVISION: N/A
DATE: 11/24/97	<b>INSTITUTE FOR ASTRONOMY</b> 2680 WOODLAWN DR. HONOLULU, HI 96822
DESIGN: STAHLBERGER	
DRAWN: STAHLBERGER	INSTRUMENT: SPEX - CROSS DISPERSED SPECTROGRAPH PART NAME: ENTRANCE BAFFLE TELESCOPE: IRTF
APPR'D: J. RAYNER	
<b>TOLERANCES</b>	
X.X	+/- .015
X.XX	+/- .005
X.XXX	+/- .002
ANGLE	+/- 30 min
FRACTION	+/- 1/32
DRW NO: SJ4-014A	SCALE: NOTED
SIZE: A	JOS NO: 725
SHEET: 3 OF 3	

SJ3-001B
NEXT ASSY

PLOT: 10/19/99