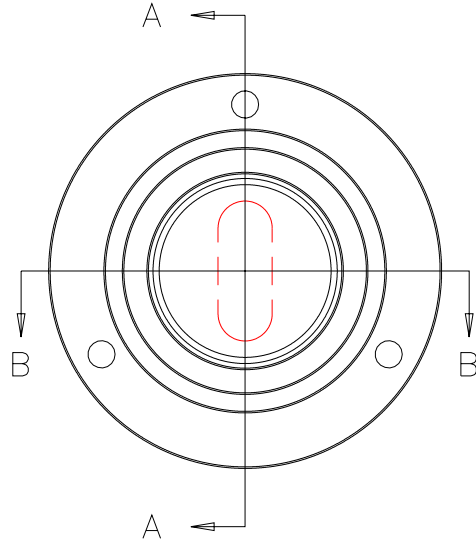


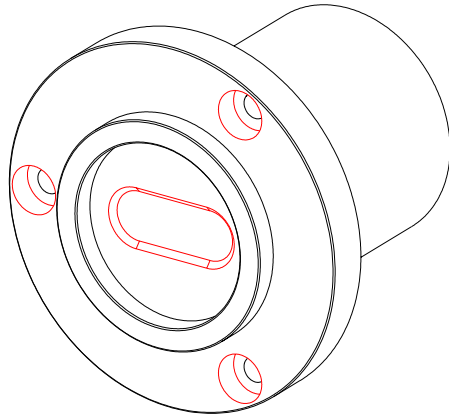
NOTES: UNLESS OTHERWISE NOTED

1. MACHINED SURFACE ROUGHNESS 64  
O-RING GROOVES AND SURFACES 32
2. REMOVE ALL BURRS/SHARP CORNERS

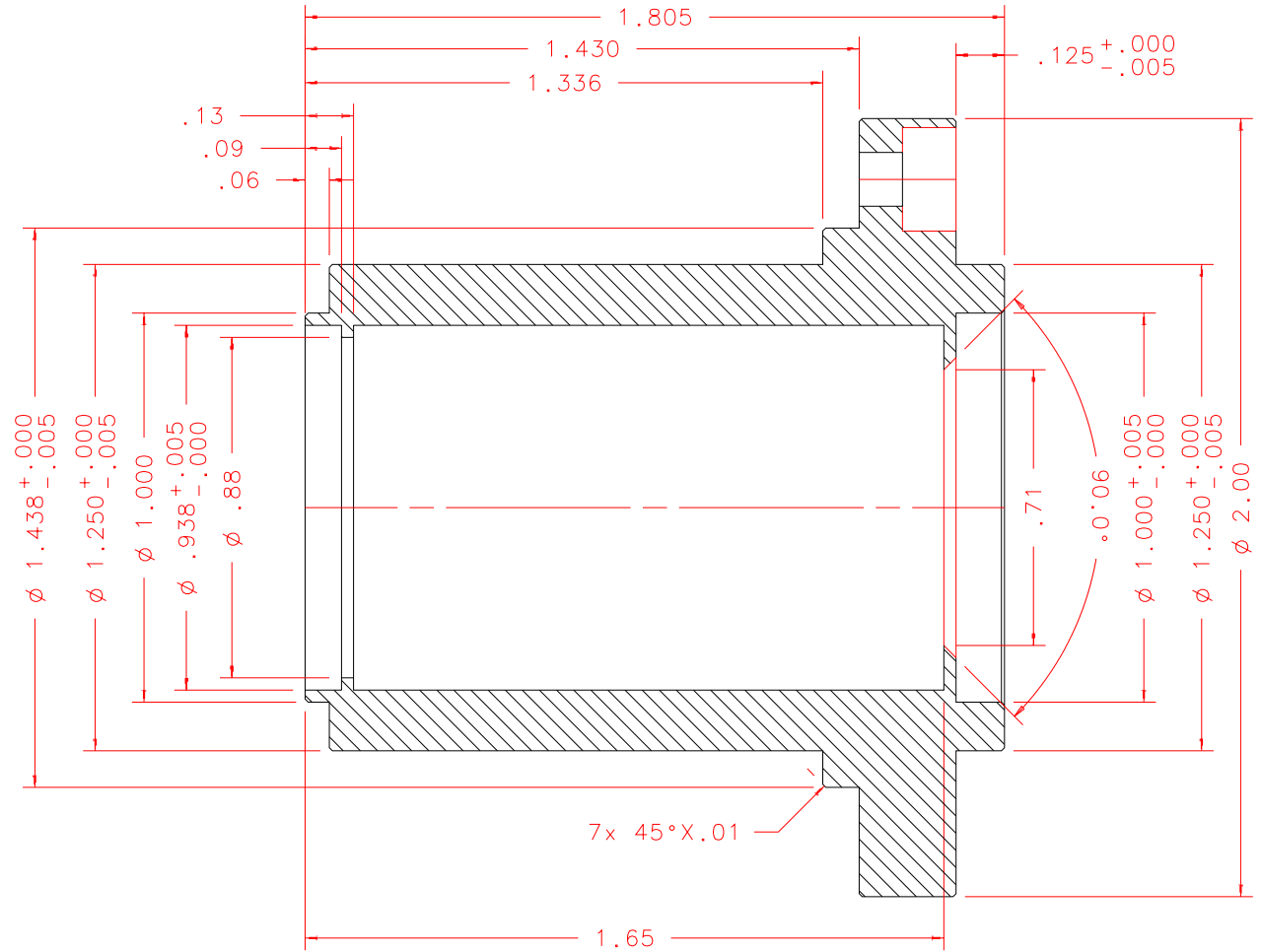
BILL OF MATERIAL				
NO.	REQ'D	REF DRW	DESCRIPTION	MATERIAL
N/A	1	SJ4-015A	EXIT BAFFLE	ALU 6061-T6



FRONT: SCALE 1:1



ISOVIEW 5  
FULL SCALE



SECTION A-A: SCALE 2:1

PLOT: 10/19/99

SJ3-001B
NEXT ASSY

REVDATE: N/A	REVISION: N/A
DATE: 11/24/97	<b>INSTITUTE FOR ASTRONOMY</b> 2680 WOODLAWN DR. HONOLULU, HI 96822
DESIGN: STAHLBERGER	
DRAWN: STAHLBERGER	INSTRUMENT: SPEX - CROSS DISPERSED SPECTROGRAPH
APPR'D: J. RAYNER	PART NAME: EXIT BAFFLE
<b>TOLERANCES</b>	
X.X	+/- .015
X.XX	+/- .005
X.XXX	+/- .002
ANGLE	+/- 30 min
FRACTION	+/- 1/32
TELESCOPE: IRTF	
DRW NO: SJ4-015A	SCALE: NOTED
SIZE: A	JOS NO: 725
SHEET: 1 OF 2	