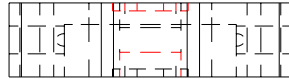


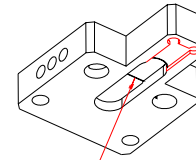
NOTES: UNLESS OTHERWISE NOTED

1. MACHINED SURFACE ROUGHNESS 64
O-RING GROOVES AND SURFACES 32
2. REMOVE ALL BURRS/SHARP CORNERS

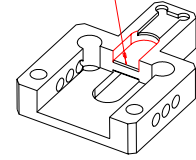
BILL OF MATERIAL				
NO.	REQ'D	REF DRW	DESCRIPTION	MATERIAL
N/A	1	SJ4-017A	HALL SENSOR CARRIER	ALU 6061-T6



TOP



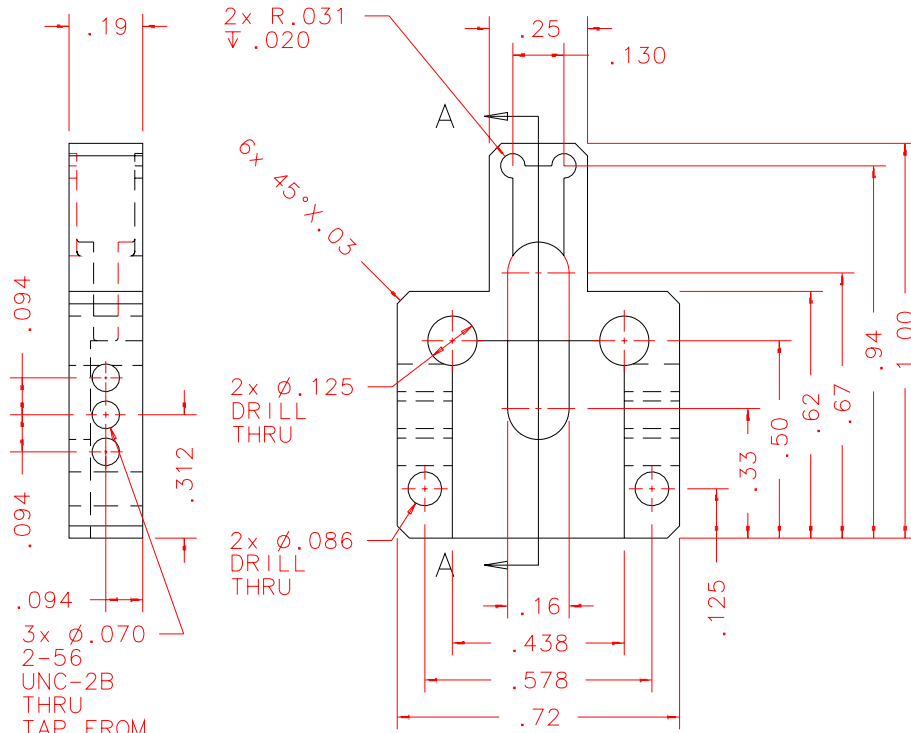
R.01
2 PLCS



R .01
2 PLCS

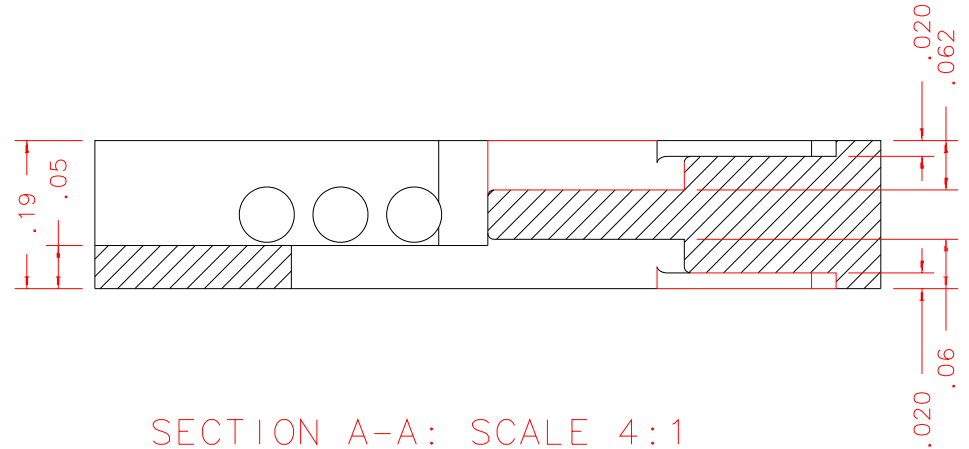
ISOVIEW 5
SCALE FULL

ISOVIEW 4
SCALE FULL



LEFT

FRONT



SECTION A-A: SCALE 4:1

PLOT: 10/19/99

SJ3-001B	REVDATE: 05/05/98	REVISION: ADD MORE 2-56 TAPPED HOLES
NEXT ASSY	REVDATE: N/A	REVISION: N/A
	DATE: 11/24/97	INSTITUTE FOR ASTRONOMY
	DESIGN: STAHLBERGER	2680 WOODLAWN DR. HONOLULU, HI 96822
	DRAWN: STAHLBERGER	INSTRUMENT: SPEX - CROSS DISPERSED SPECTROGRAPH
	APPR'D: J. RAYNER	PART NAME: HALL SENSOR CARRIER
	TOLERANCES	TELESCOPE: IRTF
	X.X +/- .015	
	X.XX +/- .005	
	X.XXX +/- .002	DRW NO: SJ4-017A
	ANGLE +/- 30 min	SCALE: 2:1
	FRACTION +/- 1/32	SIZE: A
		JOS NO: 725
		SHEET: 1 OF 1