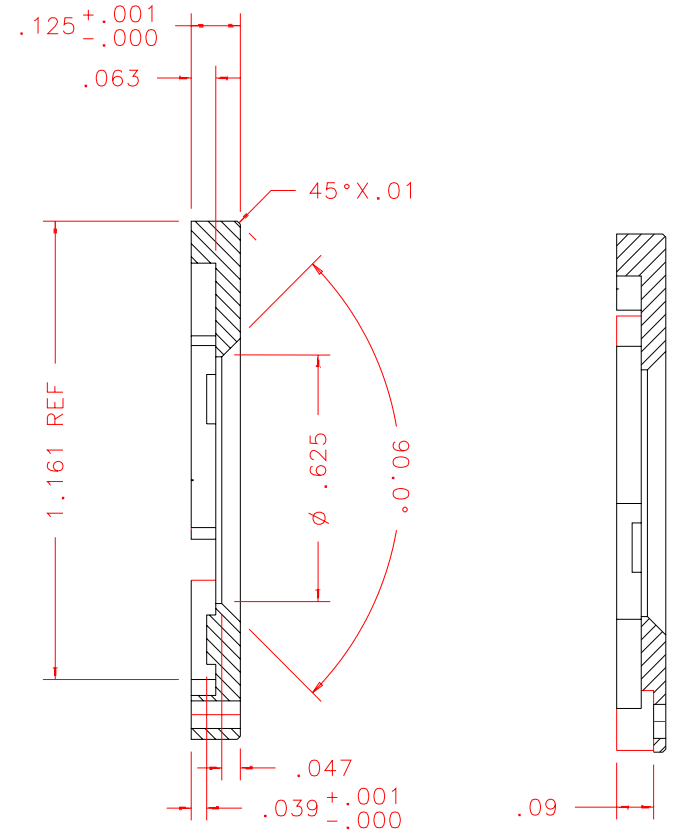
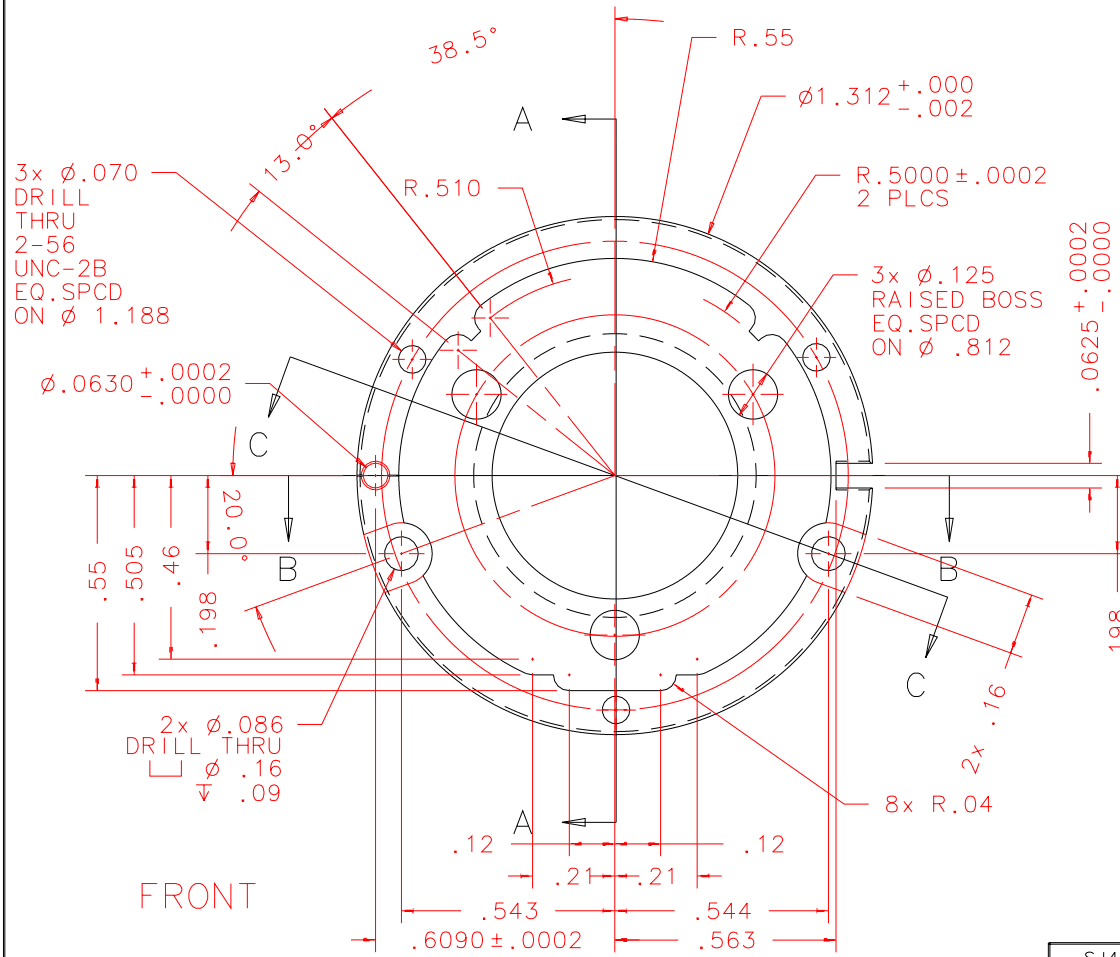
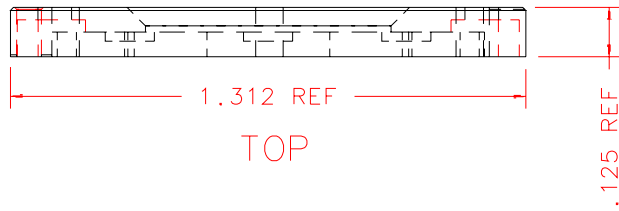


NOTES: UNLESS OTHERWISE NOTED

1. MACHINED SURFACE ROUGHNESS 64
O-RING GROOVES AND SURFACES 32
2. REMOVE ALL BURRS/SHARP CORNERS

BILL OF MATERIAL				
NO.	REQ'D	REF DRW	DESCRIPTION	MATERIAL
N/A	12	SJ4-020A	SLIT MODULE	HARD BRASS



REVDATE: 04/21/99	REVISION: UPDATE DRAWING
REVDATE: N/A	REVISION: N/A
DATE: 11/28/97	INSTITUTE FOR ASTRONOMY
DESIGN: STAHLBERGER	2680 WOODLAWN DR. HONOLULU, HI 96822
DRAWN: STAHLBERGER	INSTRUMENT: SPEX - CROSS DISPERSED SPECTROGRAPH
APPR'D: J. RAYNER	PART NAME: SLIT MODULE
TOLERANCES	
X.X	+/- .015
X.XX	+/- .005
X.XXX	+/- .002
ANGLE	+/- 30 min
FRACTION	+/- 1/32
TELESCOPE: IRTF	
DRW NO: SJ4-020A	
SCALE: 2:1	
SIZE: A	JOS NO: 725
SHEET: 1 OF 2	

PLOT: 10/19/99

SJ4-001B
NEXT ASSY