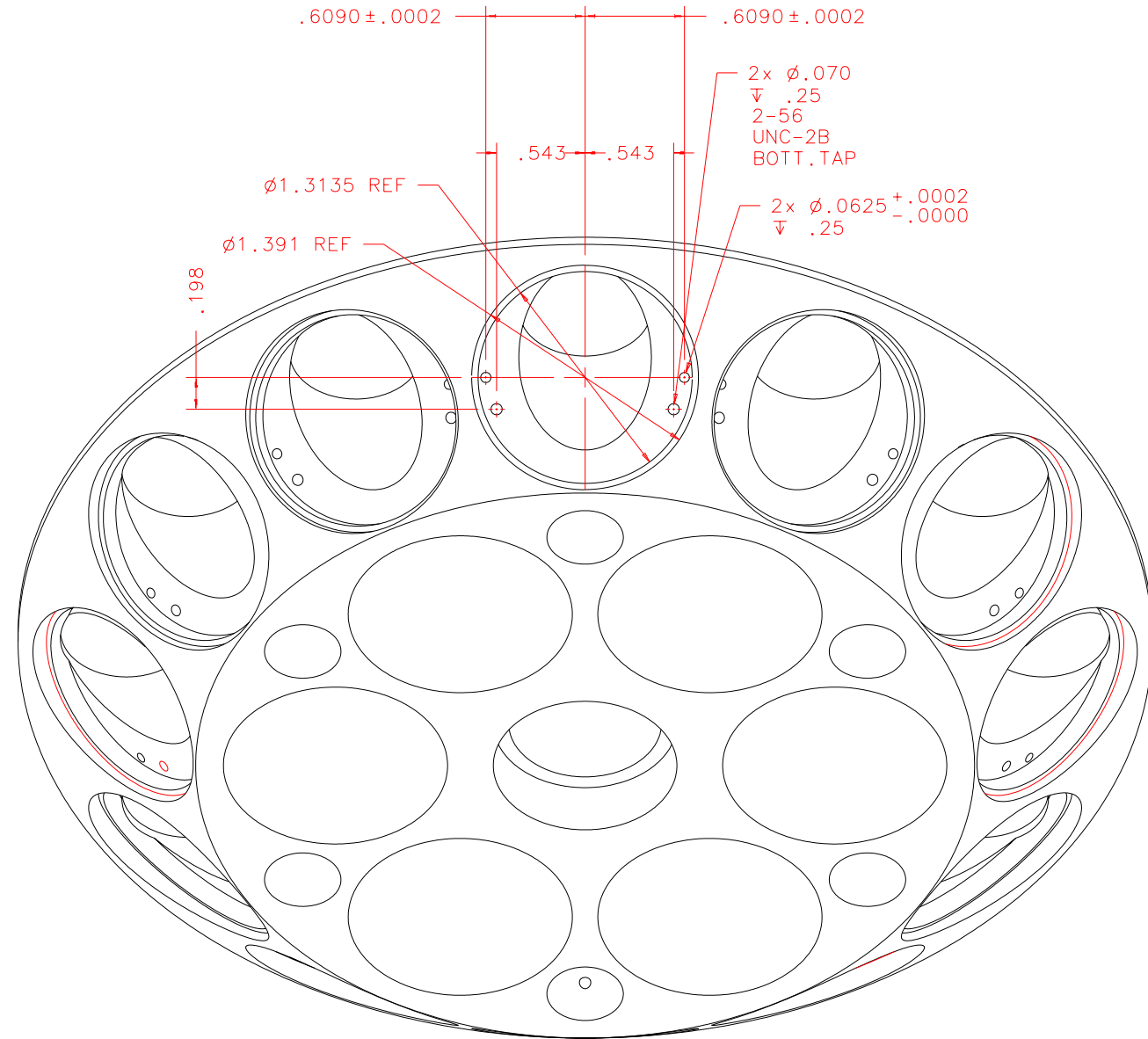
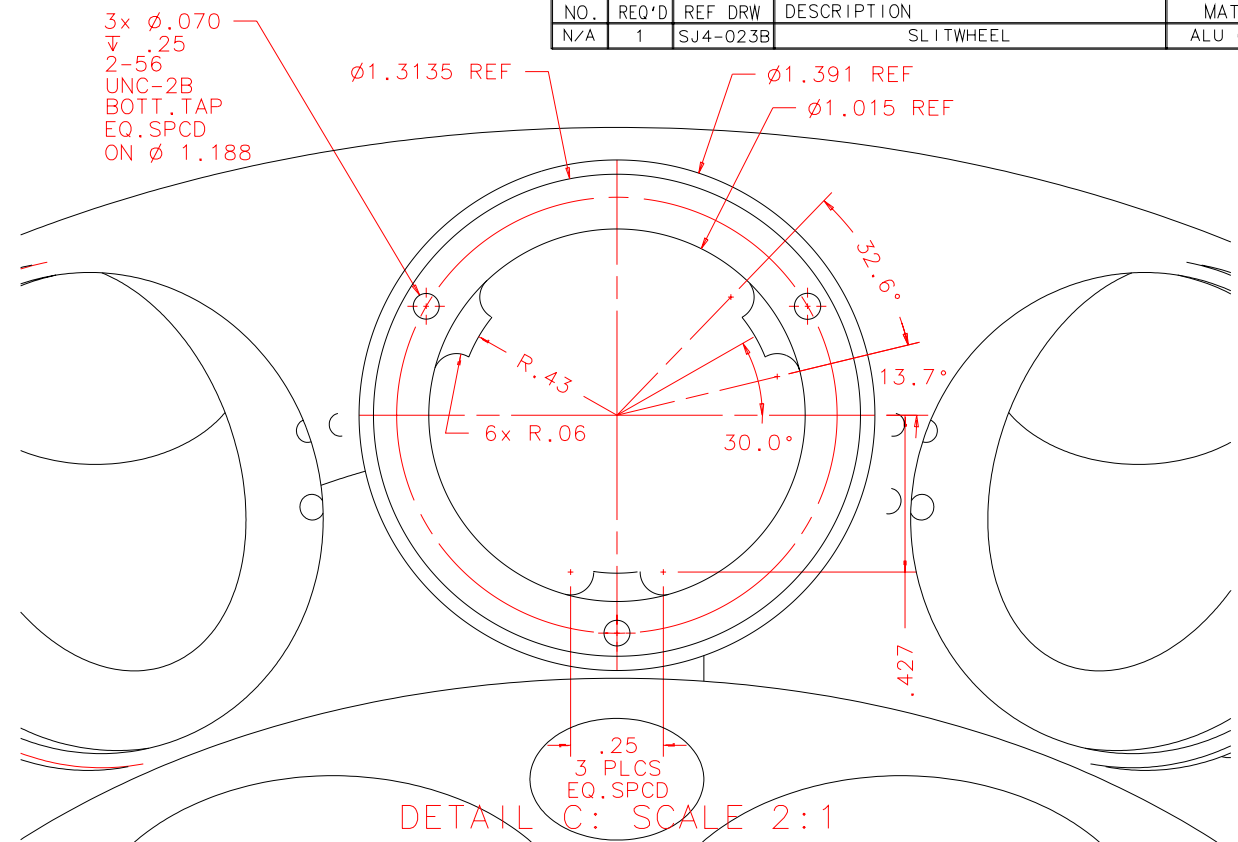


NOTES: UNLESS OTHERWISE NOTED
 1. MACHINED SURFACE ROUGHNESS 64
 O-RING GROOVES AND SURFACES 32
 2. REMOVE ALL BURRS/SHARP CORNERS

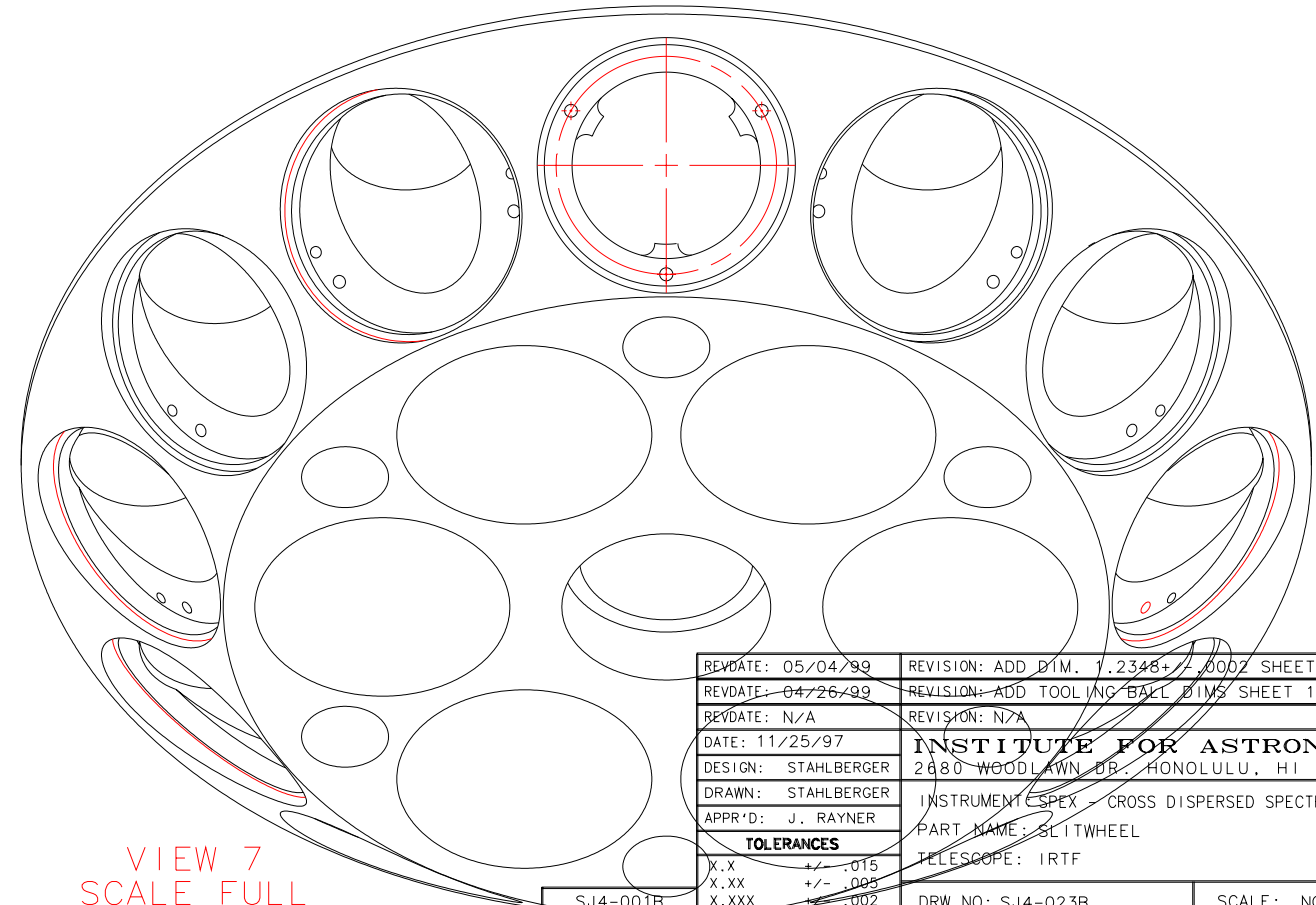
BILL OF MATERIAL				
NO.	REQ'D	REF DRW	DESCRIPTION	MATERIAL
N/A	1	SJ4-023B	SLITWHEEL	ALU 6061-T6



DETAIL VIEW 6
 TYPICAL FOR
 11 LOCATIONS
 SCALE FULL



DETAIL C: SCALE 2:1



VIEW 7
 SCALE FULL

REVDATE: 05/04/99	REVISION: ADD DIM. 1.2348 ± .0002 SHEET 1
REVDATE: 04/26/99	REVISION: ADD TOOLING BALL DIMS SHEET 1
REVDATE: N/A	REVISION: N/A
DATE: 11/25/97	INSTITUTE FOR ASTRONOMY
DESIGN: STAHLBERGER	2680 WOODLAWN DR. HONOLULU, HI 96822
DRAWN: STAHLBERGER	INSTRUMENT SPEX - CROSS DISPERSED SPECTROGRAPH
APPR'D: J. RAYNER	PART NAME: SLITWHEEL
TOLERANCES	
X.X	+/- .015
X.XX	+/- .005
X.XXX	+/- .002
ANGLE	+/- 30 min
FRACTION	+/- 1/32
SJ4-001B	DRW NO: SJ4-023B
NEXT ASSY	SCALE: NOTED
	SIZE: B
	JOS NO: 725
	SHEET: 3 OF 4