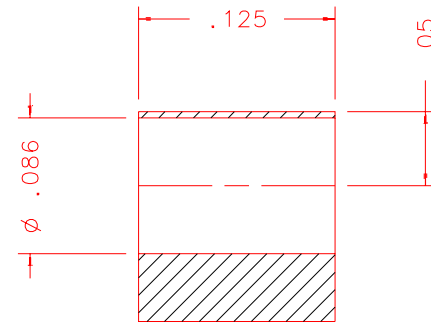
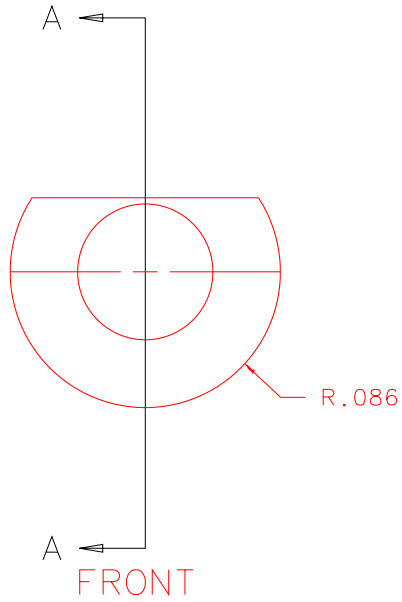


NOTES: UNLESS OTHERWISE NOTED

1. MACHINED SURFACE ROUGHNESS 64  
O-RING GROOVES AND SURFACES 32
2. REMOVE ALL BURRS/SHARP CORNERS

BILL OF MATERIAL

NO.	REQ'D	REF DRW	DESCRIPTION	MATERIAL
N/A	3	SJ4-024A	STANDOFF	ALU 6061-T6



SECTION A-A

PLOT: 10/19/99

SJ4-001B  
NEXT ASSY

REVDATE: N/A	REVISION: N/A		
DATE: 11/26/97	<b>INSTITUTE FOR ASTRONOMY</b> 2680 WOODLAWN DR. HONOLULU, HI 96822		
DESIGN: STAHLBERGER			
DRAWN: STAHLBERGER			
APPR'D: J. RAYNER			
<b>TOLERANCES</b>			
X.X +/- .015	INSTRUMENT: SPEX - CROSS DISPERSED SPECTROGRAPH PART NAME: STANDOFF TELESCOPE: IRTF		
X.XX +/- .005			
X.XXX +/- .002			
ANGLE +/- 30 min			
FRACTION +/- 1/32			
SIZE: A	JOS NO: 725	DRW NO: SJ4-024A	SCALE: 8:1
		SHEET: 1 OF 1	