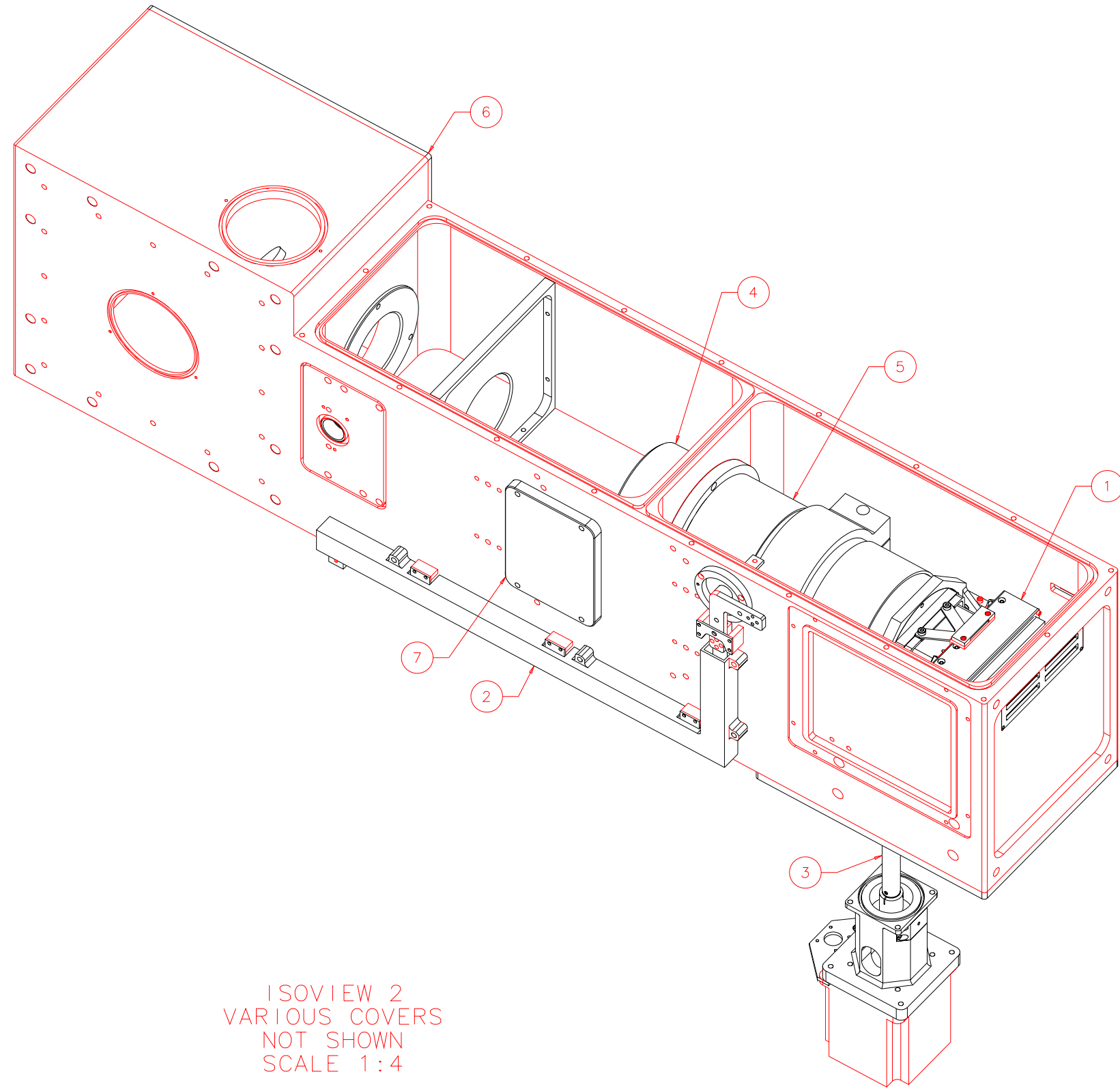
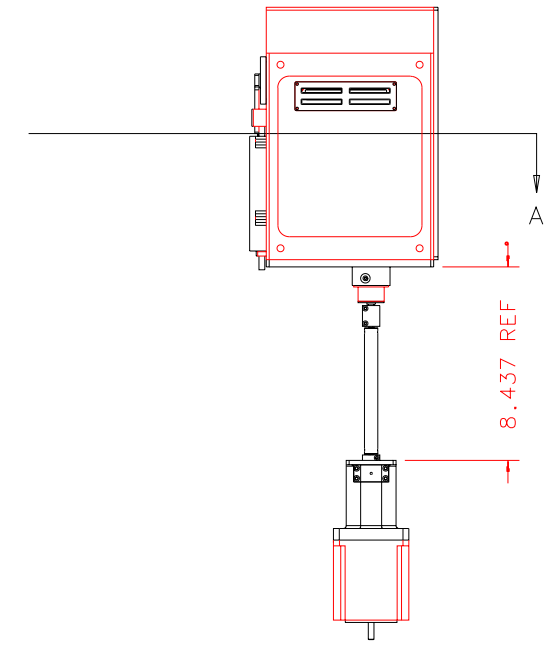


NOTES: UNLESS OTHERWISE NOTED
 1. MACHINED SURFACE ROUGHNESS 64
 O-RING GROOVES AND SURFACES 32
 2. REMOVE ALL BURRS/SHARP CORNERS



ISOVIEW 2
 VARIOUS COVERS
 NOT SHOWN
 SCALE 1:4

BILL OF MATERIAL				
NO.	REQ'D	REF DRW	DESCRIPTION	MATERIAL
N/A	1	SNO-001B	ALADDIN SPECTROGRAPH	N/A
1	1	SM0-001B	ALADDIN GENERIC(ASSEMBLY)	N/A
2	1	SN2-001B	COLD BUS BAR(ASSEMBLY)	N/A
3	1	SN3-001B	FLEX STAGE MECH(ASSEMBLY)	N/A
4	1	SN4-001B	LENS&MIRROR MOUNTS(ASSEMBLY)	N/A
5	1	SN5-001B	SPECTROGRAPH BAFFLES(ASSEMBLY)	N/A
6	1	SE3-001B	SPECTROGRAPH HOUSING(ASSEMBLY)	N/A
7	1	SN6-001A	OAP(ASSEMBLY)	N/A



FRONT
 SCALE 1:8

REVDATE: 09/30/99	REVISION: UPDATE DRAWING
REVDATE: 12/10/98	REVISION: UPDATE DRAWING (OAP,ALADDIN)
REVDATE: N/A	REVISION: N/A
DATE: 02/02/98	INSTITUTE FOR ASTRONOMY
DESIGN: STAHLBERGER	2680 WOODLAWN DR. HONOLULU, HI 96822
DRAWN: STAHLBERGER	INSTRUMENT: SPEX - CROSS DISPERSED SPECTROGRAPH
APPR'D: J. RAYNER	PART NAME: ALADDIN SPECTROGRAPH
TOLERANCES	TELESCOPE: IRTF
X.X +/- .015	
X.XX +/- .005	
X.XXX +/- .002	
ANGLE +/- 30 min	
FRACTION +/- 1/32	
S00-001B	DRW NO: SNO-001B
NEXT ASSY	SCALE: NOTED
	SIZE: B
	JOS NO: 725
	SHEET: 1 OF 2

PLOT: 10/19/99