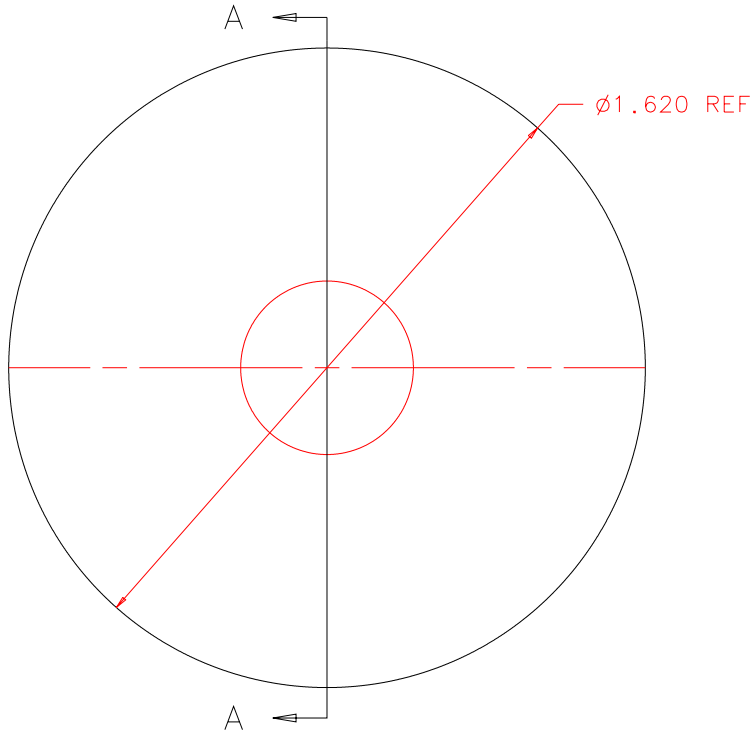


NOTES: UNLESS OTHERWISE NOTED

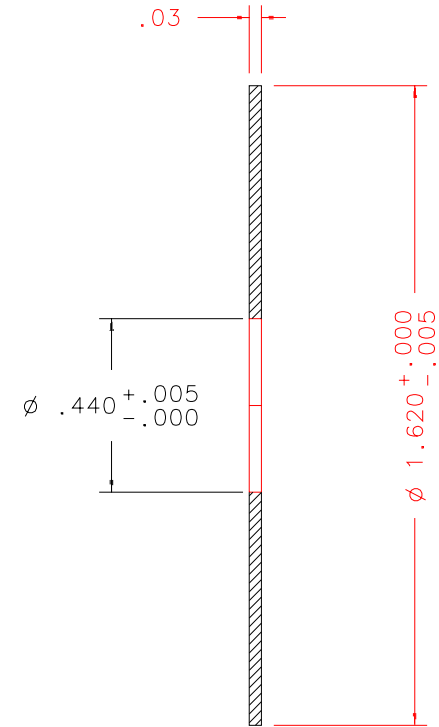
1. MACHINED SURFACE ROUGHNESS 64
O-RING GROOVES AND SURFACES 32
2. REMOVE ALL BURRS/SHARP CORNERS

BILL OF MATERIAL

NO.	REQ'D	REF DRW	DESCRIPTION	MATERIAL
N/A	1	SN1-014A	INSULATION DISK	G-10



FRONT



SECTION A-A

REVDATE: 02/24/99	REVISION: DIA .440 WAS .257
REVDATE: N/A	REVISION: N/A
DATE: 12/20/97	INSTITUTE FOR ASTRONOMY 2680 WOODLAWN DR. HONOLULU, HI 96822
DESIGN: STAHLBERGER	
DRAWN: STAHLBERGER	INSTRUMENT: SPEX - CROSS DISPERSED SPECTROGRAPH
APPR'D: J. RAYNER	PART NAME: INSULATION DISK
TOLERANCES	
X.X	+/- .015
X.XX	+/- .005
X.XXX	+/- .002
ANGLE	+/- 30 min
FRACTION	+/- 1/32
TELESCOPE: IRTF	
DRW NO: SN1-014A	SCALE: 2:1
SIZE: A	JOS NO: 725
SHEET: 1 OF 1	

SN2-001B
NEXT ASSY

PLOT:10/19/99