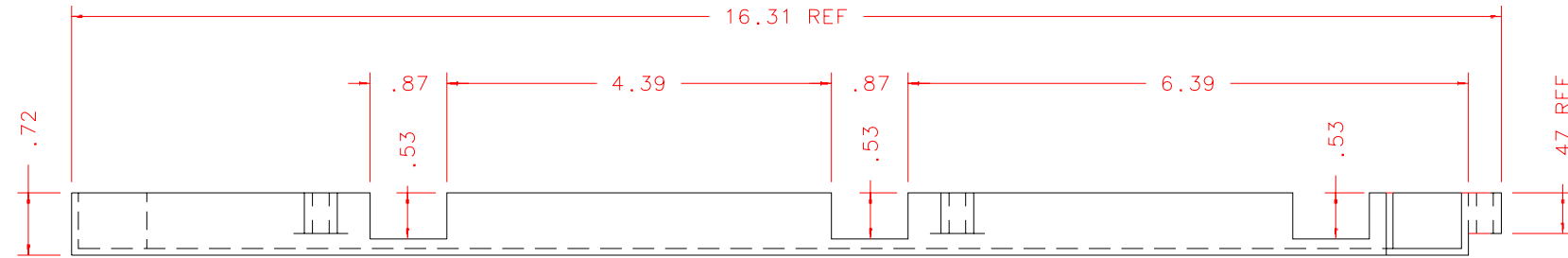


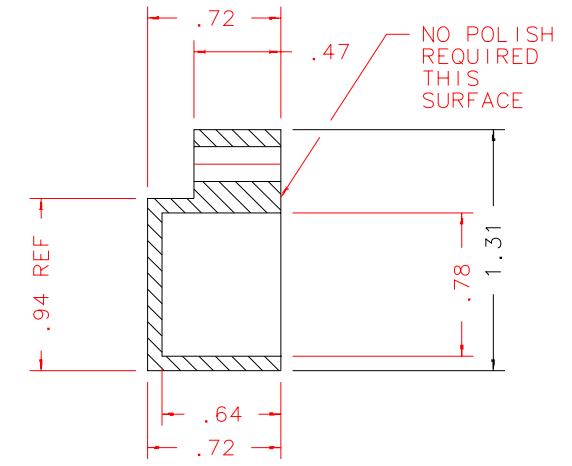
NOTES: UNLESS OTHERWISE NOTED
 1. MACHINED SURFACE ROUGHNESS 64
 O-RING GROOVES AND SURFACES 32
 2. REMOVE ALL BURRS/SHARP CORNERS

POLISH ALL SURFACES TO 10 MICRON FINISH EXCEPT AS NOTED

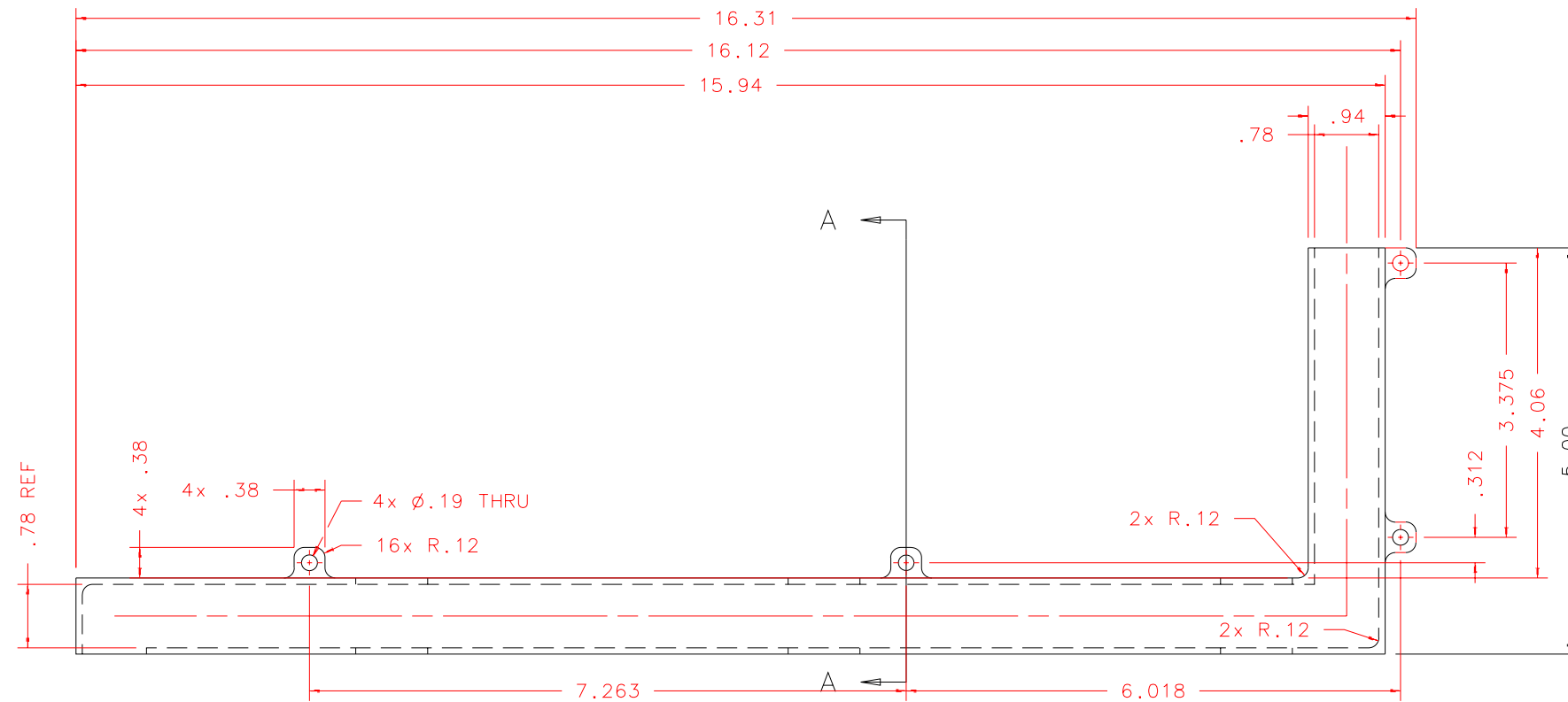
BILL OF MATERIAL				
NO.	REQ'D	REF DRW	DESCRIPTION	MATERIAL
N/A	1	SN2-012B	BUS SHIELD	ALU 6061-T6



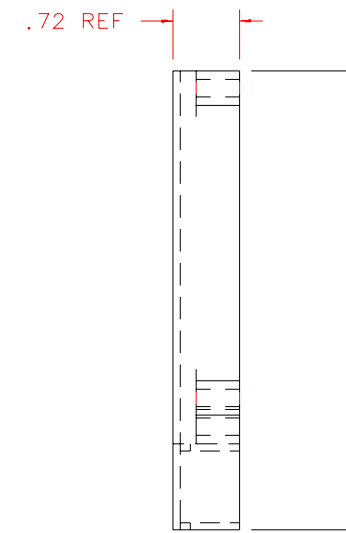
TOP



SECTION A-A
SCALE FULL



FRONT



RIGHT

REVDATE: 04/13/99	REVISION: PART CHANGED
REVDATE: N/A	REVISION: N/A
DATE: 12/20/97	INSTITUTE FOR ASTRONOMY
DESIGN: STAHLBERGER	2680 WOODLAWN DR. HONOLULU, HI 96822
DRAWN: STAHLBERGER	INSTRUMENT: SPEX - CROSS DISPERSED SPECTROGRAPH
APPR'D: J. RAYNER	PART NAME: BUS SHIELD
TOLERANCES	TELESCOPE: IRTF
X.X +/- .015	
X.XX +/- .005	
X.XXX +/- .002	
ANGLE +/- 30 min	
FRACTION +/- 1/32	

SN2-001B	
NEXT ASSY	

DRW NO: SN2-012B	SCALE: 1:2
SIZE: B	JOS NO: 725
	SHEET: 1 OF 1