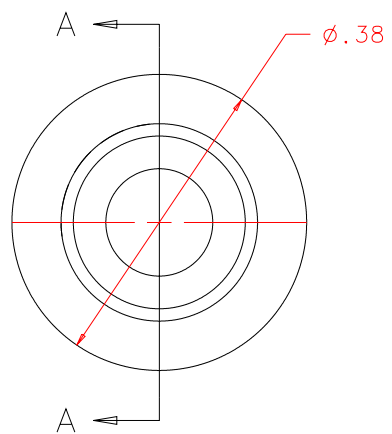


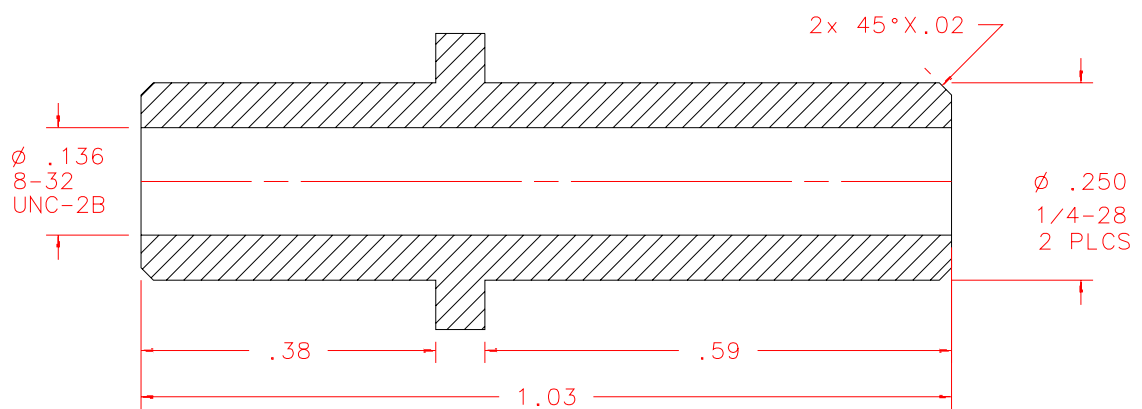
NOTES: UNLESS OTHERWISE NOTED

1. MACHINED SURFACE ROUGHNESS 64
O-RING GROOVES AND SURFACES 32
2. REMOVE ALL BURRS/SHARP CORNERS

BILL OF MATERIAL				
NO.	REQ'D	REF DRW	DESCRIPTION	MATERIAL
N/A	1	SN2-016A	WIRE DISCONNECT	COPPER OFHC



FRONT



SECTION A-A

PLOT: 10/19/99

SN1-001B
NEXT ASSY

REVDATE: N/A	REVISION: N/A	
DATE: 11/12/97	INSTITUTE FOR ASTRONOMY 2680 WOODLAWN DR. HONOLULU, HI 96822	
DESIGN: STAHLBERGER		
DRAWN: STAHLBERGER		
APPR'D: J. RAYNER		
TOLERANCES		
X.X +/- .015	INSTRUMENT: SPEX - CROSS DISPERSED SPECTROGRAPH	
X.XX +/- .005		
X.XXX +/- .002	PART NAME: WIRE DISCONNECT	
ANGLE +/- 30 min		
FRACTION +/- 1/32	TELESCOPE: IRTF	
	DRW NO: SN2-016A	SCALE: 4:1
	SIZE: A	JOS NO: 725
		SHEET: 1 OF 1