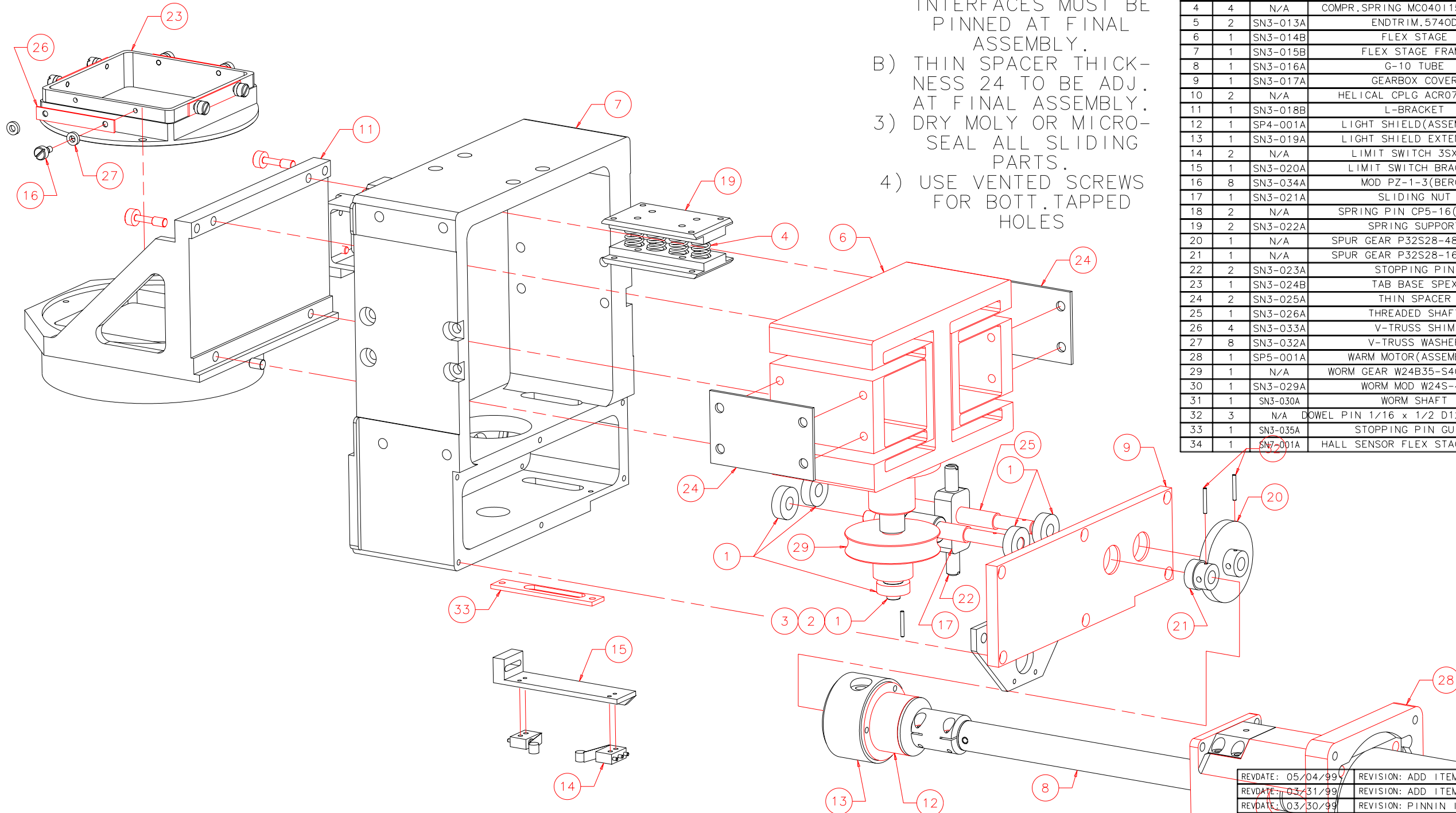


NOTES: UNLESS OTHERWISE NOTED
 1. MACHINED SURFACE ROUGHNESS 64
 O-RING GROOVES AND SURFACES 32
 2. REMOVE ALL BURRS/SHARP CORNERS



ASSEMBLY NOTES:

- A) ALL SHAFT TO GEAR INTERFACES MUST BE PINNED AT FINAL ASSEMBLY.
- B) THIN SPACER THICKNESS 24 TO BE ADJ. AT FINAL ASSEMBLY.
- 3) DRY MOLY OR MICRO-SEAL ALL SLIDING PARTS.
- 4) USE VENTED SCREWS FOR BOTT. TAPPED HOLES

BILL OF MATERIAL

NO.	REQ'D	REF DRW	DESCRIPTION	MATERIAL
N/A	1	SN3-001B	FLEX STAGE MECH	N/A
1	5	N/A	ANG. CONTACT BRG B14-3(BERG)	STAINLESS
2	1	SN3-011A	BALL SCREW MOD MBF1202	STAINLESS
3	1	N/A	BALLSCREW NUT MBF 1202(THK)	STAINLESS
4	4	N/A	COMPR. SPRING MC040115-B(M&R)	STAINLESS
5	2	SN3-013A	ENDTRIM.5740D	ALU 6061-T6
6	1	SN3-014B	FLEX STAGE	ALU 7075-T6
7	1	SN3-015B	FLEX STAGE FRAME	ALU 6061-T6
8	1	SN3-016A	G-10 TUBE	G-10
9	1	SN3-017A	GEARBOX COVER	ALU 6061-T6
10	2	N/A	HELICAL CPLG ACRO75-8-8	ALU
11	1	SN3-018B	L-BRACKET	ALU 6061-T6
12	1	SP4-001A	LIGHT SHIELD(ASSEMBLY)	N/A
13	1	SN3-019A	LIGHT SHIELD EXTENSION	ALU 6061-T6
14	2	N/A	LIMIT SWITCH 3SX1-T	PLASTIC
15	1	SN3-020A	LIMIT SWITCH BRACKET	ALU 6061-T6
16	8	SN3-034A	MOD PZ-1-3(BERG)	STAINLESS
17	1	SN3-021A	SLIDING NUT	HARD BRASS
18	2	N/A	SPRING PIN CP5-16(BERG)	STAINLESS
19	2	SN3-022A	SPRING SUPPORT	ALU 6061-T6
20	1	N/A	SPUR GEAR P32S28-48(BERG)	STAINLESS
21	1	N/A	SPUR GEAR P32S28-16(BERG)	STAINLESS
22	2	SN3-023A	STOPPING PIN	STAINLESS 303
23	1	SN3-024B	TAB BASE SPEX	ALU 6061-T6
24	2	SN3-025A	THIN SPACER	ALU 6061-T6
25	1	SN3-026A	THREADED SHAFT	STAINLESS 303
26	4	SN3-033A	V-TRUSS SHIM	ALU 6061-T6
27	8	SN3-032A	V-TRUSS WASHER	ALU 6061-T6
28	1	SP5-001A	WARM MOTOR(ASSEMBLY)	N/A
29	1	N/A	WORM GEAR W24B35-S40(BERG)	BRONZE
30	1	SN3-029A	WORM MOD W24S-4S	STAINLESS
31	1	SN3-030A	WORM SHAFT	STAINLESS 303
32	3	N/A	DOWEL PIN 1/16 x 1/2 D12-10(BERG)	STAINLESS
33	1	SN3-035A	STOPPING PIN GUIDE	HARD BRASS
34	1	SN7-001A	HALL SENSOR FLEX STAGE(ASSY)	N/A

EXPLODED VIEW:
 SCALE APPROX 1:2
 HALL SENSOR FLEX STAGE
 SN7-001A NOT SHOWN

REVDATE: 05/04/99	REVISION: ADD ITEM BALLON 34, UPDATE
REVDATE: 03/31/99	REVISION: ADD ITEM BALLOON 33
REVDATE: 03/30/99	REVISION: PINNIN INFO, UPDATE DRAWING
REVDATE: 05/08/98	REVISION: ADD PART SN3-030A
REVDATE: N/A	REVISION: N/A
DATE: 01/29/98	INSTITUTE FOR ASTRONOMY
DESIGN: STAHLBERGER	2680 WOODLAWN DR. HONOLULU, HI 96822
DRAWN: STAHLBERGER	INSTRUMENT: SPEX - CROSS DISPERSED SPECTROGRAPH
APPR'D: J. RAYNE	PART NAME: FLEX STAGE MECH
TOLERANCES	TELESCOPE: IRTF
X.X +/- .015	
X.XX +/- .005	
X.XXX +/- .002	
ANGLE +/- 30 min	
FRACTION +/- 1/32	

SN0-001B	DRW NO: SN3-001B	SCALE: NOTED
NEXT ASSY	SIZE: B	JOS NO: 725
		SHEET: 3 OF 3