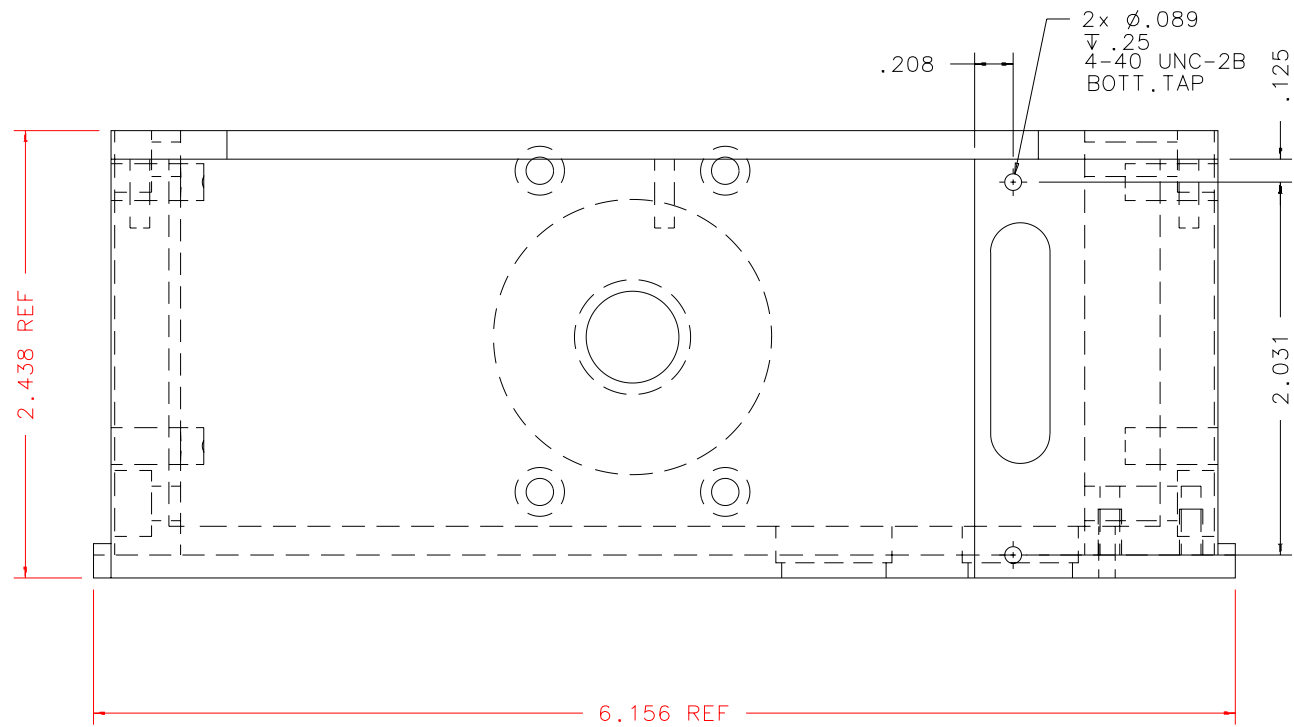
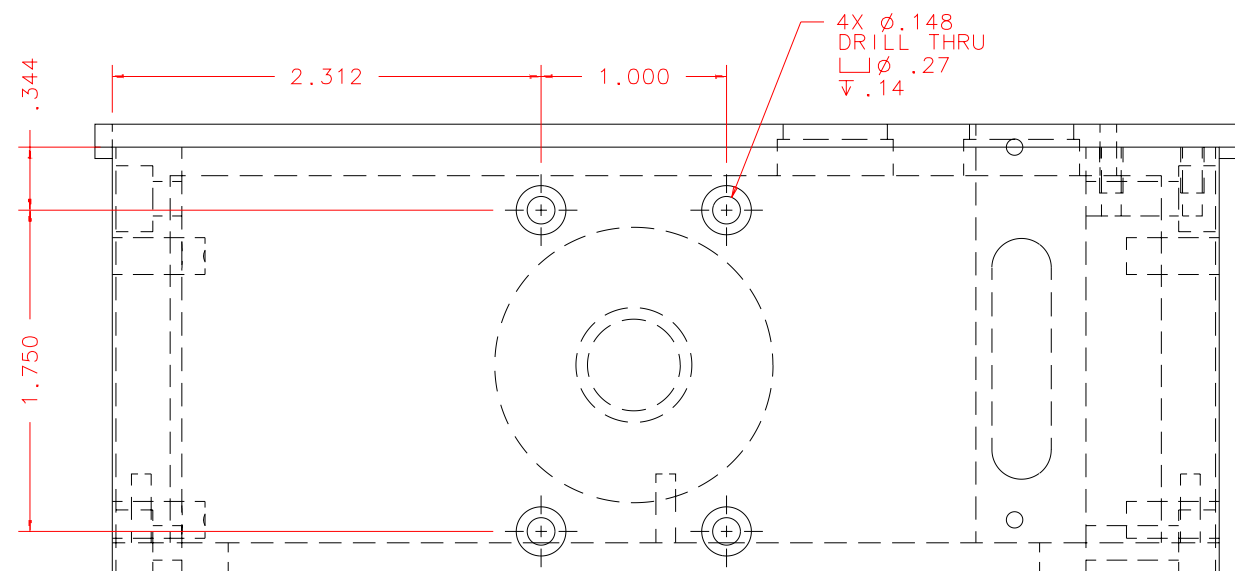


NOTES: UNLESS OTHERWISE NOTED  
 1. MACHINED SURFACE ROUGHNESS 64  
 O-RING GROOVES AND SURFACES 32  
 2. REMOVE ALL BURRS/SHARP CORNERS

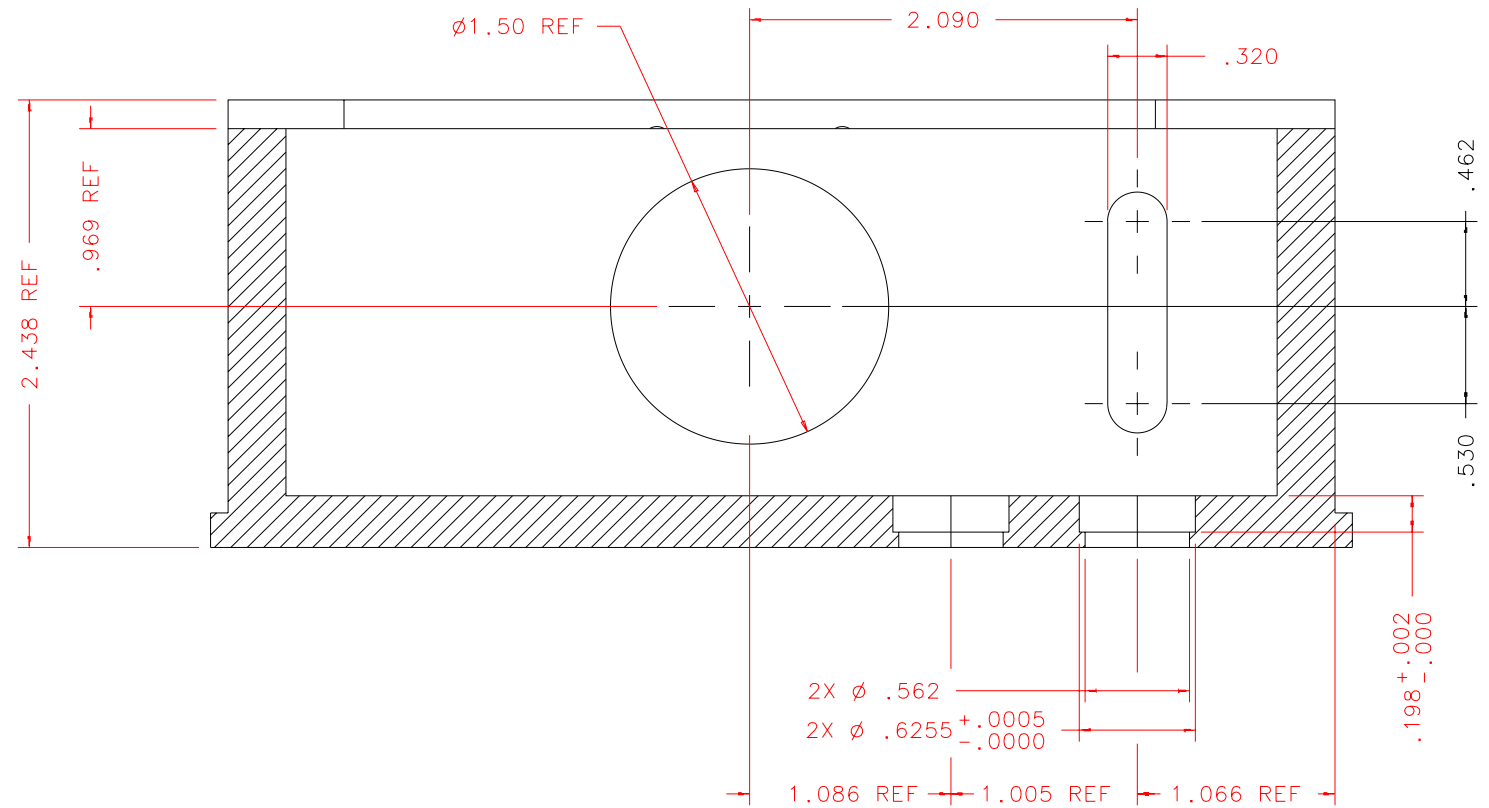
BILL OF MATERIAL				
NO.	REQ'D	REF DRW	DESCRIPTION	MATERIAL
N/A	1	SN3-015B	FLEX STAGE FRAME	ALU 6061-T6



TOP: SCALE 1:1



BOTTOM: SCALE 1:1



SECTION B-B: SCALE 1:1

REVDATE: 05/29/99	REVISION: ELONGATE SLOT BY .080 EACH DIR
REVDATE: 05/05/99	REVISION: ADD HLS FOR HALL SENSOR SHT1 FRONT
REVDATE: 03/31/99	REVISION: ADD 2 x 4-40 HOLES, SHT3 TOP VIEW
REVDATE: N/A	REVISION: N/A
DATE: 11/07/97	<b>INSTITUTE FOR ASTRONOMY</b>
DESIGN: STAHLBERGER	2680 WOODLAWN DR. HONOLULU, HI 96822
DRAWN: STAHLBERGER	INSTRUMENT: SPEX - CROSS DISPERSED SPECTROGRAPH
APPR'D: J. RAYNER	PART NAME: FLEX STAGE FRAME
<b>TOLERANCES</b>	
X.X	+/- .015
X.XX	+/- .005
X.XXX	+/- .002
ANGLE	+/- 30 min
FRACTION	+/- 1/32
DRW NO: SN3-015B	SCALE: NOTED
SIZE: B	JOS NO: 725
	SHEET: 3 OF 4

PLOT: 10/19/99

SN3-001B  
NEXT ASSY