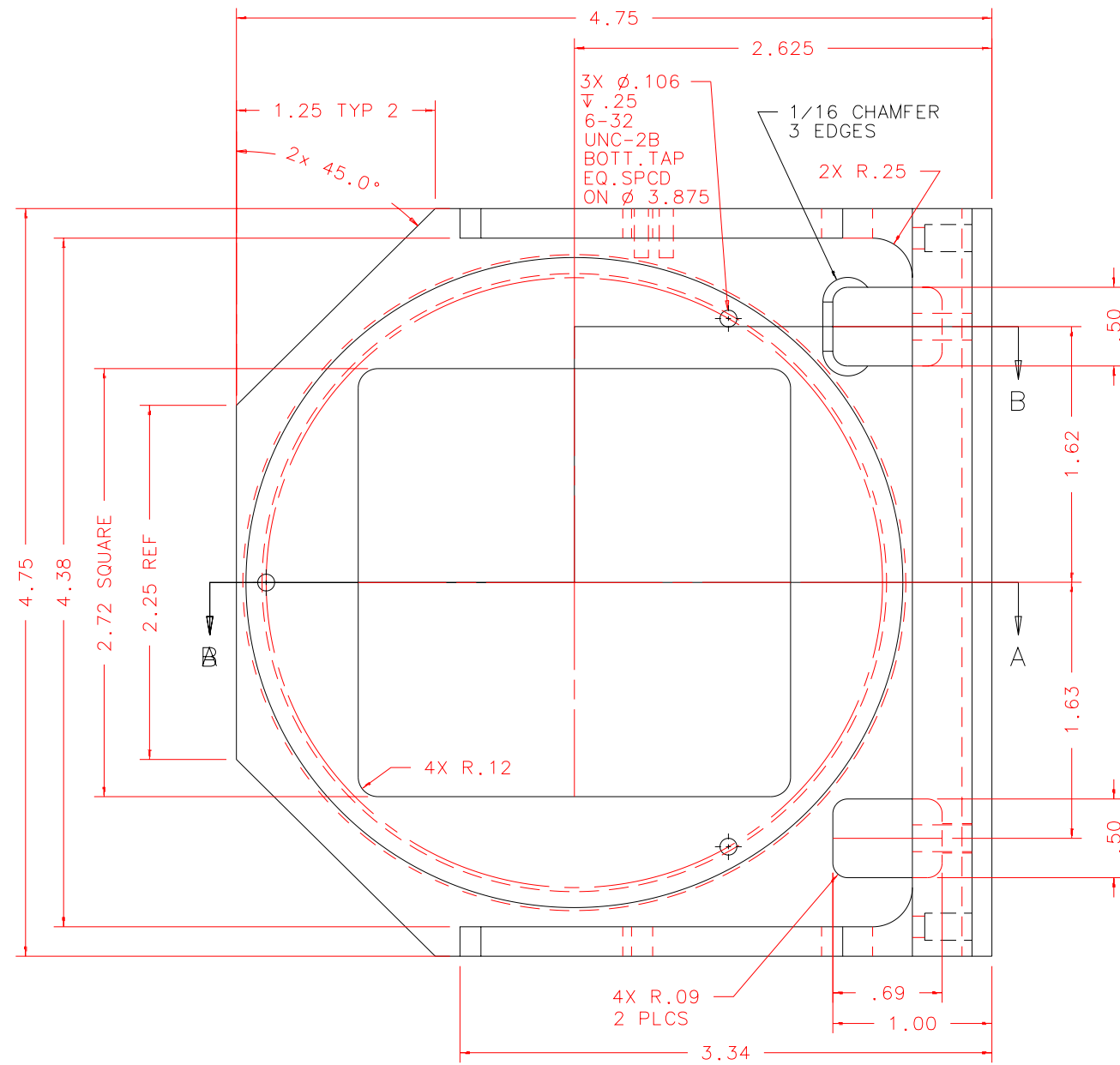
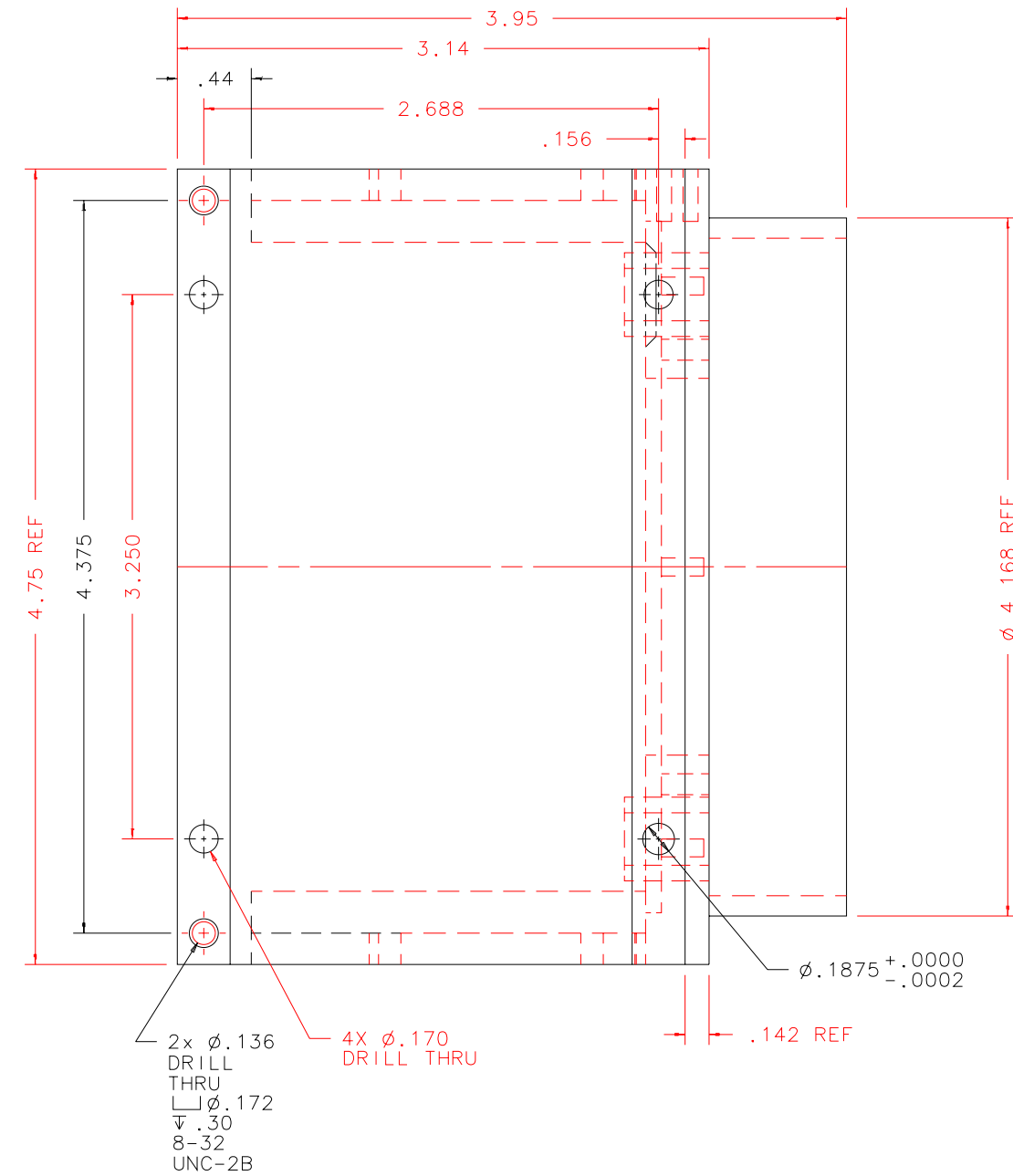


NOTES: UNLESS OTHERWISE NOTED  
 1. MACHINED SURFACE ROUGHNESS 64  
 O-RING GROOVES AND SURFACES .32  
 2. REMOVE ALL BURRS/SHARP CORNERS

BILL OF MATERIAL				
NO.	REQ'D	REF DRW	DESCRIPTION	MATERIAL
N/A	1	SN3-018B	L-BRACHET	ALU 6061-T6



FRONT



RIGHT

REVDATE: 06/02/99	REVISION: ADD CAPTIVE SCREWS & DOWEL HOLE
REVDATE: 05/04/99	REVISION: ADD SHEET 3
REVDATE: N/A	REVISION: N/A
DATE: 11/08/97	<b>INSTITUTE FOR ASTRONOMY</b>
DESIGN: STAHLBERGER	2680 WOODLAWN DR. HONOLULU, HI 96822
DRAWN: STAHLBERGER	INSTRUMENT: SPEX - CROSS DISPERSED SPECTROGRAPH
APPR'D: J. RAYNER	PART NAME: L-BRACHET
<b>TOLERANCES</b>	
X.X	+/- .015
X.XX	+/- .005
X.XXX	+/- .002
ANGLE	+/- 30 min
FRACTION	+/- 1/32
DRW NO: SN3-018B	SCALE: 1:1
SIZE: B	JOS NO: 725
	SHEET: 1 OF 4

PLOT: 10/19/99

SN3-001B  
 NEXT ASSY