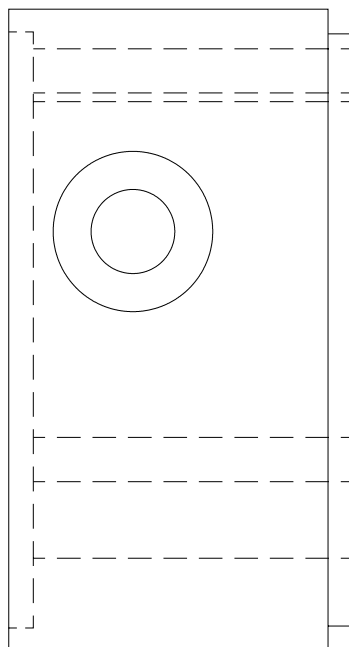


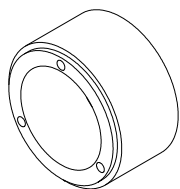
NOTES: UNLESS OTHERWISE NOTED

1. MACHINED SURFACE ROUGHNESS 64  
O-RING GROOVES AND SURFACES 32
2. REMOVE ALL BURRS/SHARP CORNERS

BILL OF MATERIAL				
NO.	REQ'D	REF DRW	DESCRIPTION	MATERIAL
N/A	1	SN3-019A	LIGHT SHIELD EXTENSION	ALU 6061-T6

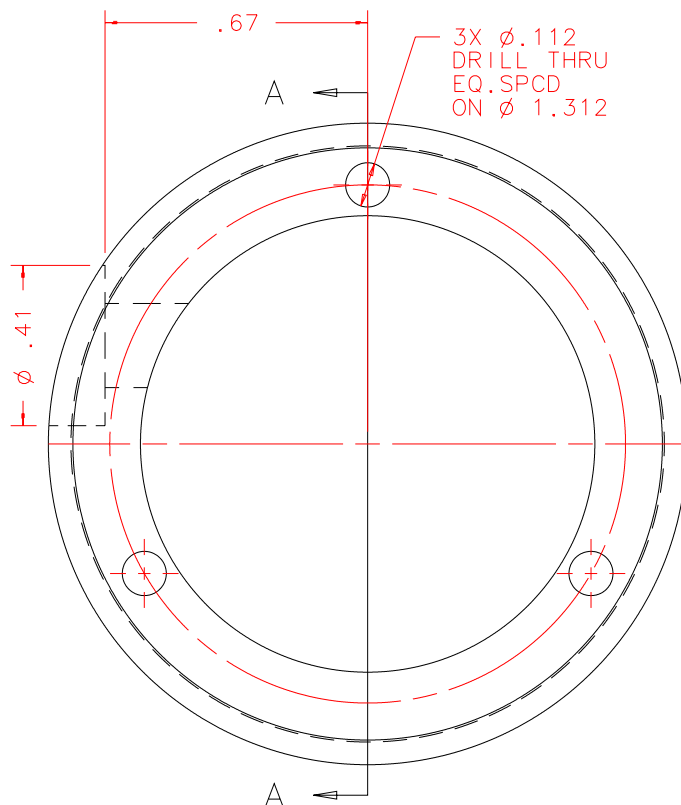


LEFT

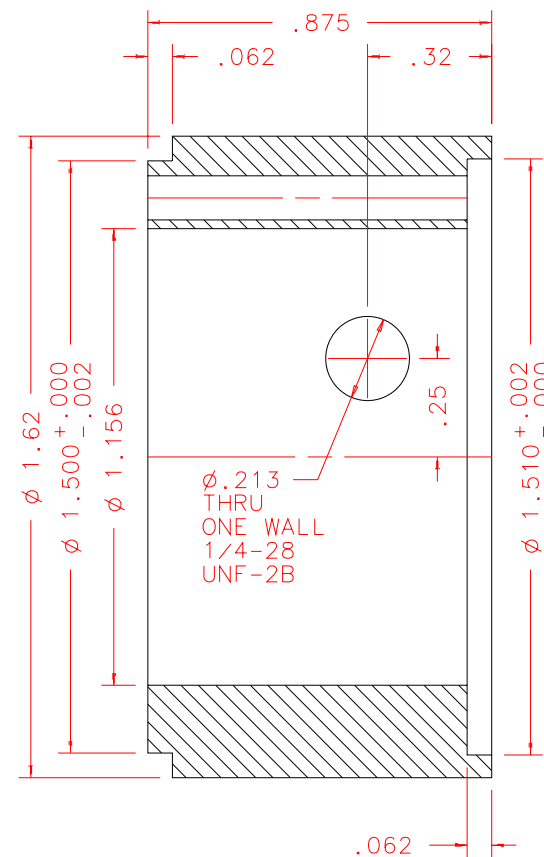


1/2 SCALE

PLOT: 10/19/99



FRONT



SECTION A-A

REVDATE: N/A	REVISION: N/A	
DATE: 11/08/97	<b>INSTITUTE FOR ASTRONOMY</b> 2680 WOODLAWN DR. HONOLULU, HI 96822	
DESIGN: STAHLBERGER		
DRAWN: STAHLBERGER		
APPR'D: J. RAYNER		
<b>TOLERANCES</b>		
X.X	+/- .015	INSTRUMENT: SPEX - CROSS DISPERSED SPECTROGRAPH
X.XX	+/- .005	
X.XXX	+/- .002	PART NAME: LIGHT SHIELD EXTENSION
ANGLE	+/- 30 min	
FRACTION	+/- 1/32	TELESCOPE: IRTF
SN3-001B	DRW NO: SN3-019A	SCALE: 2:1
NEXT ASSY	SIZE: A	JOS NO: 725
		SHEET: 1 OF 1