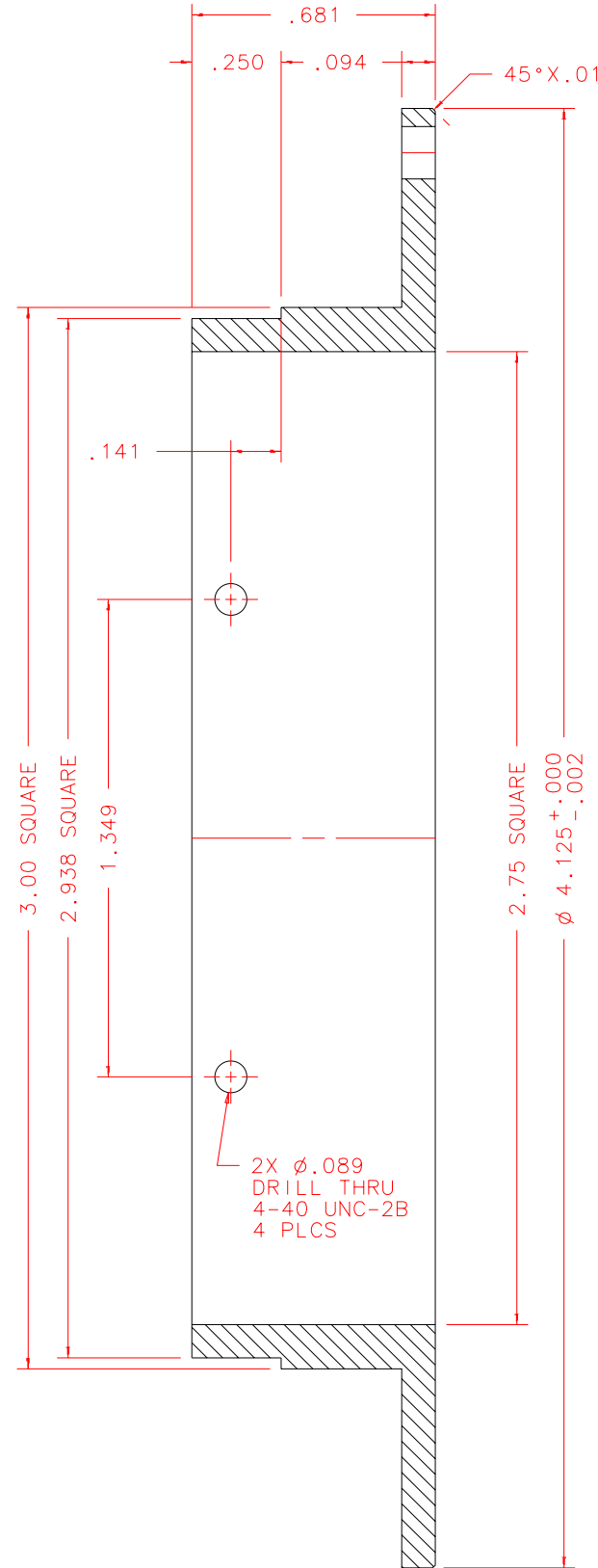
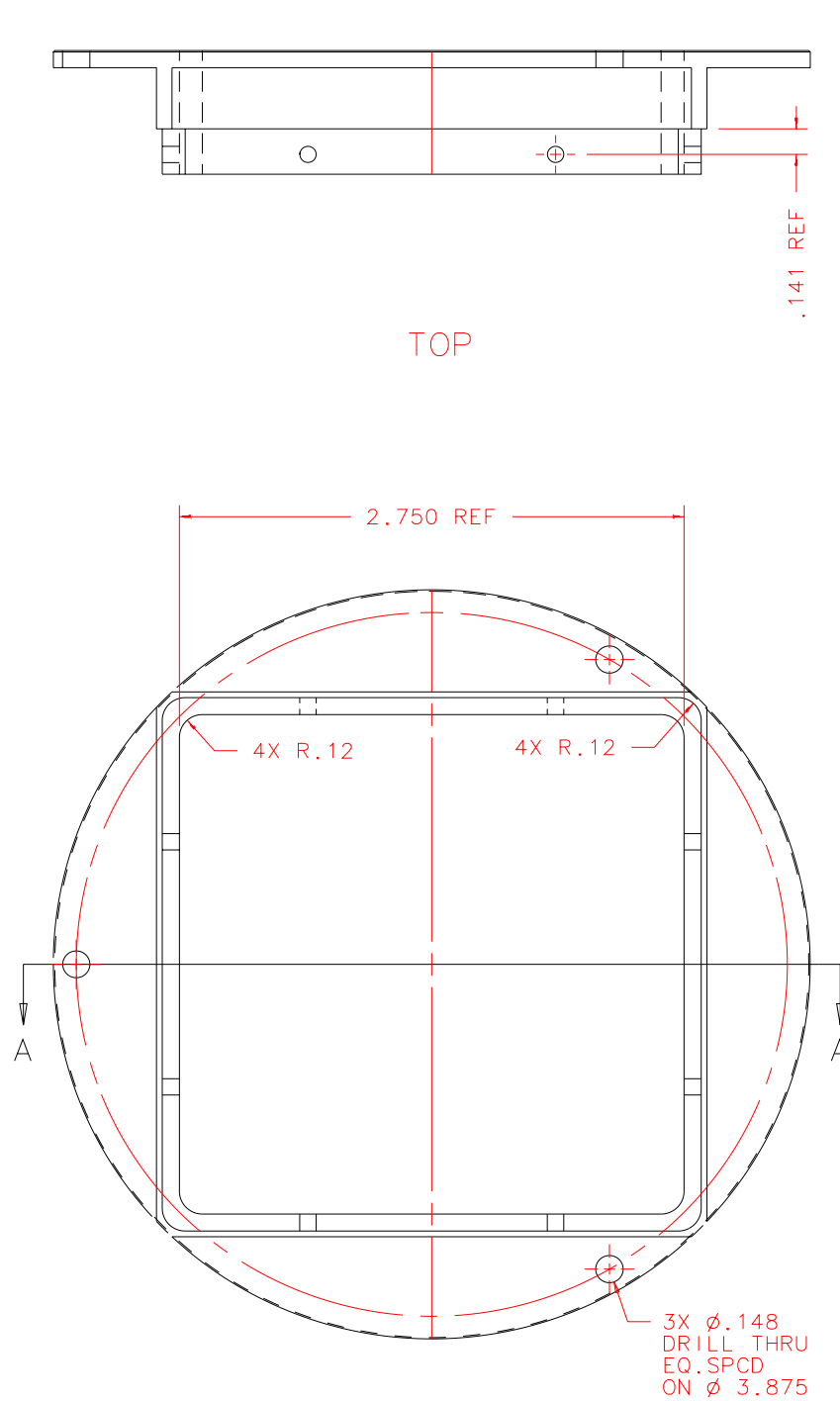
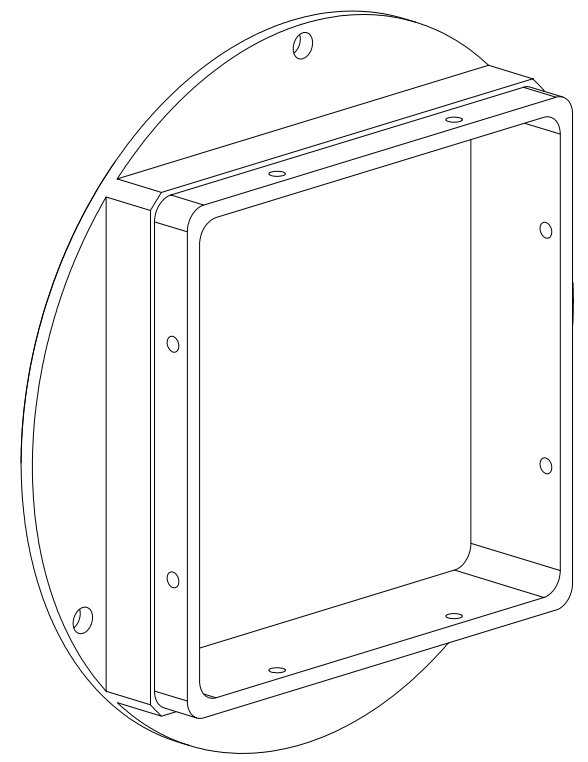


NOTES: UNLESS OTHERWISE NOTED  
 1. MACHINED SURFACE ROUGHNESS 64  
 O-RING GROOVES AND SURFACES 32  
 2. REMOVE ALL BURRS/SHARP CORNERS



BILL OF MATERIAL				
NO.	REQ'D	REF DRW	DESCRIPTION	MATERIAL
N/A	1	SN3-024B	TAB BASE SPEX	ALU 6061-T6



SCALE FULL

LEFT

FRONT

SECTION A-A  
 SCALE 2:1

PLOT: 10/19/99

SN3-001B	NEXT ASSY
----------	-----------

REVDATE: N/A	REVISION: N/A
DATE: 11/10/97	<b>INSTITUTE FOR ASTRONOMY</b>
DESIGN: STAHLBERGER	2680 WOODLAWN DR. HONOLULU, HI 96822
DRAWN: STAHLBERGER	INSTRUMENT: SPEX - CROSS DISPERSED SPECTROGRAPH
APPR'D: J. RAYNER	PART NAME: TAB BASE SPEX
<b>TOLERANCES</b>	TELESCOPE: IRTF
X.X +/- .015	DRW NO: SN3-024B
X.XX +/- .005	SCALE: 1:1
X.XXX +/- .002	SIZE: B
ANGLE +/- 30 min	JOS NO: 725
FRACTION +/- 1/32	SHEET: 1 OF 1