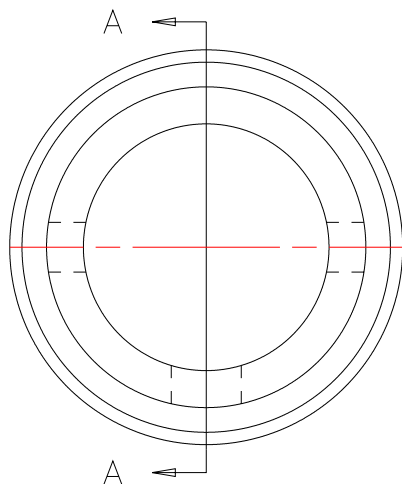


NOTES: UNLESS OTHERWISE NOTED

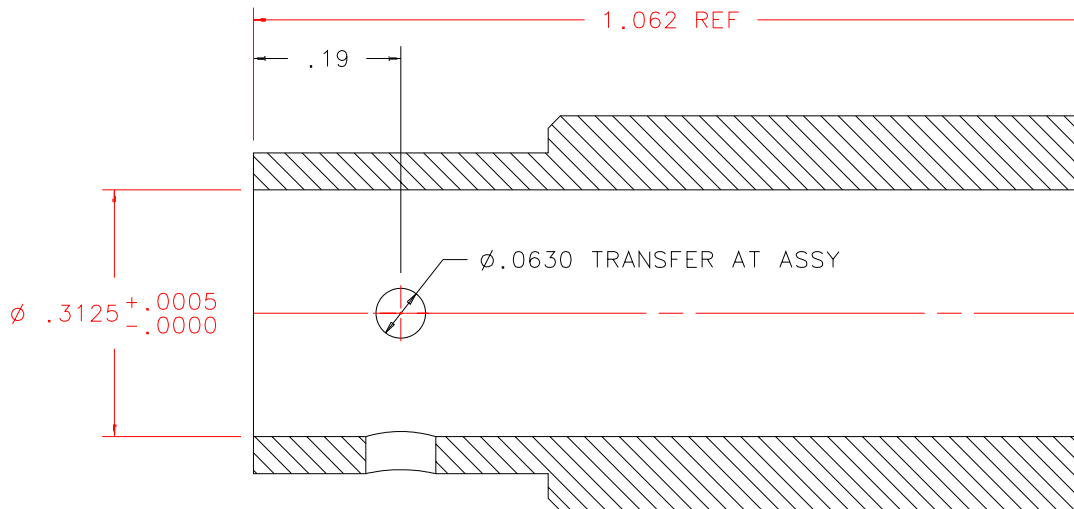
1. MACHINED SURFACE ROUGHNESS 64
O-RING GROOVES AND SURFACES 32
2. REMOVE ALL BURRS/SHARP CORNERS

MAKE FROM PURCHASED
PART P/N W24S-4S
BERG

BILL OF MATERIAL				
NO.	REQ'D	REF DRW	DESCRIPTION	MATERIAL
N/A	1	SN3-029A	WORM MODW24S-4S	STAINLESS



FRONT



SECTION A-A

PLOT: 10/19/99

SN3-001B
NEXT ASSY

REVDATE: 03/30/99	REVISION: ADD DIA.0630 HOLE
REVDATE: N/A	REVISION: N/A
DATE: 11/10/97	INSTITUTE FOR ASTRONOMY 2680 WOODLAWN DR. HONOLULU, HI 96822
DESIGN: STAHLBERGER	
DRAWN: STAHLBERGER	INSTRUMENT: SPEX - CROSS DISPERSED SPECTROGRAPH
APPR'D: J. RAYNER	PART NAME: WORM MODW24S-4S
TOLERANCES	
X.X	+/- .015
X.XX	+/- .005
X.XXX	+/- .002
ANGLE	+/- 30 min
FRACTION	+/- 1/32
DRW NO: SN3-029A	SCALE: 4:1
SIZE: A	JOS NO: 725
SHEET: 1 OF 1	