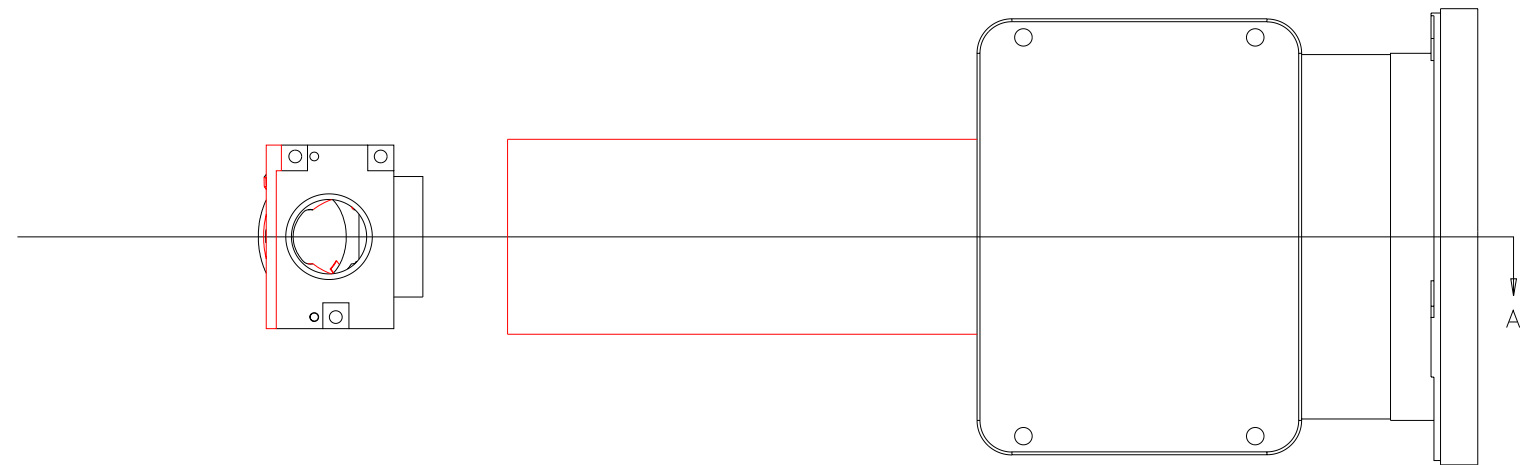


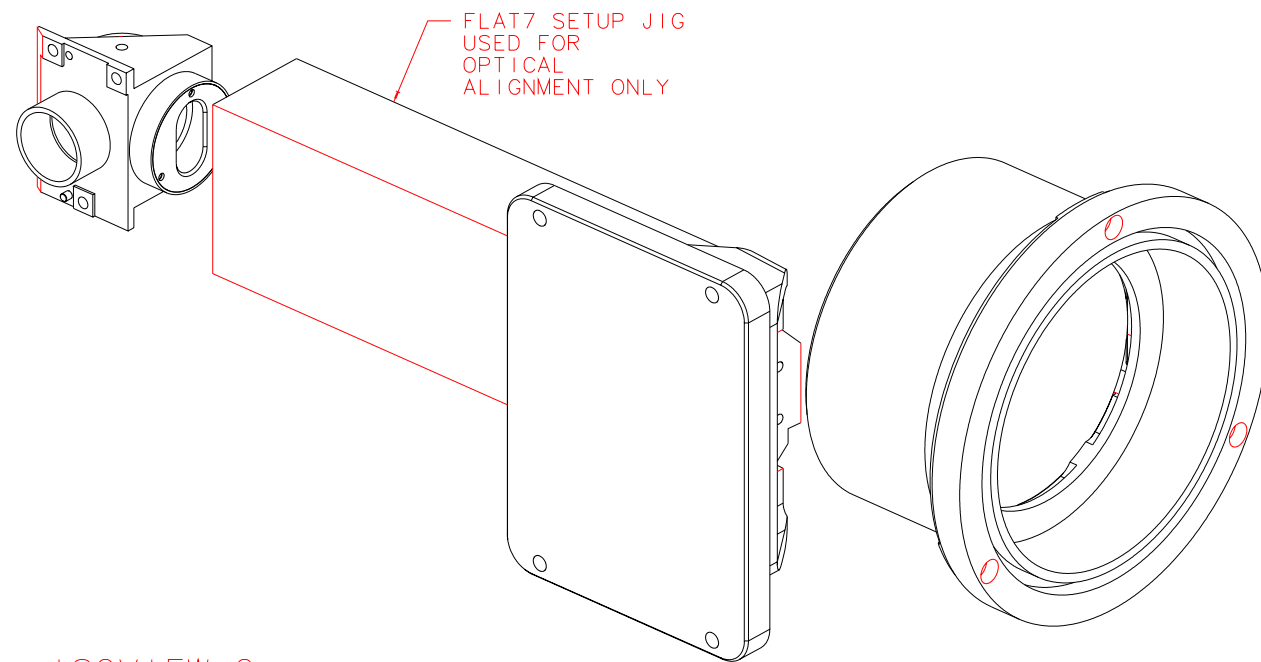
NOTES: UNLESS OTHERWISE NOTED  
 1. MACHINED SURFACE ROUGHNESS 64  
 O-RING GROOVES AND SURFACES 32  
 2. REMOVE ALL BURRS/SHARP CORNERS

NOTES:  
 A) USE VENTED SCREW FOR ALL NONPENETRATING TAPPED HOLES

BILL OF MATERIAL				
NO.	REQ'D	REF DRW	DESCRIPTION	MATERIAL
N/A	1	SN4-001B	LENS&MIRROR MOUNTS	N/A
1	1	SN4-011A	AXIAL SPRING FLAT7	PHOS.BRONZE
2	1	SN4-012A	AXIAL SPRING TRIPLET	PHOS.BRONZE
3	1	N/A	DOWEL PIN D12-6(BERG)	STAINLESS
4	1	SN4-013A	EXIT BAFFLE FLAT NO7	ALU 6061-T6
5	1	SN4-014B	FLATMOUNT NO7	ALU 6061-T6
6	1	SN4-015B	LENSBARREL	ALU 6061-T6
7	1	SN4-016A	MIRROR COVER	ALU 6061-T6
8	1	SN4-017A	OAP BAFFLE	ALU 6061-T6
9	1	SN4-022A	OAP BASE PLATE	ALU 6061-T6
10	1	SN4-018B	OAP MOUNT	ALU 6061-T6
11	1	SN4-019A	OAP SPACER	ALU 6061-T6
12	1	SSG REF	OAP SUBSTRATE	GLASS
13	1	SN4-020A	RADIAL SPRING	PHOS.BRONZE
14	1	SN4-021A	THREADED RETAINER	HARD BRASS
15	1	SQ4-014A	LENS SPACER 1	ALU 6061-T6
16	1	SQ4-015A	LENS SPACER 2	ALU 6061-T6
17	2	N/A	DOWEL PIN 3/32 x 1/2	STAINLESS
18	2	N/A	DOWEL PIN 1/8 x 1/2	STAINLESS



FRONT  
 SCALE 1:2



ISOVIEW 2  
 SCALE 1:2

REVDATE: 10/01/99	REVISION: ADD FLAT7 SETUP JIG TO ASSY
REVDATE: 04/14/99	REVISION: UPDATE DRAWING
REVDATE: N/A	REVISION: N/A
DATE: 01/30/98	<b>INSTITUTE FOR ASTRONOMY</b>
DESIGN: STAHLBERGER	2680 WOODLAWN DR. HONOLULU, HI 96822
DRAWN: STAHLBERGER	INSTRUMENT: SPEX - CROSS DISPERSED SPECTROGRAPH
APPR'D: J. RAYNER	PART NAME: LENS&MIRROR MOUNTS
<b>TOLERANCES</b>	TELESCOPE: IRTF
X.X +/- .015	
X.XX +/- .005	
X.XXX +/- .002	
ANGLE +/- 30 min	
FRACTION +/- 1/32	
DRW NO: SN4-001B	SCALE: NOTED
SIZE: B	JOS NO: 725
	SHEET: 1 OF 2