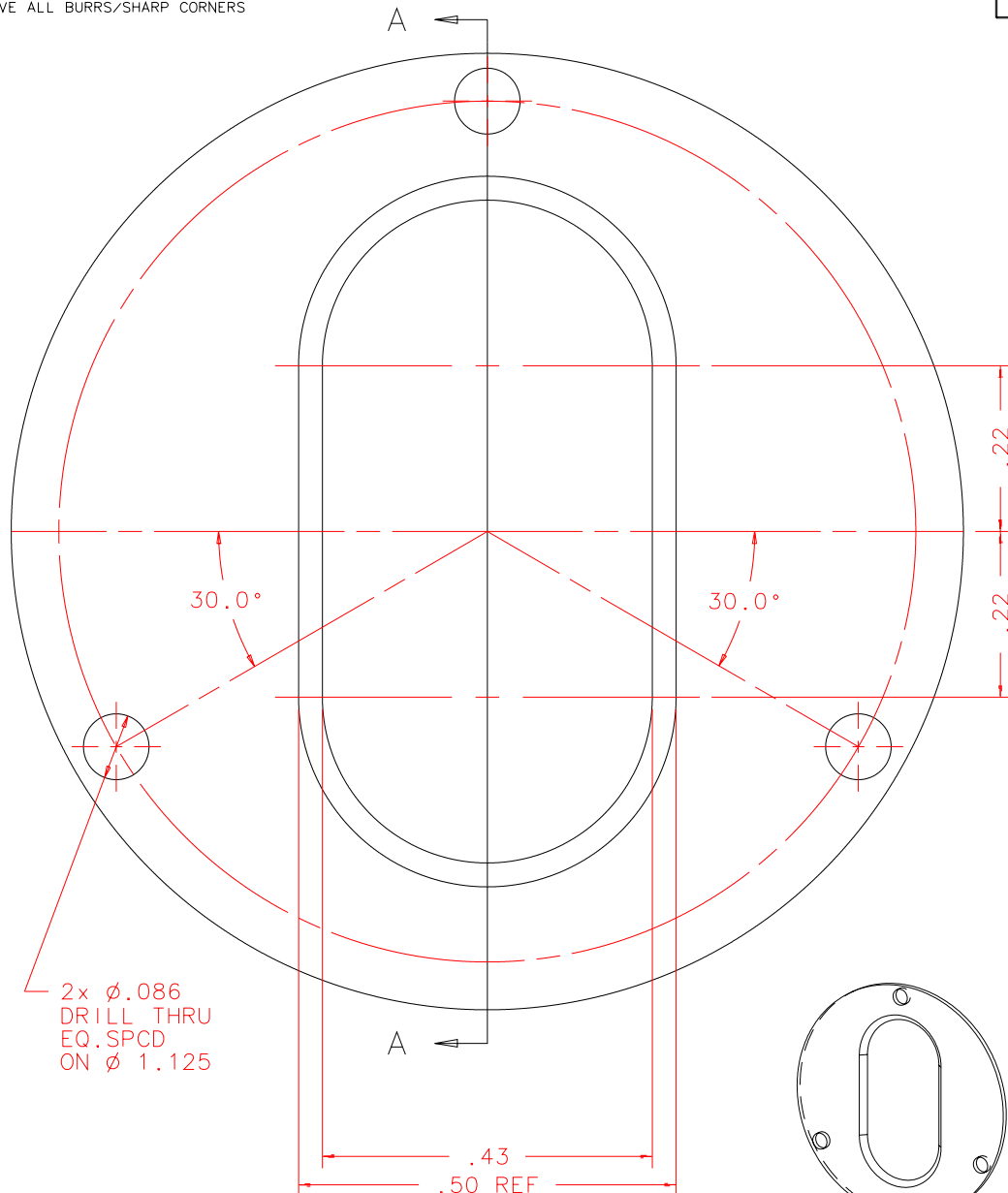


NOTES: UNLESS OTHERWISE NOTED

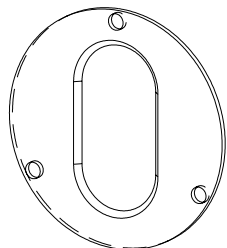
1. MACHINED SURFACE ROUGHNESS 64  
O-RING GROOVES AND SURFACES 32
2. REMOVE ALL BURRS/SHARP CORNERS

BILL OF MATERIAL				
NO.	REQ'D	REF DRW	DESCRIPTION	MATERIAL
N/A	1	SN4-013A	EXIT BAFFLE FLAT NO7	ALU 6061-T6

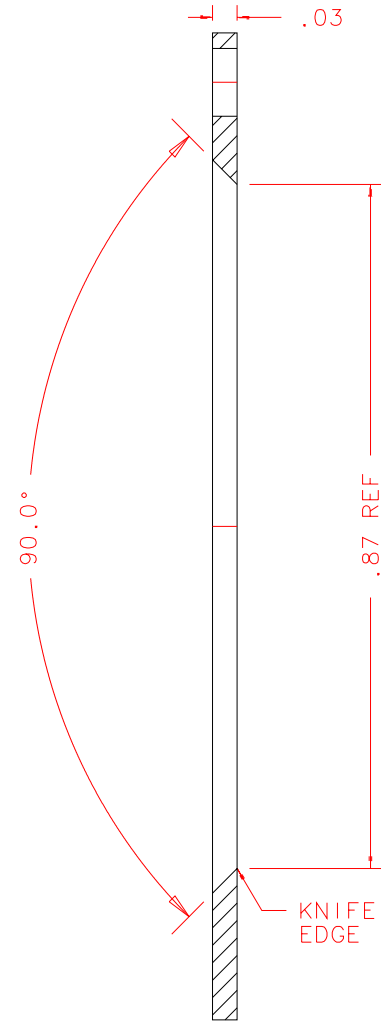


2x  $\phi$ .086  
DRILL THRU  
EQ.SPCD  
ON  $\phi$  1.125

FRONT



REAL SIZE



SECTION A-A

REVDATE: N/A	REVISION: N/A
DATE: 11/13/97	<b>INSTITUTE FOR ASTRONOMY</b>
DESIGN: STAHLBERGER	2680 WOODLAWN DR. HONOLULU, HI 96822
DRAWN: STAHLBERGER	INSTRUMENT: SPEX - CROSS DISPERSED SPECTROGRAPH
APPR'D: J. RAYNER	PART NAME: EXIT BAFFLE FLAT NO7
<b>TOLERANCES</b>	
X.X	+/- .015
X.XX	+/- .005
X.XXX	+/- .002
ANGLE	+/- 30 min
FRACTION	+/- 1/32
DRW NO: SN4-013A	SCALE: 4:1
SIZE: A	JOS NO: 725
SHEET: 1 OF 1	

PLOT:10/19/99

SN4-001B  
NEXT ASSY