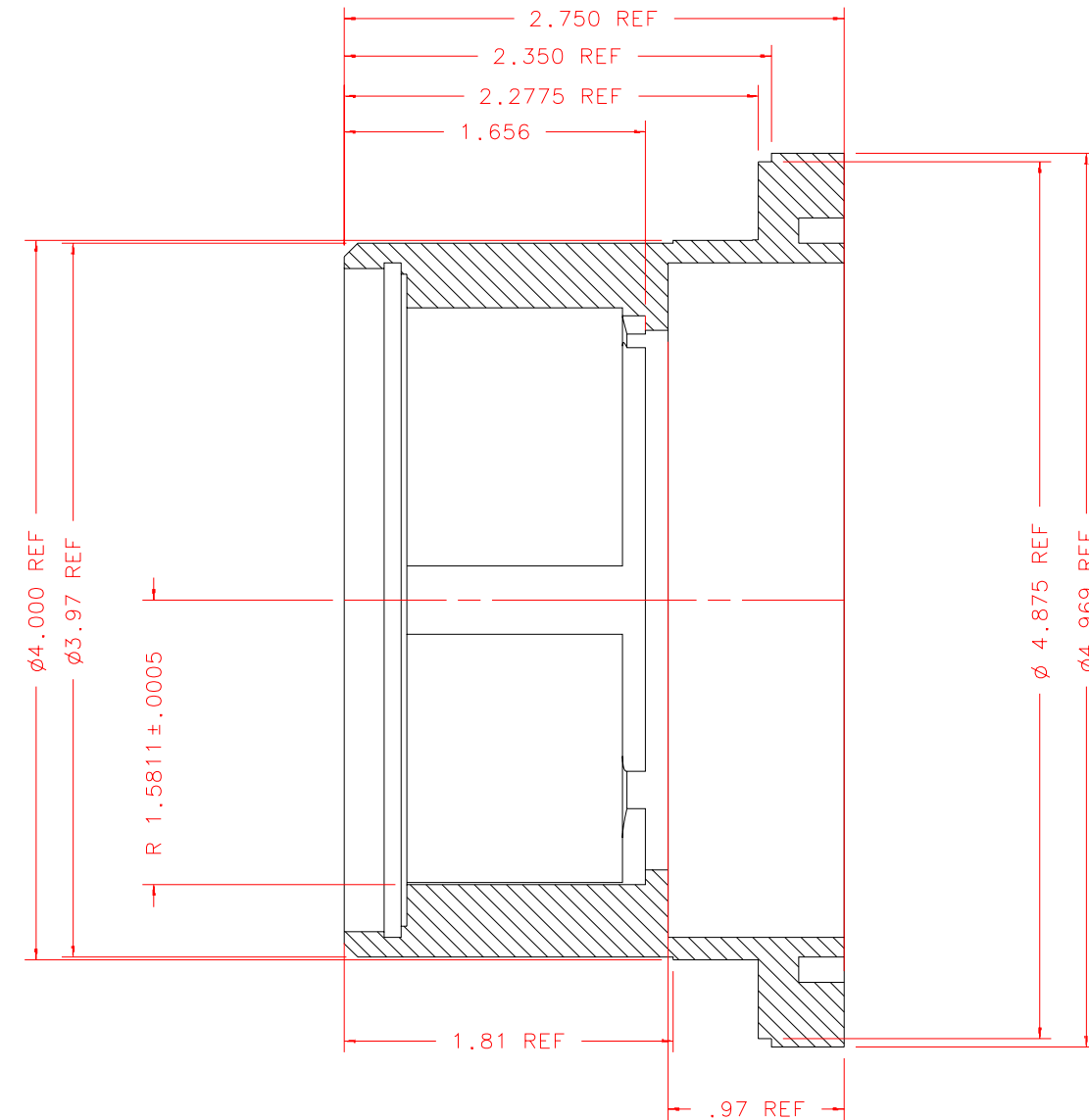
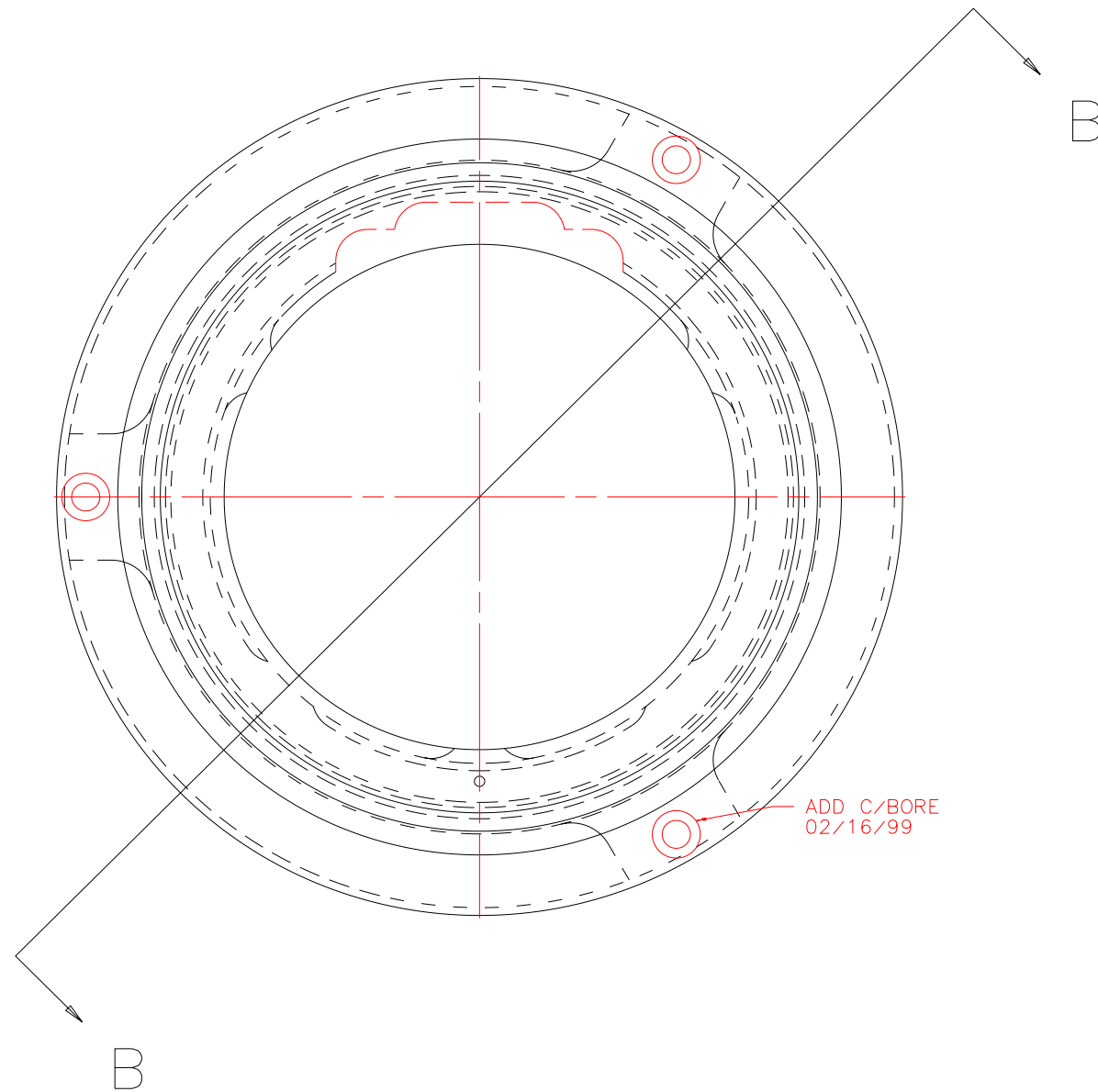


NOTES: UNLESS OTHERWISE NOTED
 1. MACHINED SURFACE ROUGHNESS 64
 O-RING GROOVES AND SURFACES 32
 2. REMOVE ALL BURRS/SHARP CORNERS

BILL OF MATERIAL				
NO.	REQ'D	REF DRW	DESCRIPTION	MATERIAL
N/A	1	SN4-015B	LENSBARREL	ALU 6061-T6



SECTION B-B:

REVDATE: 02/16/99	REVISION: ADD C/BORE ON 4.625 BC PATTERN
REVDATE: 02/16/99	REVISION: ADD DIA 3.97 TO CLR PAINT
REVDATE: 12/07/98	REVISION: DIM R1.5811 WAS R1.581
REVDATE: 07/07/98	REVISION: CHD DIMS 1.75 AND 1.589
REVDATE: N/A	REVISION: N/A
DATE: 11/14/97	INSTITUTE FOR ASTRONOMY
DESIGN: STAHLBERGER	2680 WOODLAWN DR. HONOLULU, HI 96822
DRAWN: STAHLBERGER	INSTRUMENT: SPEX - CROSS DISPERSED SPECTROGRAPH
APPR'D: J. RAYNER	PART NAME: LENSBARREL
TOLERANCES	
X.X	+/- .015
X.XX	+/- .005
X.XXX	+/- .002
ANGLE	+/- 30 min
FRACTION	+/- 1/32
DRW NO: SN4-015B	SCALE: NOTED
SIZE: B	JOS NO: 725
	SHEET: 2 OF 3

SN4-001B
NEXT ASSY

PLOT: 10/19/99

BACK: SCALE 1:1