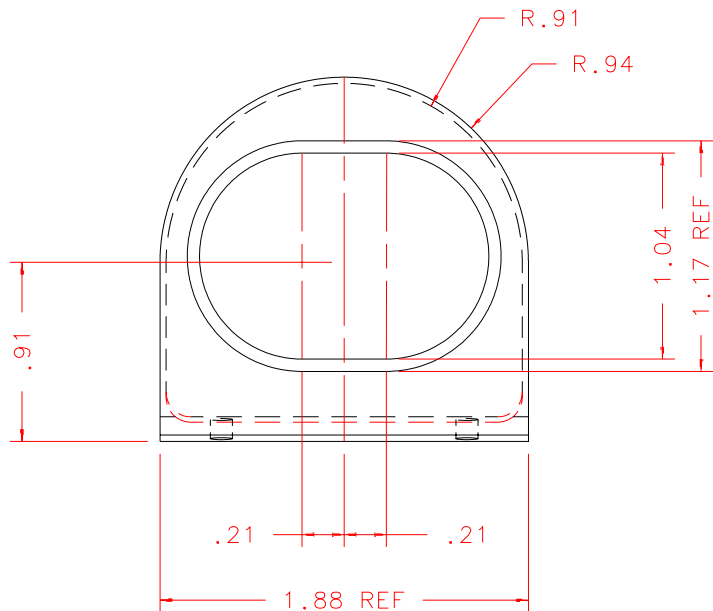


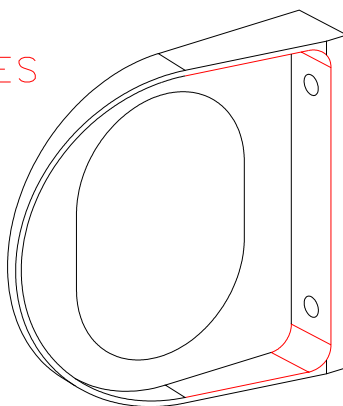
NOTES: UNLESS OTHERWISE NOTED

1. MACHINED SURFACE ROUGHNESS 64
O-RING GROOVES AND SURFACES 32
2. REMOVE ALL BURRS/SHARP CORNERS

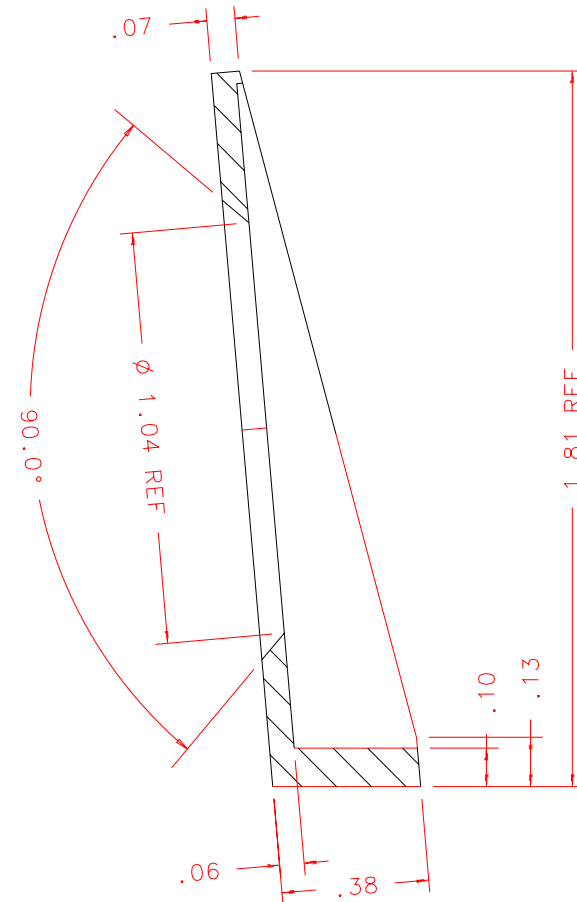
BILL OF MATERIAL				
NO.	REQ'D	REF DRW	DESCRIPTION	MATERIAL
N/A	1	SN4-017A	OAP BAFFLE	ALU 6061-T6



VIEW 4
TIPPEN 4.95 DEGREES



ISO VIEW
SCALE FULL



SECTION A-A: SCALE 2:1

PLOT: 10/19/99

SN4-001B
NEXT ASSY

REVDATE: N/A	REVISION: N/A
DATE: 11/13/97	INSTITUTE FOR ASTRONOMY
DESIGN: STAHLBERGER	2680 WOODLAWN DR. HONOLULU, HI 96822
DRAWN: STAHLBERGER	INSTRUMENT: SPEX - CROSS DISPERSED SPECTROGRAPH
APPR'D: J. RAYNER	PART NAME: OAP BAFFLE
	TELESCOPE: IRTF
TOLERANCES	
X.X	+/- .015
X.XX	+/- .005
X.XXX	+/- .002
ANGLE	+/- 30 min
FRACTION	+/- 1/32
DRW NO: SN4-017A	SCALE: 1:1
SIZE: A	JOS NO: 725
	SHEET: 2 OF 2