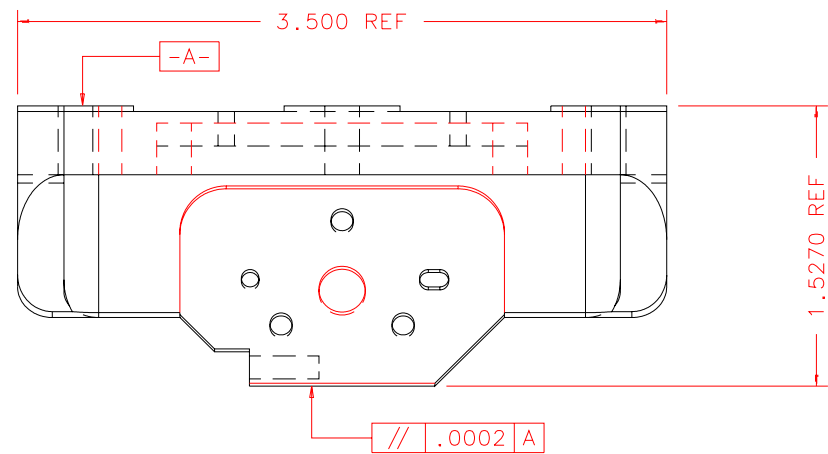
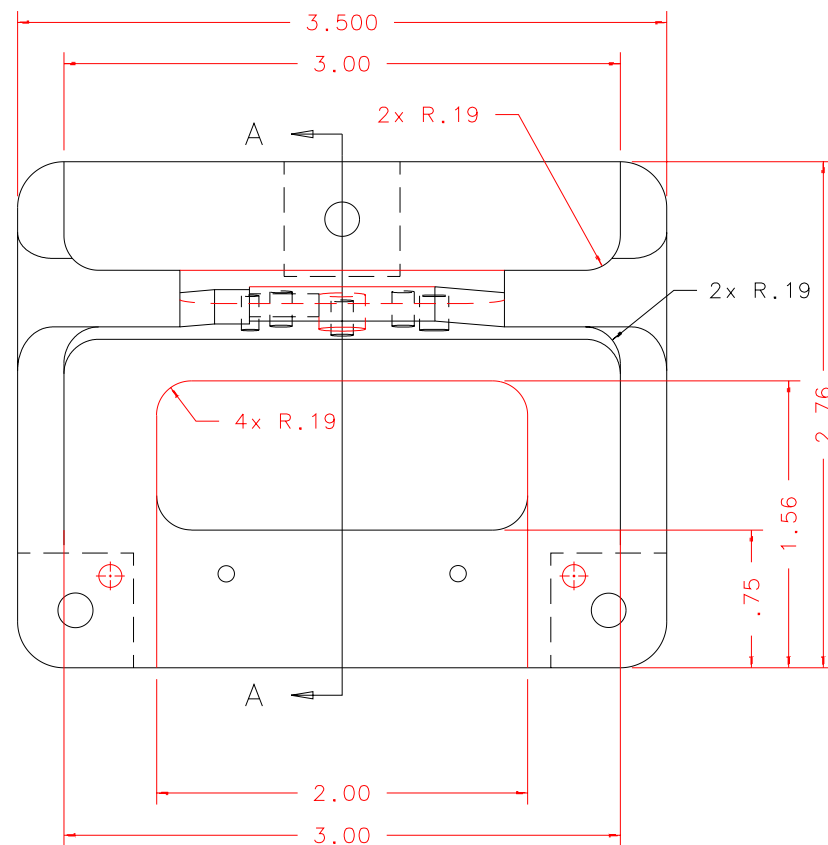


NOTES: UNLESS OTHERWISE NOTED  
 1. MACHINED SURFACE ROUGHNESS 64  
 O-RING GROOVES AND SURFACES 32  
 2. REMOVE ALL BURRS/SHARP CORNERS

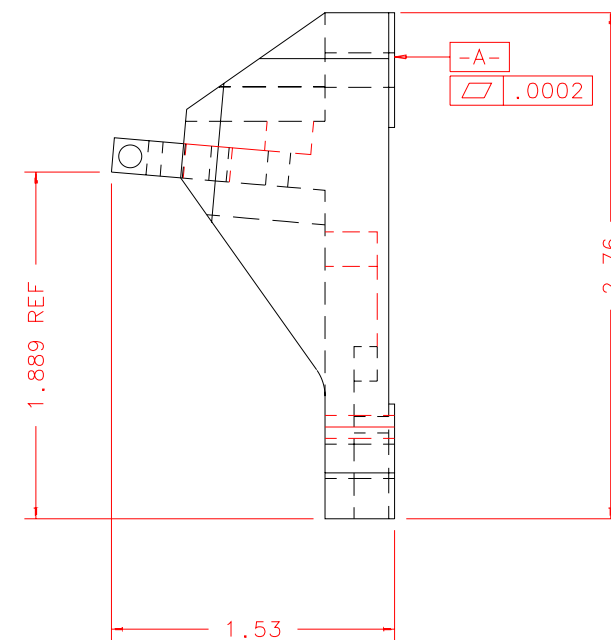
BILL OF MATERIAL				
NO.	REQ'D	REF DRW	DESCRIPTION	MATERIAL
N/A	1	SN4-018B	OAP MOUNT	ALU 6061-T6



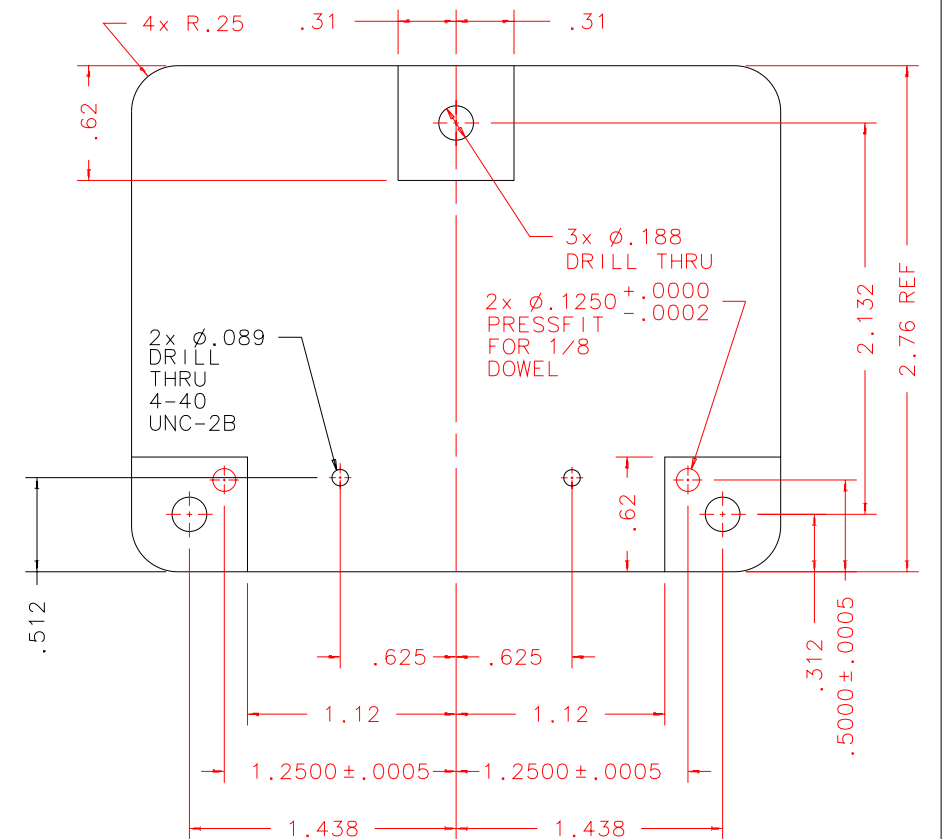
TOP: SCALE 1:1



FRONT: SCALE 1:1



RIGHT: SCALE 1:1



BACK: SCALE 1:1

REVDATE: 03/29/99	REVISION: UPDATE DRAWING, ADD ISOVIEW 10
REVDATE: 12/07/98	REVISION: UPDATE PART CHANGES
REVDATE: N/A	REVISION: N/A
DATE: 11/13/97	<b>INSTITUTE FOR ASTRONOMY</b>
DESIGN: STAHLBERGER	2680 WOODLAWN DR. HONOLULU, HI 96822
DRAWN: STAHLBERGER	INSTRUMENT: SPEX - CROSS DISPERSED SPECTROGRAPH
APPR'D: J. RAYNER	PART NAME: OAP MOUNT
<b>TOLERANCES</b>	TELESCOPE: IRTF
X.X +/- .015	
X.XX +/- .005	
X.XXX +/- .002	
ANGLE +/- 30 min	
FRACTION +/- 1/32	
SN4-001B	DRW NO: SN4-018B
NEXT ASSY	SCALE: NOTED
	SIZE: B
	JOS NO: 725
	SHEET: 1 OF 3