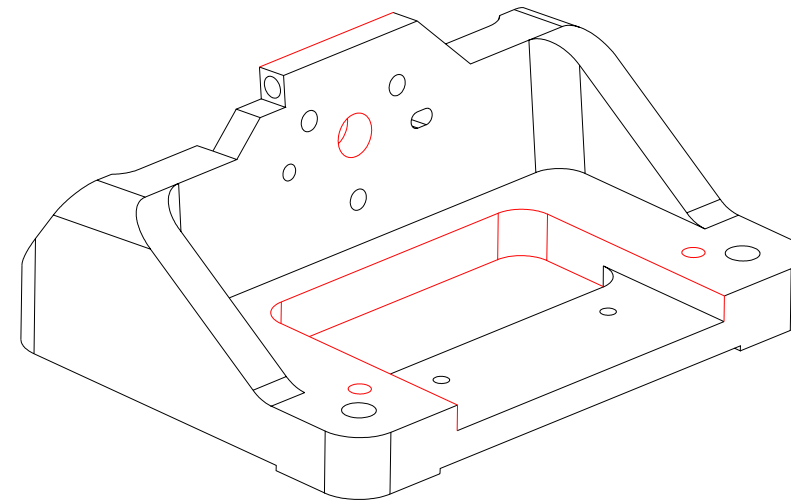
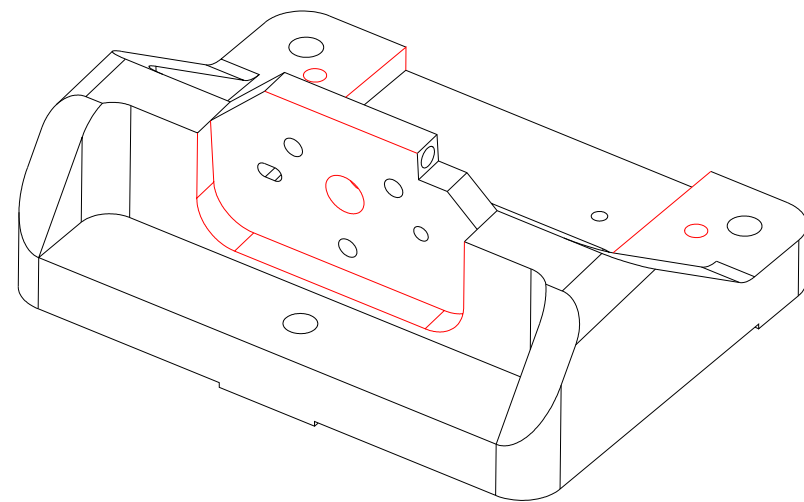


NOTES: UNLESS OTHERWISE NOTED  
 1. MACHINED SURFACE ROUGHNESS 64  
 O-RING GROOVES AND SURFACES 32  
 2. REMOVE ALL BURRS/SHARP CORNERS

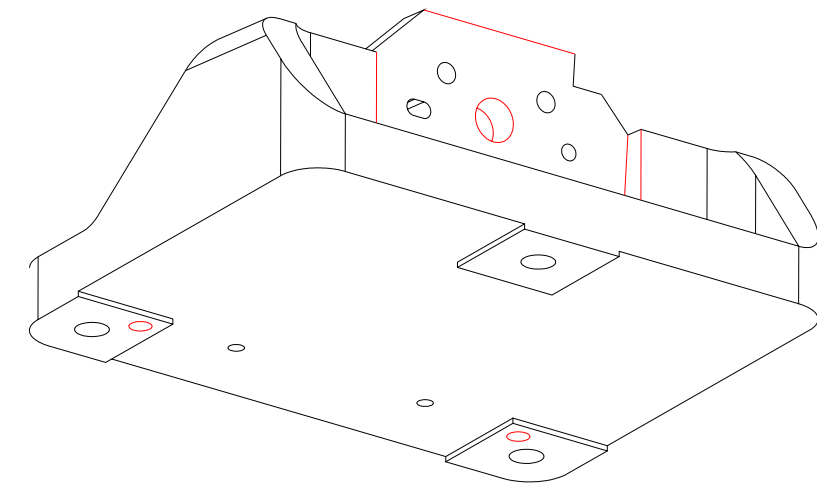
BILL OF MATERIAL				
NO.	REQ'D	REF DRW	DESCRIPTION	MATERIAL
N/A	1	SN4-018B	OAP MOUNT	ALU 6061-T6



ISOVIEW 6: SCALE FULL



ISOVIEW 10: SCALE FULL



ISOVIEW 7: SCALE FULL

REVDATE: 03/29/99	REVISION: UPDATE DRAWING, ADD ISOVIEW 10
REVDATE: 12/07/98	REVISION: UPDATE PART CHANGES
REVDATE: N/A	REVISION: N/A
DATE: 11/13/97	<b>INSTITUTE FOR ASTRONOMY</b>
DESIGN: STAHLBERGER	2680 WOODLAWN DR. HONOLULU, HI 96822
DRAWN: STAHLBERGER	INSTRUMENT: SPEX - CROSS DISPERSED SPECTROGRAPH
APPR'D: J. RAYNER	PART NAME: OAP MOUNT
<b>TOLERANCES</b>	
X.X	+/- .015
X.XX	+/- .005
X.XXX	+/- .002
ANGLE	+/- 30 min
FRACTION	+/- 1/32
DRW NO: SN4-018B	SCALE: NOTED
SIZE: B	JOS NO: 725
	SHEET: 3 OF 3

SN4-001B
NEXT ASSY

PLOT: 10/19/99