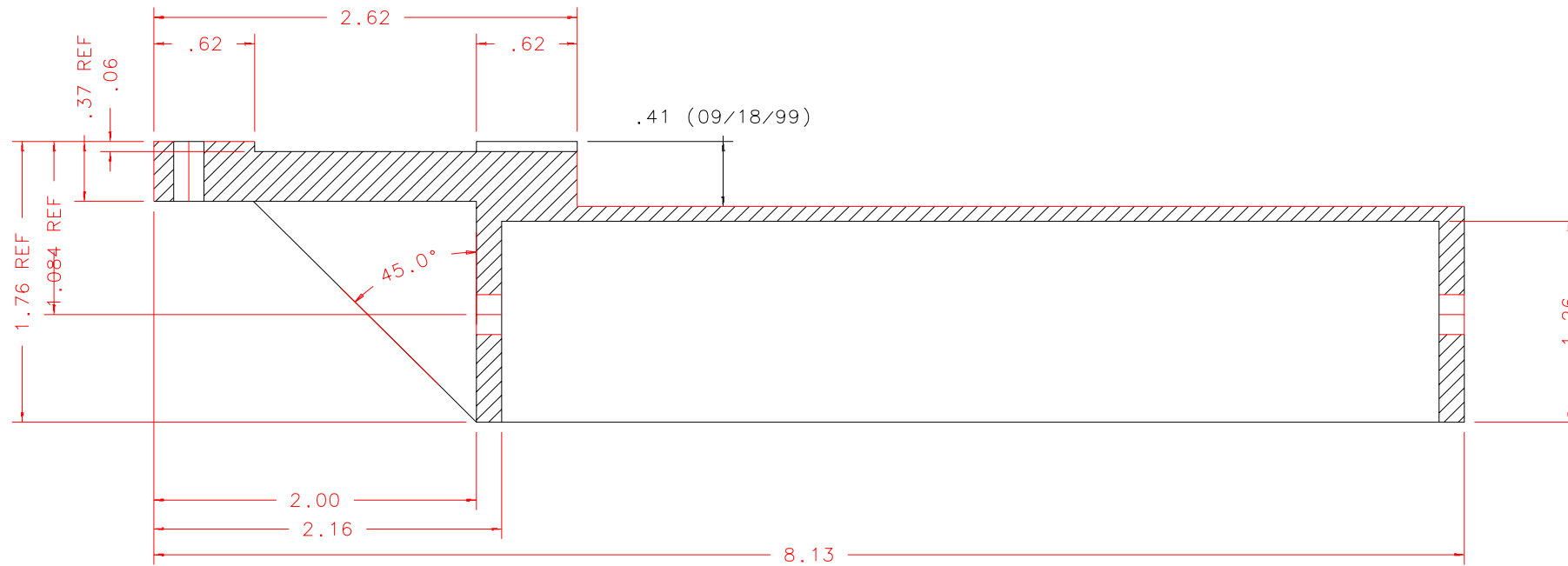
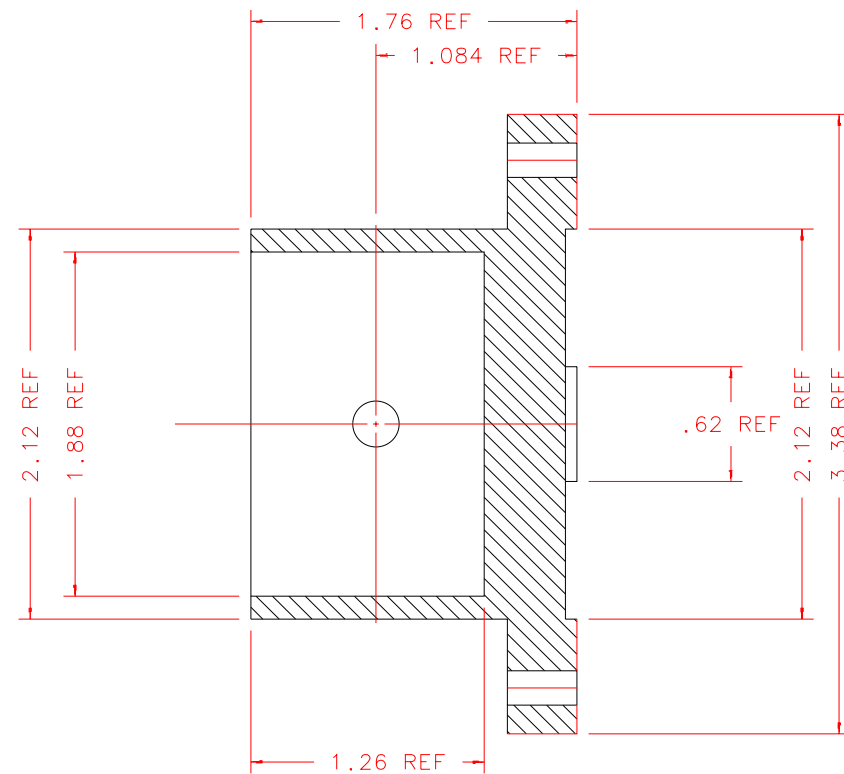


NOTES: UNLESS OTHERWISE NOTED  
 1. MACHINED SURFACE ROUGHNESS 64  
 O-RING GROOVES AND SURFACES 32  
 2. REMOVE ALL BURRS/SHARP CORNERS

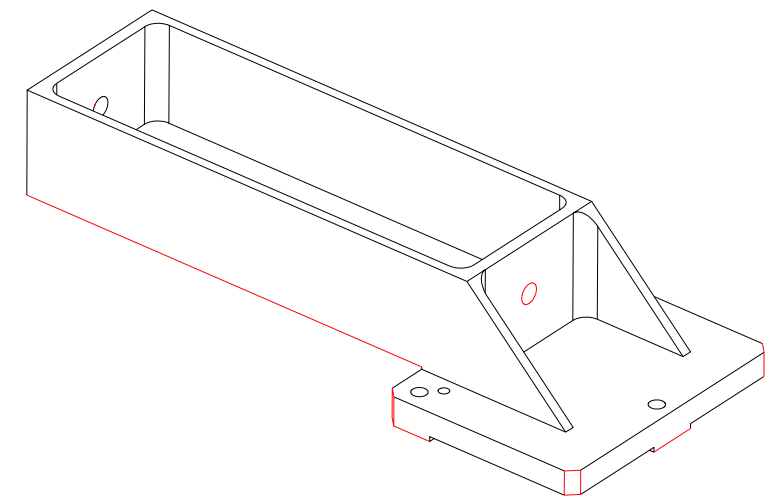
BILL OF MATERIAL				
NO.	REQ'D	REF DRW	DESCRIPTION	MATERIAL
N/A	1	SN4-023B	FLAT7 SETUP JIG	ALU 6061-T6



SECTION A-A



SECTION B-B



ISOMETRIC VIEW6:  
SCALE 1:2

PLOT: 10/19/99

SN4-001B	REVD: 09/18/99	REVISION: DIM .41 WAS .375
NEXT ASSY	DATE: 08/04/99	REVISION: N/A
	DESIGN: STAHLBERGER	<b>INSTITUTE FOR ASTRONOMY</b>
	DRAWN: STAHLBERGER	2680 WOODLAWN DR. HONOLULU, HI 96822
	APPR'D: J. RAYNER	INSTRUMENT: SPEX - CROSS DISPERSED SPECTROGRAPH
	<b>TOLERANCES</b>	PART NAME: FLAT7 SETUP JIG
	X.X +/- .015	TELESCOPE: IRTF
	X.XX +/- .005	
	X.XXX +/- .002	DRW NO: SN4-023B
	ANGLE +/- 30 min	SCALE: 1:1
	FRACTION +/- 1/32	SIZE: B
		JOS NO: 725
		SHEET: 2 OF 2