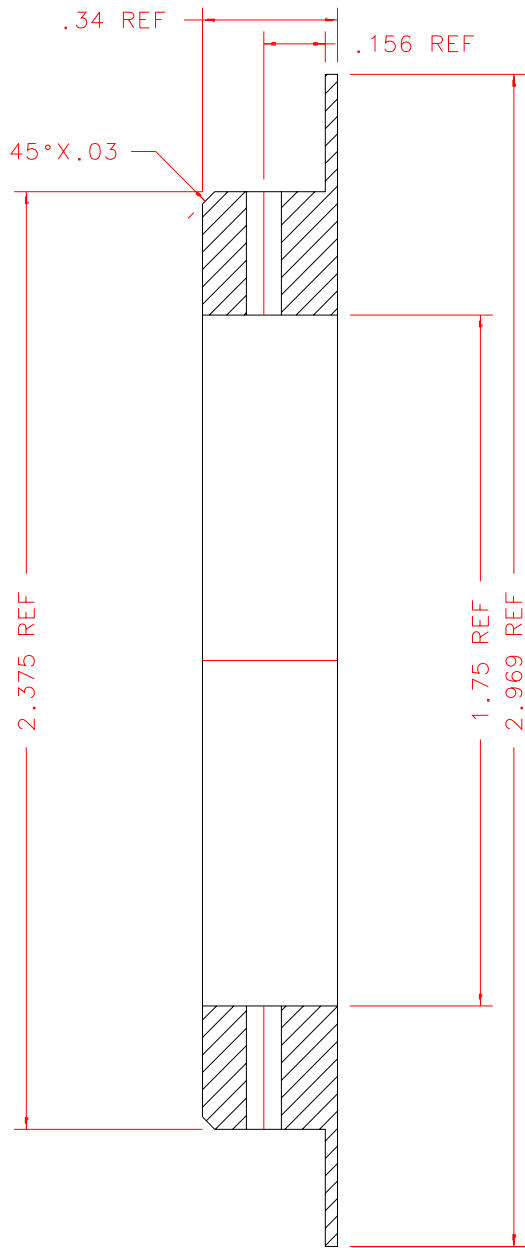


NOTES: UNLESS OTHERWISE NOTED

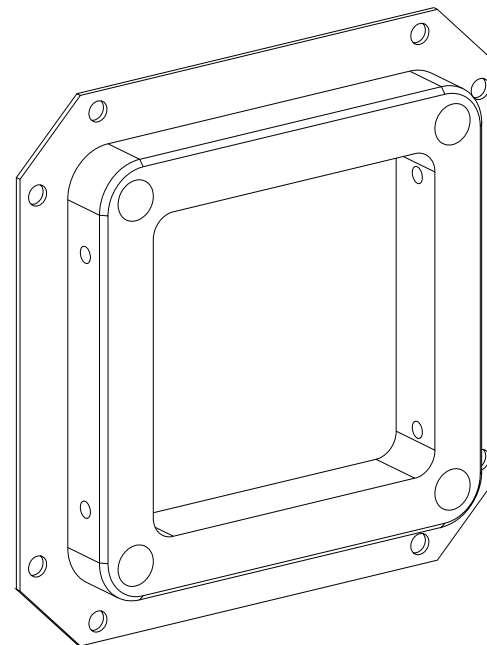
1. MACHINED SURFACE ROUGHNESS 64
O-RING GROOVES AND SURFACES 32
2. REMOVE ALL BURRS/SHARP CORNERS



.03 REF
SECTION A-A
SCALE 2:1

BILL OF MATERIAL

NO.	REQ'D	REF DRW	DESCRIPTION	MATERIAL
N/A	1	SN5-011A	BAFFLE BASE PLATE	ALU 6061-T6



ISOVIEW
SCALE FULL

REVDATE: N/A	REVISION: N/A
DATE: 11/15/97	INSTITUTE FOR ASTRONOMY
DESIGN: STAHLBERGER	2680 WOODLAWN DR. HONOLULU, HI 96822
DRAWN: STAHLBERGER	INSTRUMENT: SPEX - CROSS DISPERSED SPECTROGRAPH
APPR'D: J. RAYNER	PART NAME: BAFFLE BASE PLATE
TOLERANCES	
X.X	+/- .015
X.XX	+/- .005
X.XXX	+/- .002
ANGLE	+/- 30 min
FRACTION	+/- 1/32
DRW NO: SN5-011A	SCALE: 1:1
SIZE: A	JOS NO: 725
SHEET: 2 OF 2	

SN5-001B
NEXT ASSY

PLOT:10/19/99