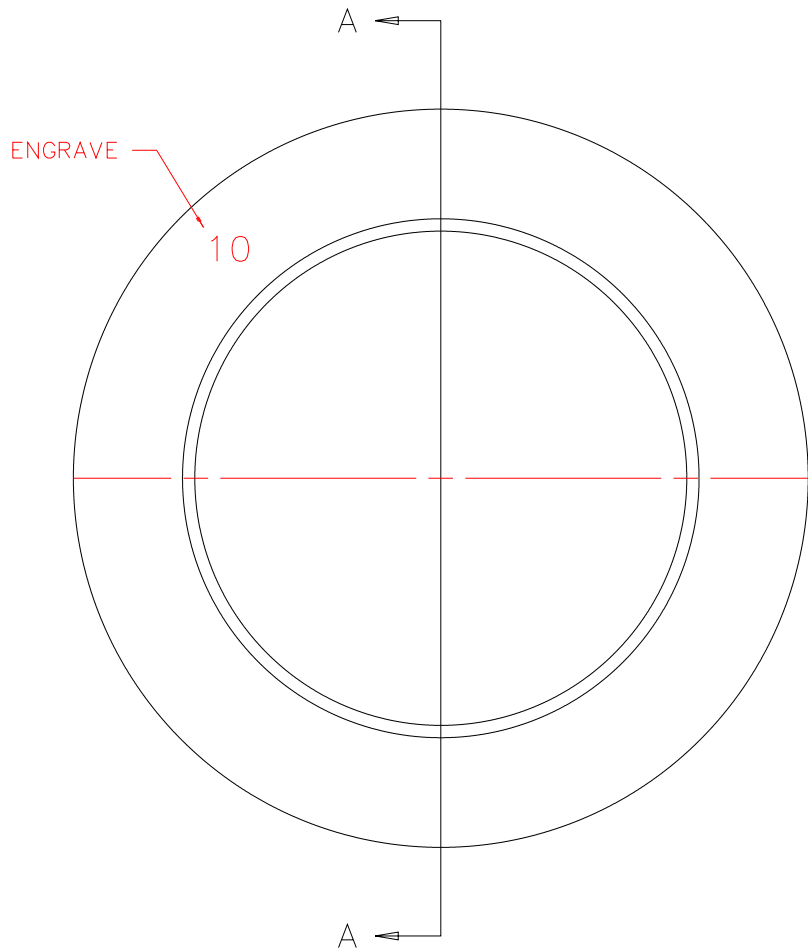


NOTES: UNLESS OTHERWISE NOTED

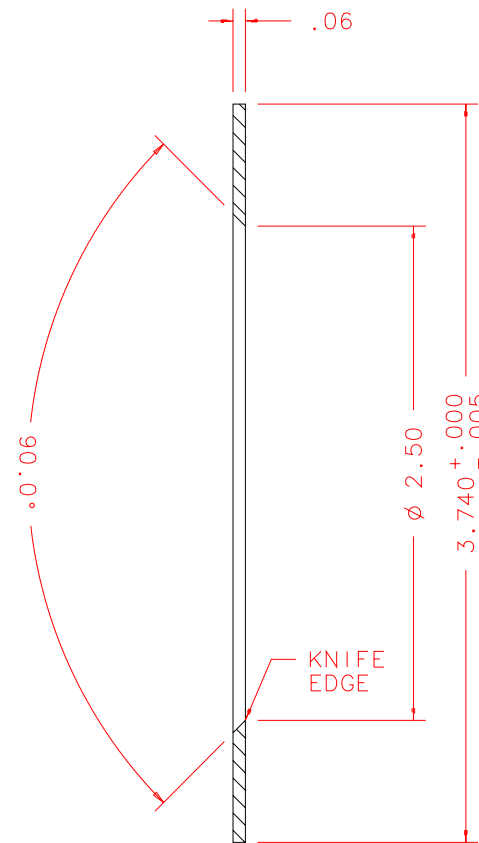
1. MACHINED SURFACE ROUGHNESS 64  
O-RING GROOVES AND SURFACES 32
2. REMOVE ALL BURRS/SHARP CORNERS

BILL OF MATERIAL

| NO. | REQ'D | REF DRW  | DESCRIPTION | MATERIAL    |
|-----|-------|----------|-------------|-------------|
| N/A | 1     | SN5-013A | BAFFLE NO10 | ALU 6061-T6 |



FRONT



SECTION A-A

|                     |   |
|---------------------|---|
| REVDATE: N/A        | REVISION: N/A                                   |
| DATE: 11/18/97      | <b>INSTITUTE FOR ASTRONOMY</b>                  |
| DESIGN: STAHLBERGER | 2680 WOODLAWN DR. HONOLULU, HI 96822            |
| DRAWN: STAHLBERGER  | INSTRUMENT: SPEX - CROSS DISPERSED SPECTROGRAPH |
| APPR'D: J. RAYNER   | PART NAME: BAFFLE NO10                          |
| <b>TOLERANCES</b>   | TELESCOPE: IRTF                                 |
| X.X +/- .015        | DRW NO: SN5-013A                                |
| X.XX +/- .005       | SCALE: 1:1                                      |
| X.XXX +/- .002      | SIZE: A   |
| ANGLE +/- 30 min    | JOS NO: 725                                     |
| FRACTION +/- 1/32   | SHEET: 1 OF 1                                   |

|           |
|-----------|
| SN5-001B  |
| NEXT ASSY |

PLOT:10/19/99