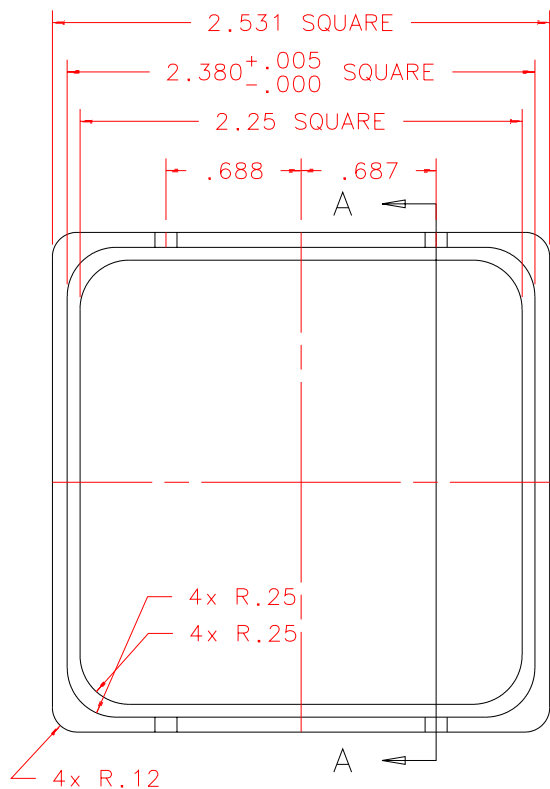


NOTES: UNLESS OTHERWISE NOTED

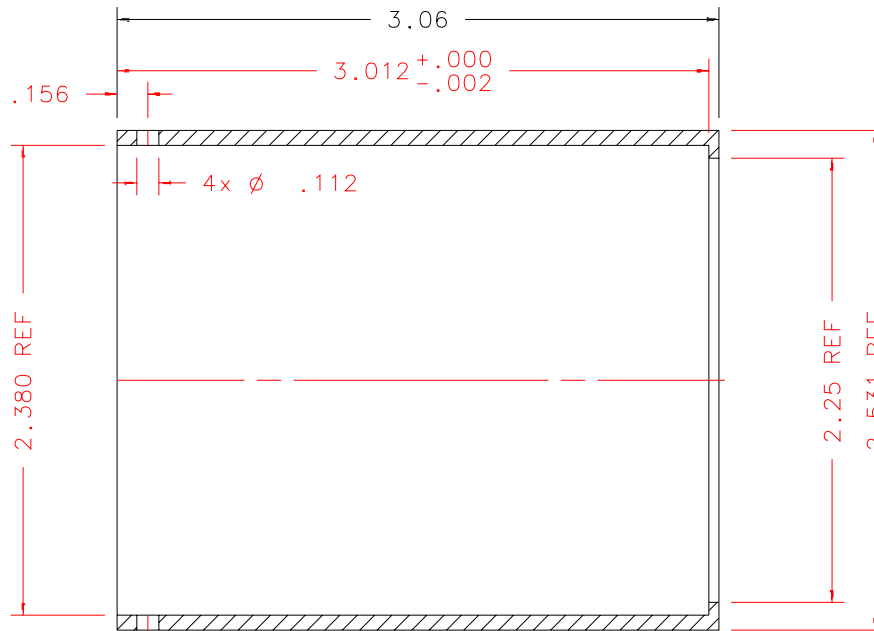
1. MACHINED SURFACE ROUGHNESS 64  
O-RING GROOVES AND SURFACES 32
2. REMOVE ALL BURRS/SHARP CORNERS

BILL OF MATERIAL

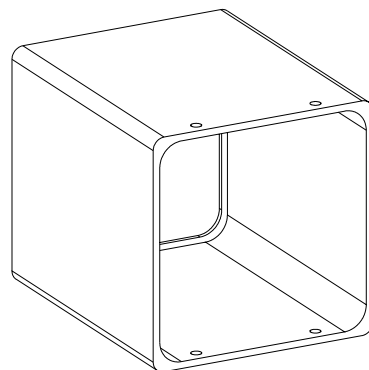
NO.	REQ'D	REF DRW	DESCRIPTION	MATERIAL
N/A	1	SN5-032A	ENLARGED BAFFLE TUBE	ALU 6061-T6



FRONT



SECTION A-A



ISOVIEW  
SCALE 1/2

REVDATE: 10/13/98	REVISION: DIM 3.06 WAS 3.09
REVDATE: N/A	REVISION: N/A
DATE: 11/15/97	<b>INSTITUTE FOR ASTRONOMY</b> 2680 WOODLAWN DR. HONOLULU, HI 96822
DESIGN: STAHLBERGER	
DRAWN: STAHLBERGER	INSTRUMENT: SPEX - CROSS DISPERSED SPECTROGRAPH PART NAME: ENLARGED BAFFLE TUBE TELESCOPE: IRTF
APPR'D: J. RAYNER	
<b>TOLERANCES</b>	
X.X	+/- .015
X.XX	+/- .005
X.XXX	+/- .002
ANGLE	+/- 30 min
FRACTION	+/- 1/32
DRW NO: SN5-032A	SCALE: 1:1
SIZE: A	JOS NO: 725
SHEET: 1 OF 1	

PLOT: 10/19/99

SN5-001B
NEXT ASSY