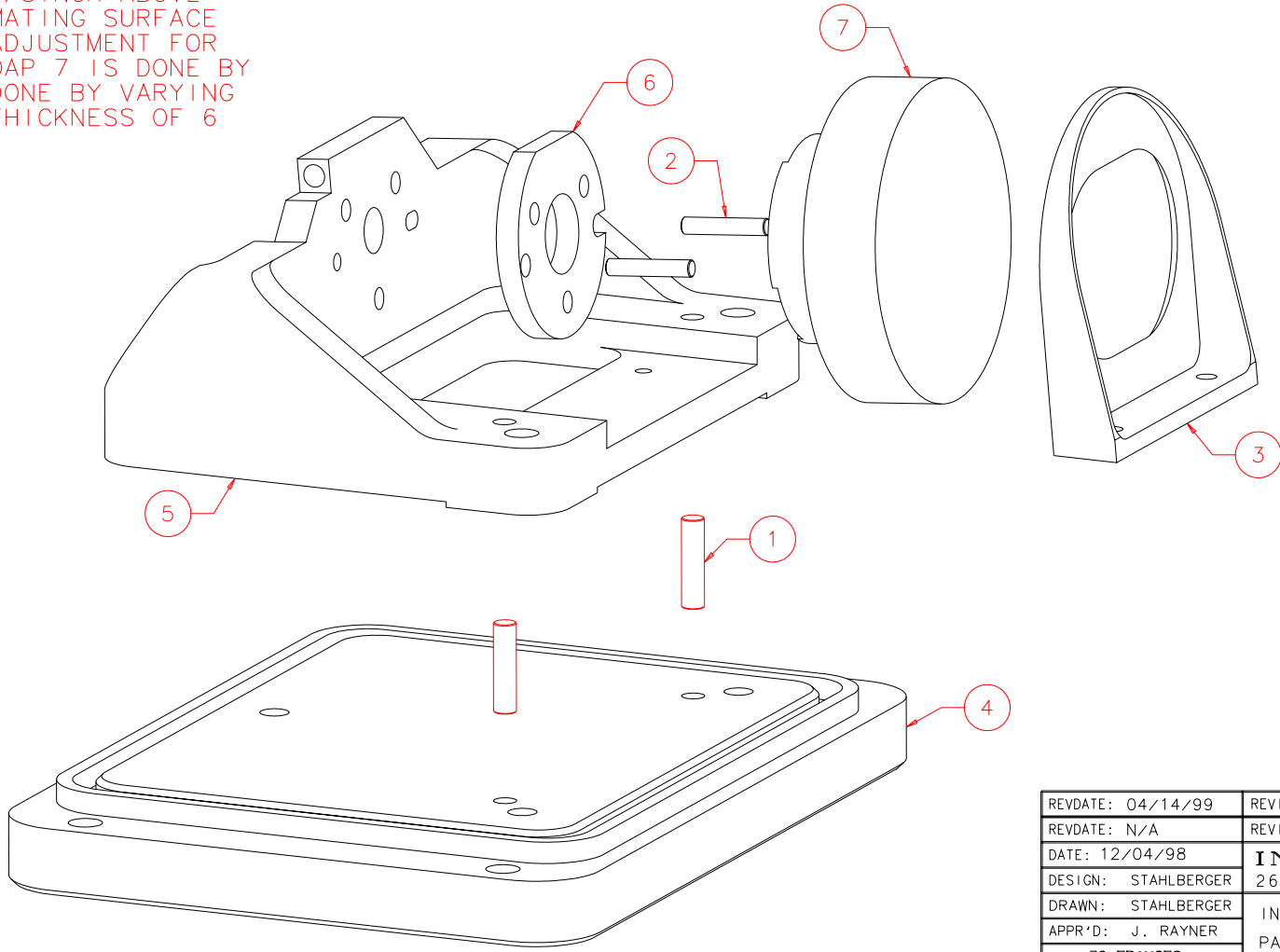


NOTES: UNLESS OTHERWISE NOTED

1. MACHINED SURFACE ROUGHNESS 64
O-RING GROOVES AND SURFACES 32
2. REMOVE ALL BURRS/SHARP CORNERS

ASSEMBLY NOTES:

- A) SLIP FIT 2
TO 7
- B) PRESS FIT 1
TO 5, PIN
TO PROTRUDE
1/8 INCH ABOVE
MATING SURFACE
- C) ADJUSTMENT FOR
OAP 7 IS DONE BY
DONE BY VARYING
THICKNESS OF 6



EXPLODED VIEW: SCALE FULL

BILL OF MATERIAL				
NO.	REQ'D	REF DRW	DESCRIPTION	MATERIAL
N/A	1	SN6-001A	OAP	N/A
1	2	N/A	DOWEL PIN 1/8 x .50	STAINLESS
2	2	N/A	DOWEL PIN 3/32 x .50	STAINLESS
3	1	SN4-017A	OAP BAFFLE	ALU 6061-T6
4	1	SN4-022A	OAP BASE PLATE	ALU 6061-T6
5	1	SN4-018B	OAP MOUNT	ALU 6061-T6
6	1	SN4-019A	OAP SPACER	ALU 6061-T6
7	1	N/A	OAP SUBSTRATE SSG 1352005	ALU 6061-T6

PLOT: 10/19/99

SNO-001B
NEXT ASSY

REVDATE: 04/14/99	REVISION: UPDATE DRAWING
REVDATE: N/A	REVISION: N/A
DATE: 12/04/98	INSTITUTE FOR ASTRONOMY 2680 WOODLAWN DR. HONOLULU, HI 96822
DESIGN: STAHLBERGER	
DRAWN: STAHLBERGER	
APPR'D: J. RAYNER	
TOLERANCES	
X.X	+/- .015
X.XX	+/- .005
X.XXX	+/- .002
ANGLE	+/- 30 min
FRACTION	+/- 1/32
INSTRUMENT: SPEX - CROSS DISPERSED SPECTROGRAPH	
PART NAME: OAP	
TELESCOPE: IRTF	
DRW NO: SN6-001A	SCALE: NOTED
SIZE: A	JOS NO: 725
SHEET: 1 OF 2	